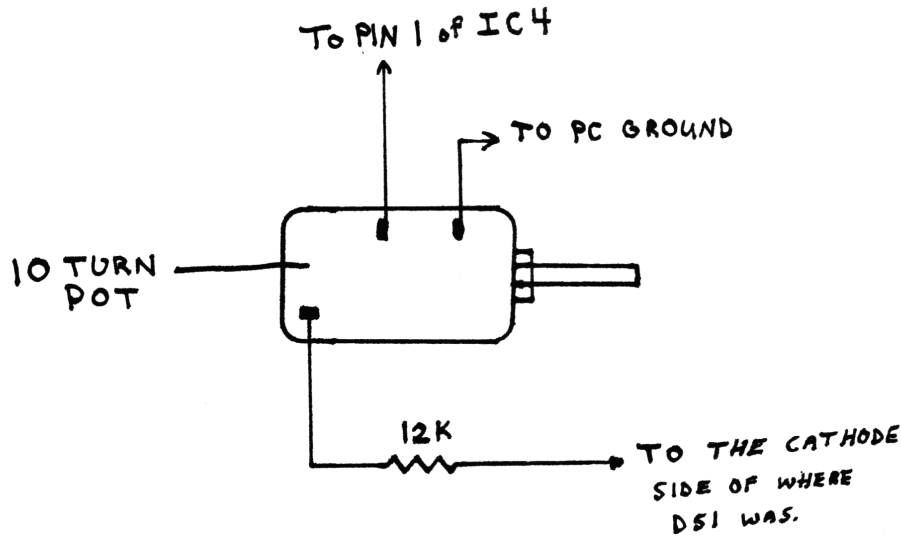


## HOW TO HOOK UP A 10T POT TO 2000GTL

1. Remove FVL/CVL and tape all loose wires. Replace with a 10 Turn Pot. (Secret CB Item #46).
2. Remove D51.
3. Wire up pot as shown:



4. Clip D52.

TRY SECRET CB'S VSB-1 (VOICE SIGNAL BOOSTER) AND YOU'LL BE GLAD YOU DID! WORKS GREAT IN THE COBRA 2000.

