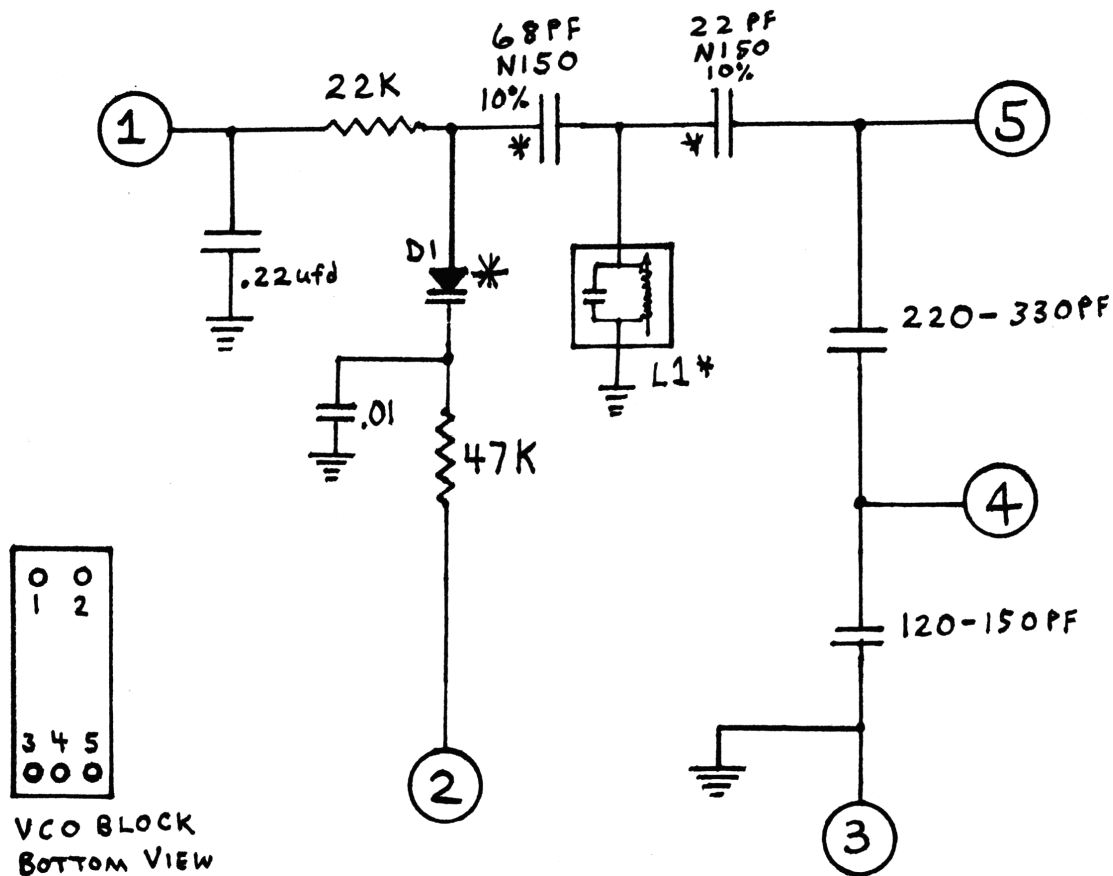


CYBERNET O2A CHASSIS

The VCO block in this Chassis is encapsulated in plastic and replacements are not readily available for some units. Don't fret, as now you can build your own on a piece of perf board. Here is the schematic.



- * Use only N150 type Capacitors.
- * L1 is an 18MHz coil (Secret CB Item #127).
- * D1 is an MV201 or use a super diode (Secret CB Item #28).