

NEW THUMBWHEEL CONVERSION WITH TRUE READOUT FOR 858 CHASSIS

1. Wire up five 10 position BCD type thumbwheel switches* as shown in FIGURE 1.
 2. The mixer crystals will have to be changed also. Order 11.269133; 11.268333; 11.267533. Replace the 11.2842 with the 11.267533. Replace the 11.2850 with the 11.268333. Replace the 11.2858 with the 11.269133.
- If you prefer LED readout in addition to the above, you will need three TTL7447 7 segment decoder/drivers and five FND507 or equivalent Common Anode LED's.
- Wire as shown in FIGURE 2.

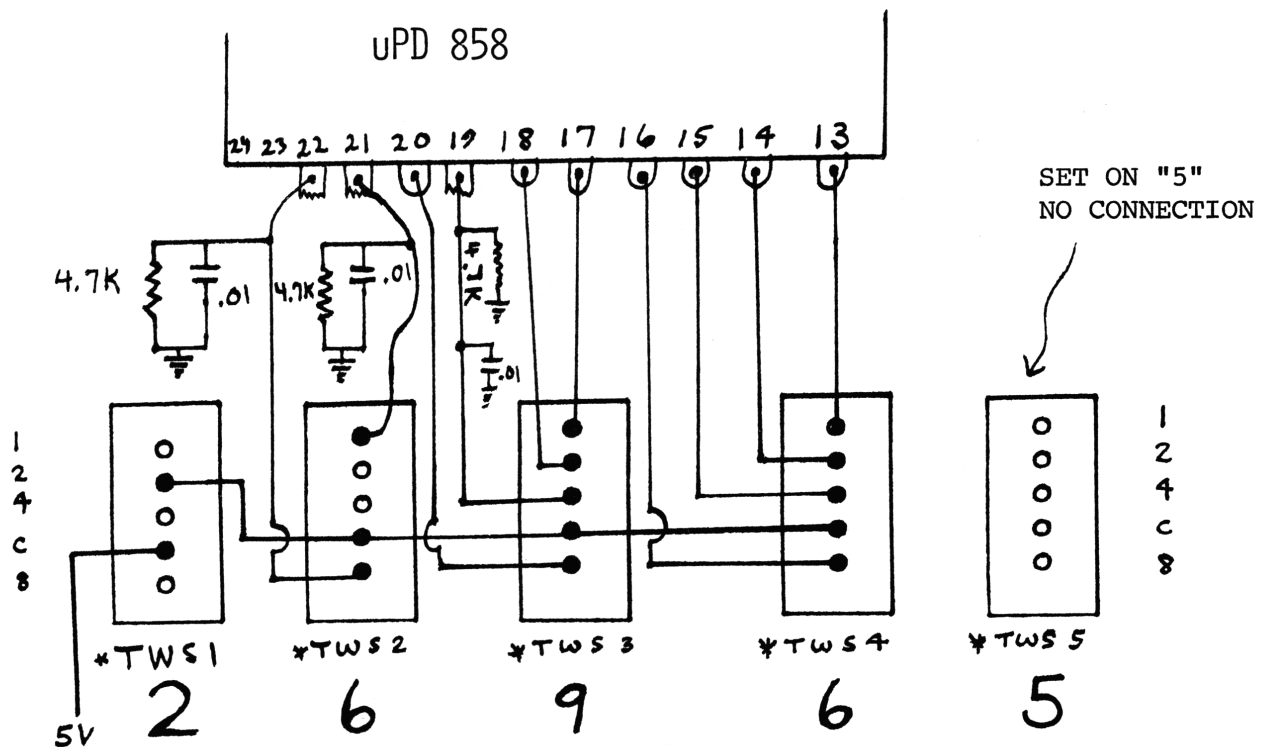


FIGURE 1

NOTE: TWS1 and TWS5 can be replaced with BLANK BODY sections for lower cost. A "2" and a "5" can be stenciled on with white rub on letters.

For Thumbwheel Switch Complete ask for Secret CB Item #129.

NEW THUMBWHEEL CONVERSION WITH TRUE READOUT FOR 858 CHASSIS (Cont.)

Lets say our thumbwheels read 26.975, first we will "hard wire" the "2" and the "5" as these will never change. (LED 1 and LED 5)

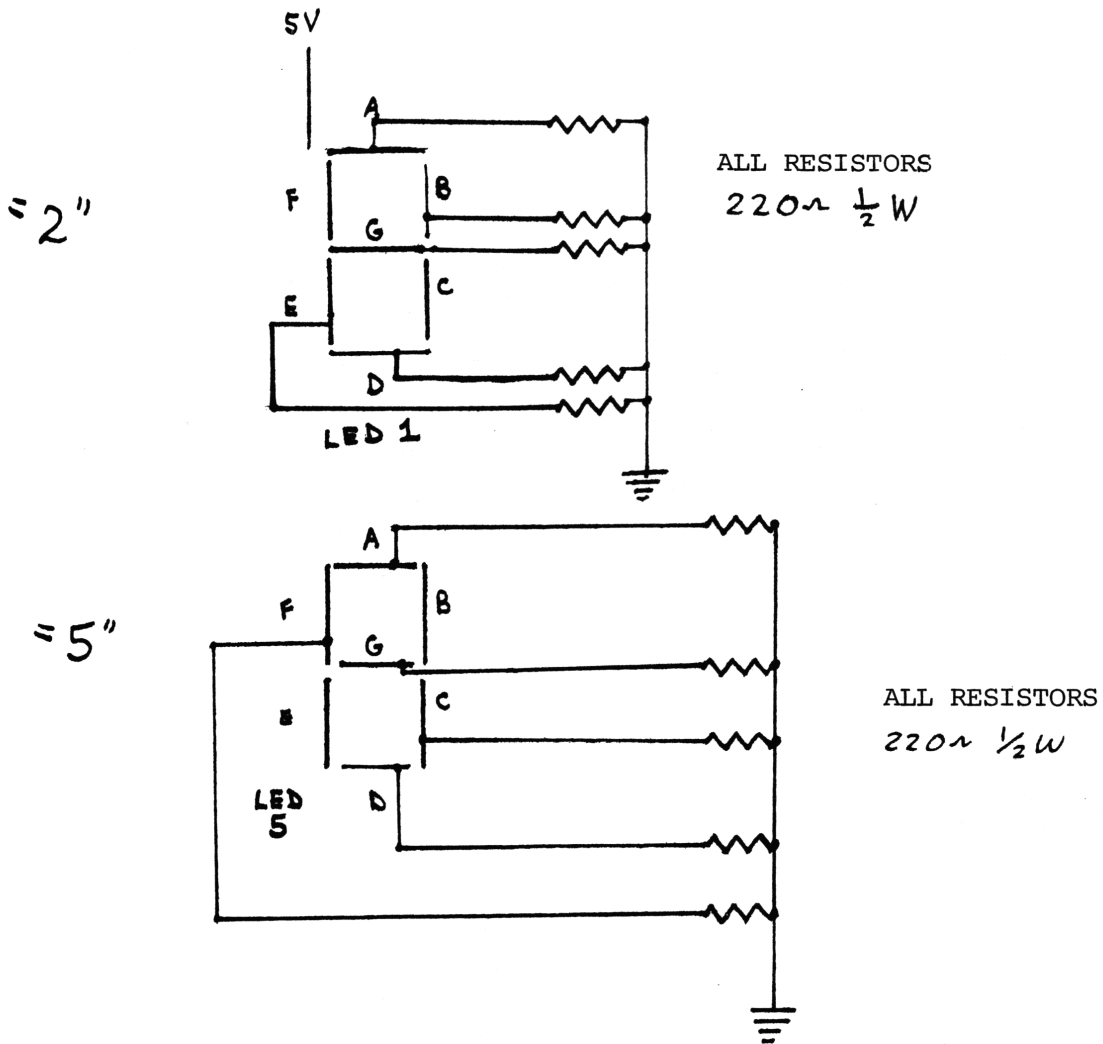
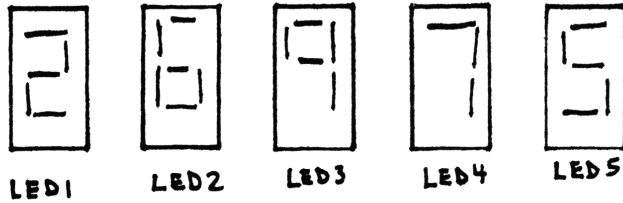


FIGURE 2

NEW THUMBWHEEL CONVERSION WITH TRUE READOUT FOR 858 CHASSIS (Cont.)

Next we will wire LEDs 2, 3, and 4.

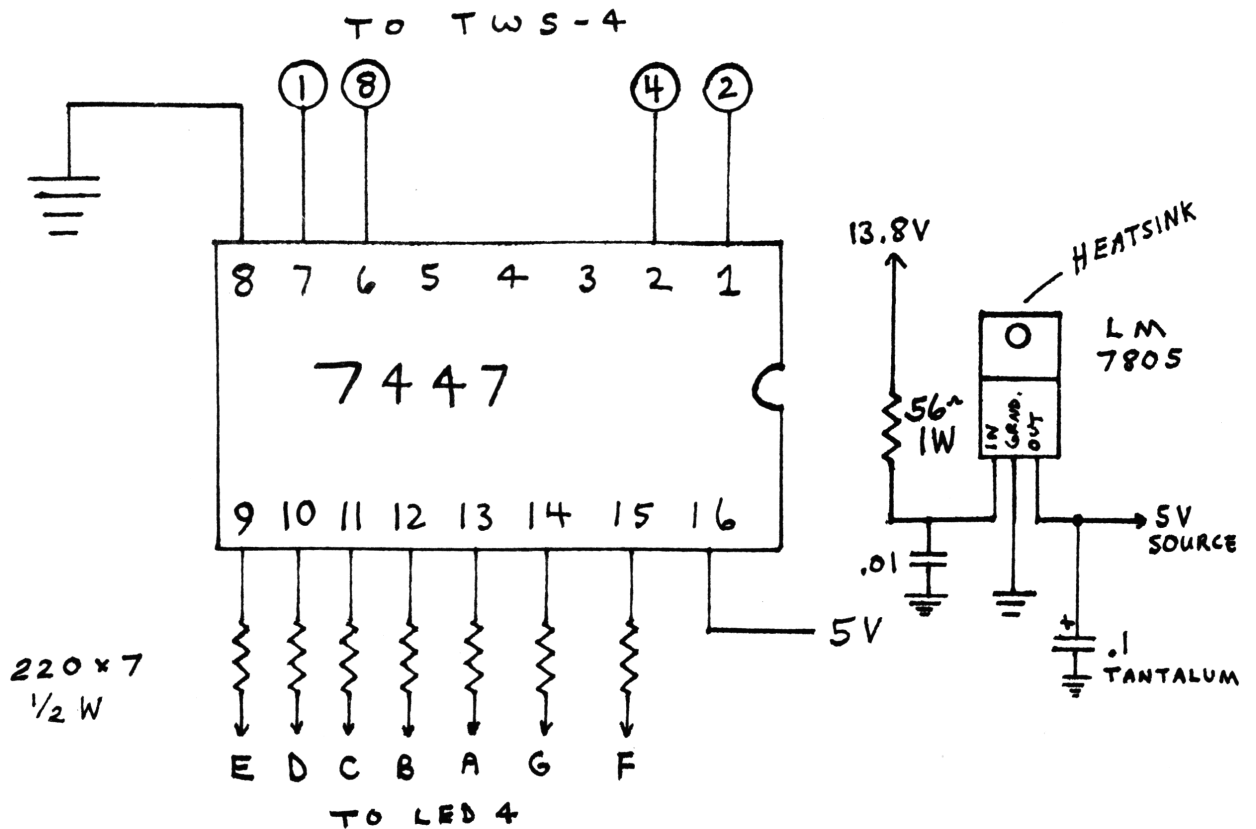


FIGURE 3

Build a duplicate of the above circuit and wire to TWS 3 and LED 3. Build another duplicate and wire to TWS 2 and LED 2. If you want the display to read 26.975, connect a 220 resistor from the decimal point to ground.

