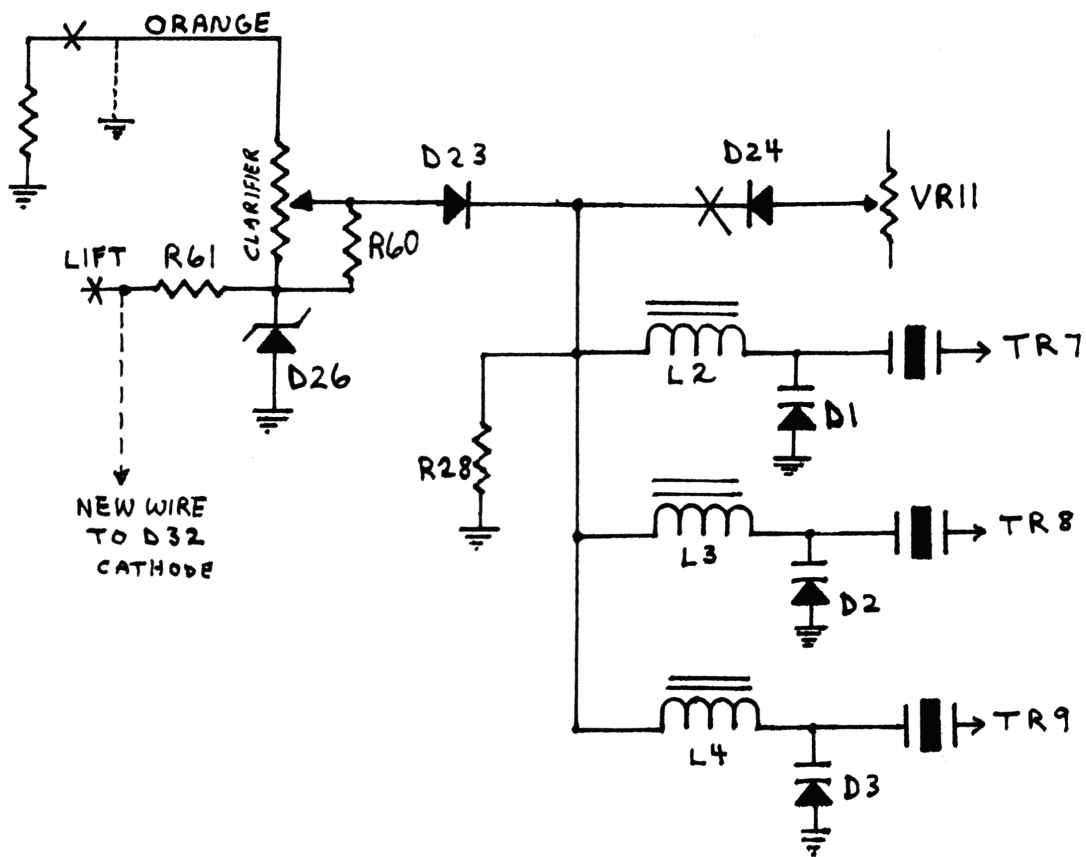


# FANON FANFARE 350F 858 CHIP

## SLIDER:

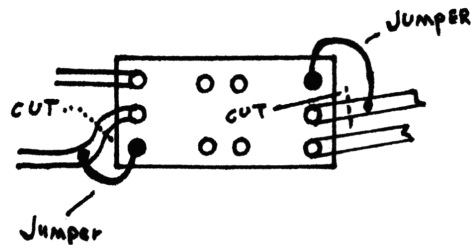
1. Clip D24.
2. Lift end of R61 opposite R60.
3. Solder a wire onto the lifted end of R61.
4. Solder the other end to cathode of D32 zener.  
This supplies 9 volts to the clarifier.
5. Remove D26 zener and discard.
6. Replace D26 above with an 8.2V zener.
7. Locate Orange wire on clarifier.
8. Cut Orange wire loose from pc board and ground it.
9. Remove R28 (4.7K) and replace with a 1K.



FANON FANFARE 350F 858 CHIP cont'd.:

WIDEBANDING:

Do the following mod. to T10 on the foil side of pc board.



RX ADJ:

Peak T4,T3,T5,T6,T7,T2,T1.

VR15 A.G.C.

VR3 Local Adjustment.

VR2 Squelch Range.

VR1 S Meter.

TX ADJ:

Peak T13,T10,L10,L7.

VR6 AM Power Adj.

VR8 AMC Adj.

VR4 Carrier Null.

VR7 SSB ALC.

VR9 RF Power Meter.