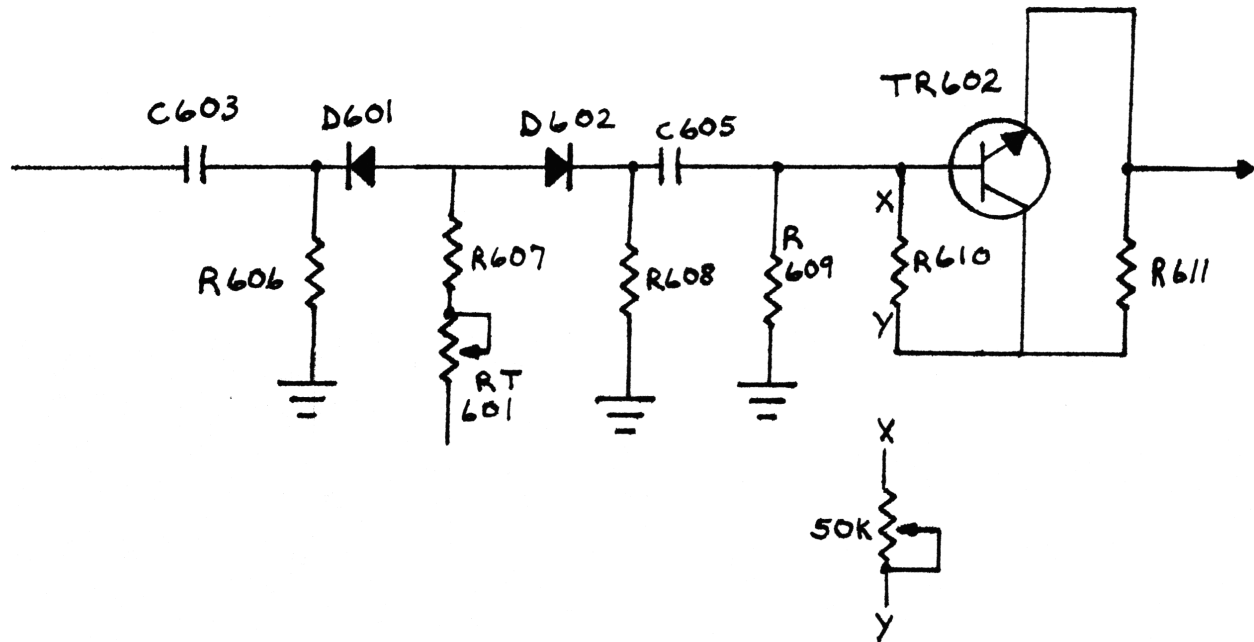


CENTURIAN 40D SSB
MODULATION INCREASE



1. Remove R606 (10K).
2. Remove R607 (100K).
3. Remove RT601 (100K Trimmer).
4. Remove R608 (10K).
5. Remove D601 and install a solid wire jumper in its place.
6. Remove D602 and install a solid wire jumper in its place.
7. Remove R610 and install a 50K Trimmer Resistor in its place. Adjust for 3VDC on base of TR602.

NOTE: R610 was 56K. with pot adjusted, R=16K.