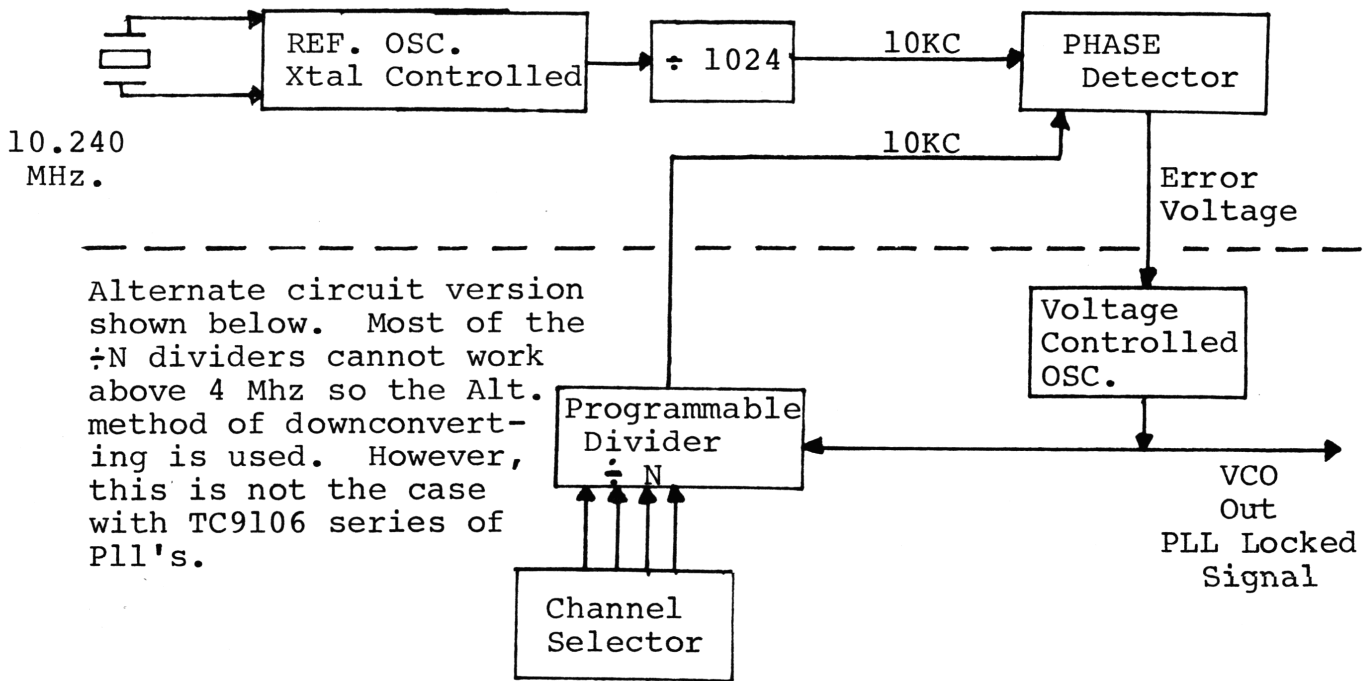


BASIC PLL



Alternate circuit version shown below. Most of the ÷N dividers cannot work above 4 Mhz so the Alt. method of downconverting is used. However, this is not the case with TC9106 series of PLL's.

ALT.

