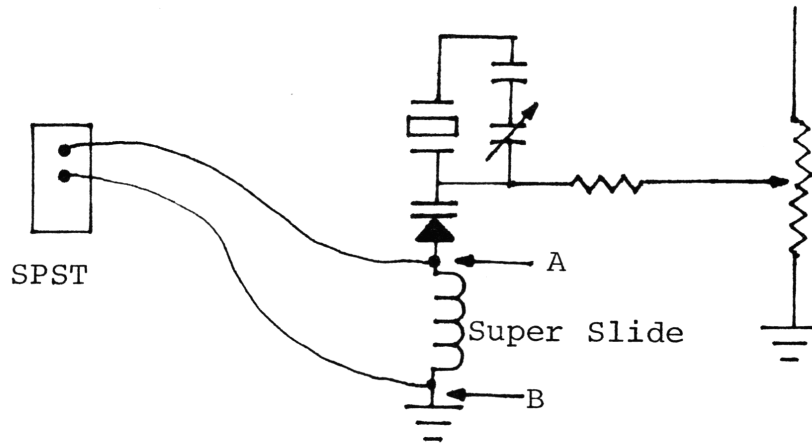
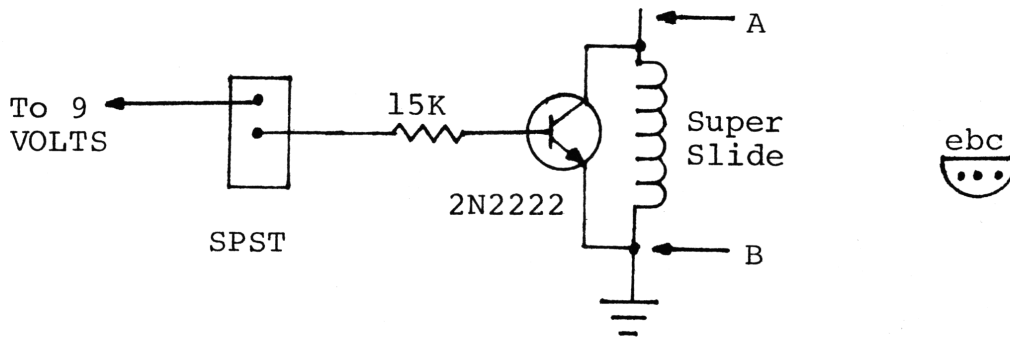


DUAL RANGE CLARIFIER FOR SEARS ROADTALKER SM5104 CHASSIS



This method didn't work due to lead length. We overcame this by using a transistor for switching, located next to the Super Slide as shown here:



If you ground Pin 5 along with Pins 9 and 10 of the PLL Chip, you will obtain low frequency in 5 KC steps. For high frequency replace crystals X301 and X302.