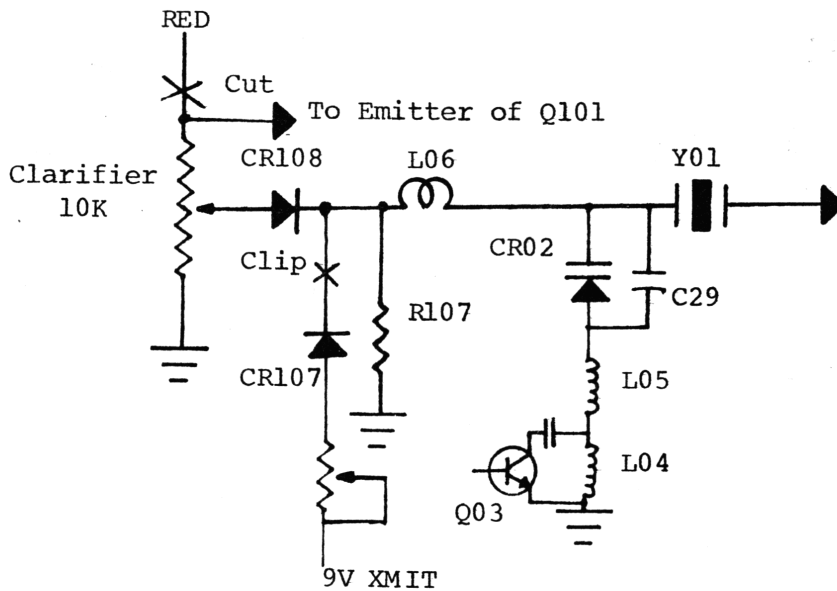


N.D.I. PC-201 (NDC40013 PLL)

- RX: R517 AGC
 R518 Squelch Range
 R507 S Meter
 R103 Auto. Dimmer
 R912 Scan Sensitivity Range
- TX: Peak T701, T702, L702, L704, L706, L709 for Max.
 R207 AM Power
 R217 AMC
 R616 Balance Bias-adjust for 2.68V @ IC601, Pin 7.
 R611 Carrier Balance
 R721 SSB ALC
 R726 RF Power Meter
 R723 SWR Zero
 R53 SWR Call-adjust for .25V @ IC51, Pin 9.
 R61 SWR Meter-adjust for 3 Volts @ 150 OHM Dummy Load.
 R62 A.W.I.-adjust so light comes on with 150 OHM Load.



1. Cut Red wire off of end of clarifier.
 2. Run a new wire from clarifier to emitter of Q101.(9V).
 3. Clip CR107.
- Unit Now Slides.