

## "OOPS, WE GOOFED"

Vol. 8, Page 52;

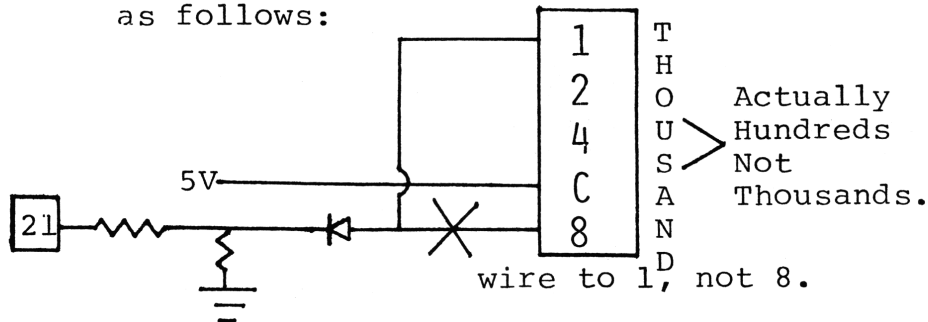
Under switch 2, D should read: "Gray wire that was at B.S. J."

Vol. 7, Page 53; Realistic TRC-425. Do not cut collector of Q509. AMC; VR8. SQ Range; VR5. RF Gain Range; VR1. S Meter; VR3. RF Meter; VR11.

Vol. 7, Page 43; 200 channel conversion. Switch designations should be: Gr--Yw--Rd, not Yw--Gr--Rd.

Vol 3. Page 25; CPI 2000 (80 channel conversion). IC marked in drawing for 5KC drop is really IC-G, not IC-C. Pinout is correct.

Vol 6, Page 32, and Vol 7, Page 63; Thumbwheel 200 Channel Update. Thumbwheel switches are BCD type. Also, the switch marked "Thousands", should be connected as follows:



Also, the method of channel entry is in a code from 000-199 as shown on page 34 of Vol 6. You can't dial in "785" for 27.785. Rather, you must dial in "173" as per chart. The Tens, Hundreds, Thousands should really be Ones, Tens, Hundreds. Note: The thousands switch could be a simple SPST switch instead of the more expensive thumbwell type.

Vol. 10, Page 2; 20 mile simulator has been eliminated from The Trouble Shooter because of unavailability of special parts.