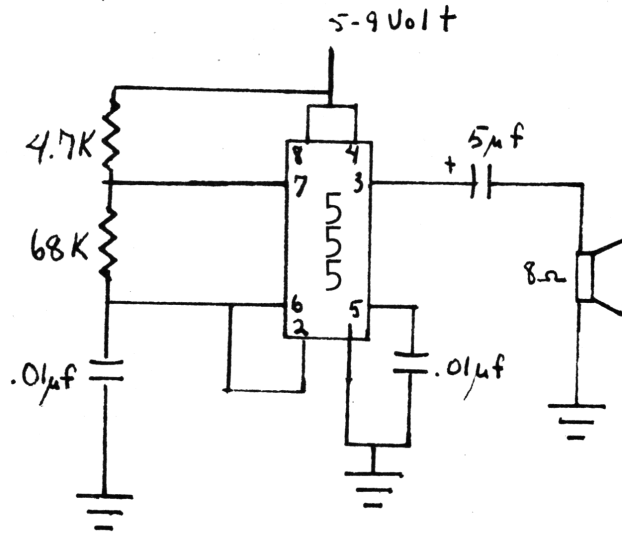


EASY-TO-BUILD CIRCUIT

E-Z 1000Hz. Tone



Parts List:

- | | |
|---|--------------------------------------|
| 1 | 4700 ohm $\frac{1}{4}$ watt res. |
| 1 | 68K ohm $\frac{1}{4}$ watt res. |
| 2 | .01 μ fd disc |
| 1 | 5 μ fd Electrolytic Cap. 16 Volt |
| 1 | NE 555 IC |
| 1 | 8 ohm impedance 3" Speaker |
| 1 | 9 Volt Battery |

IF you want to have some fun? - replace the 68K fixed resistor with a 100K variable resistor to have a wide range of tones. Also, the capacitor off of pin 6 to ground can be changed for different tones.