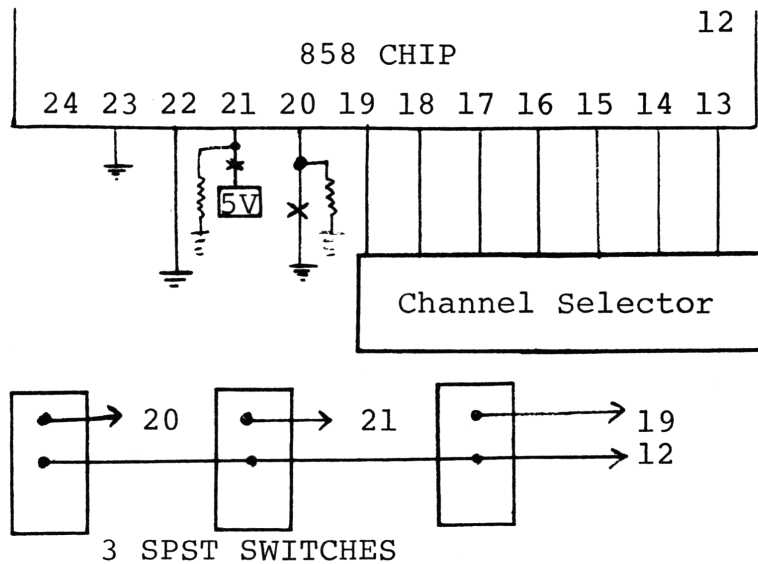


uPD 858 PLL AM CONVERSION INSTRUCTIONS

Somehow the AM frequency modification for the uPD 858 PLL Chip never did get into print, so here it is.



1. Isolate pin 20 from ground by cutting the pc trace.
2. Solder a 4.7k resistor from pin 20 to ground.
3. Cut trace on pin 21 and add a 4.7k resistor to ground.
4. Wire up switches and connect to pins 12, 19, 20 and 21 as diagramed above.

Taking pin 21 low will drop frequencies by 1 MC.
With pins 19, 20, & 21 High, channel 1 will be 27.365 and channel 26 will be 27.665. 27-40 remain normal.
With pin 20 and 21 high, 19 low, channel 27 becomes 27.675 and channel 40 is 27.805.
If you take pin 20 high, channel 1 will be 27.765, channel 8 will be 27.855 and channel 25 will be 27.845. 27-40 will remain normal. In order to get the extra channels, the VCO and transmitter will have to be readjusted. Check the schematic for the coil numbers on your particular set.