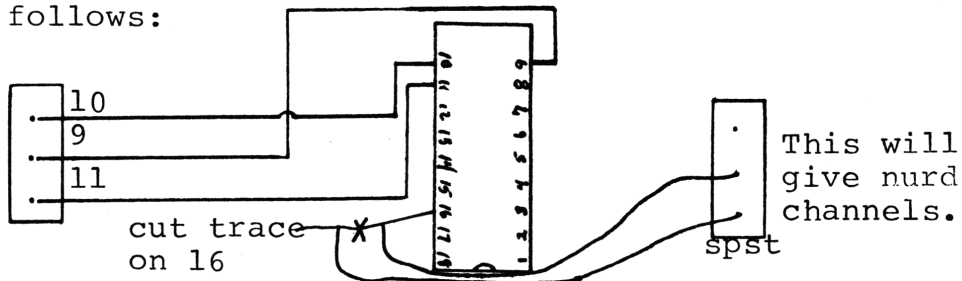


REALISTIC TRC 448 REC86345 PLL

1. Obtain a SPDT center off switch.

2. Wire as follows:



This unit uses a separate VCO for USB/AM and LSB. Adjust TC3 on USB/AM and TC2 on LSB.

VR4 SSB Modulation

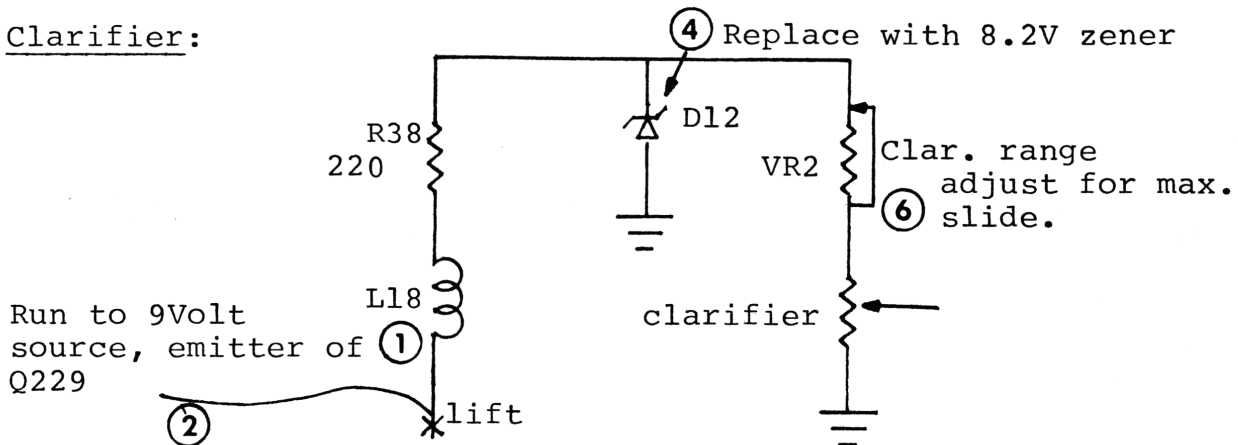
VR5 AMC

VR204 SSB ALC

VR210 AM Power

Adjust T201, T202, T203, T204, T205, T206, L207, L208, for maximum RF output and frequency range.

Clarifier:



1. Lift end of L18 opposite R38.
2. Solder wire from this end to emitter of Q229 (+ end of C368).
3. Lift D15.
4. Replace D12 with 8.2Volt zener diode.
5. For more slide, change D11, and D17 to Super Diodes.
6. Adjust VR2, for maximum slide.