

MIDLAND 6001-7001 UPD2816C CHIP

This can be modified in two ways.

PLL Conversion-

1. Unground pin 9 for low frequencies 26.510-26.950.

Note: No time to round up a radio and try this but here it is- check it out for yourself. Unground pin 20, and check the results.

Xtal Change-

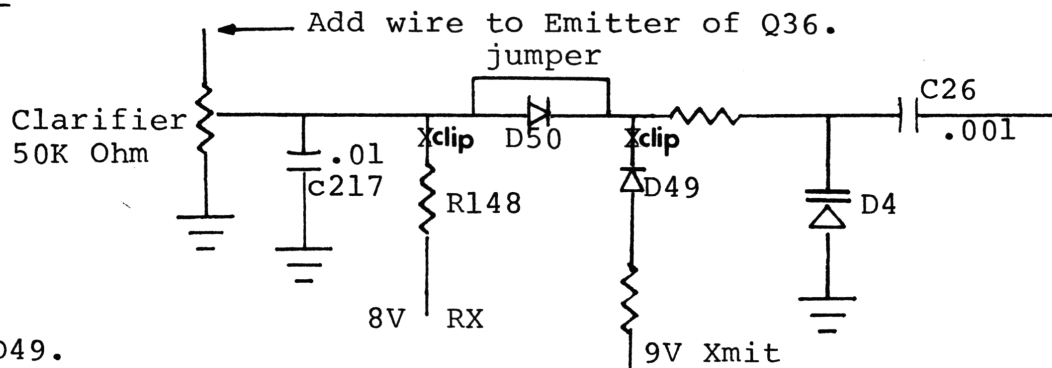
1. Remove X2, 10.4667MHz doubler cut Xtal.
2. Obtain a 10.6917 doubler cut Xtal for channels 41-85, and a 10.2417 Xtal for channels 26.515-26.955. Above information can be used in conjunction with this. Use a relay or our new electronic Xtal switcher (Kit 116), to switch the Xtals.

Readjust T1, T2, T3 for full coverage.

Transmitter alignment:

Adjust T11, T4, T5, T6, T7, T10, L14, L16 on LSB, for maximum output and frequency coverage desired.

Clarifier-



1. Clip D49.
2. Clip R148.
3. Run a wire from un-used terminal on clarifier control to emitter of Q36 (positive of C299).
4. Jump D50.
5. Install Super Clarifier Diode in place of D4.
6. Jump C27 with 22pf capacitor.
7. Remove C22 across CT3.
8. Adjust CT1: USB; CT2: AM; CT3: LSB.

VR1; Am power RV9; AM modulation RV8; SSB mod. RV10; SSB ALC.