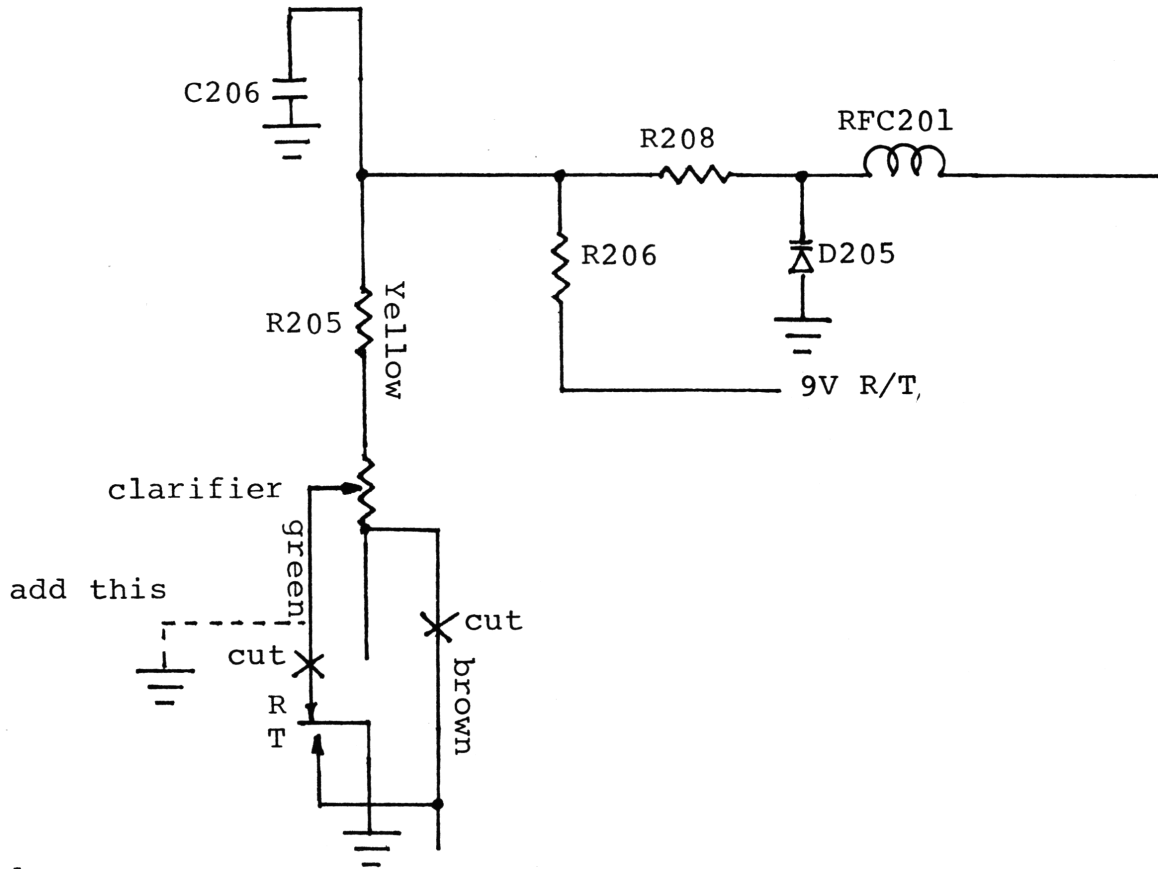


Clarifier-



Slider-

For more slide use a choke (Super Slide) in series with D205.

For maximum slide, remove C210, C208, C207, C209 capacitors.

