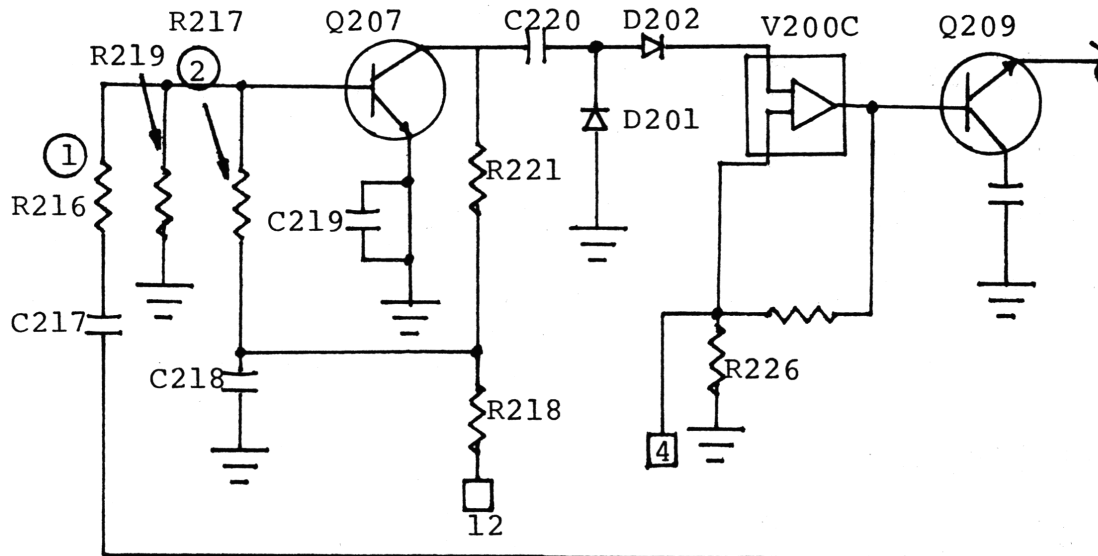


CPI ALC MODIFICATION FOR INCREASED SSB POWER

REC-XMT BOARD



1. Change R216, to a 4.7K Ohm $\frac{1}{4}$ Watt
2. Change R217, to a 15K $\frac{1}{4}$ Watt

