

SPECIFIC INSTALLATION INSTRUCTIONS (CONT)

FOR VSB-1

J.C. PENNYS 6241 (cont.)

Expander- Remove C263. Solder BLACK lead of expander to hole next to D257 and the WHITE lead towards PL 36.

NO PREAMP

J.C. PENNYS 6247 -

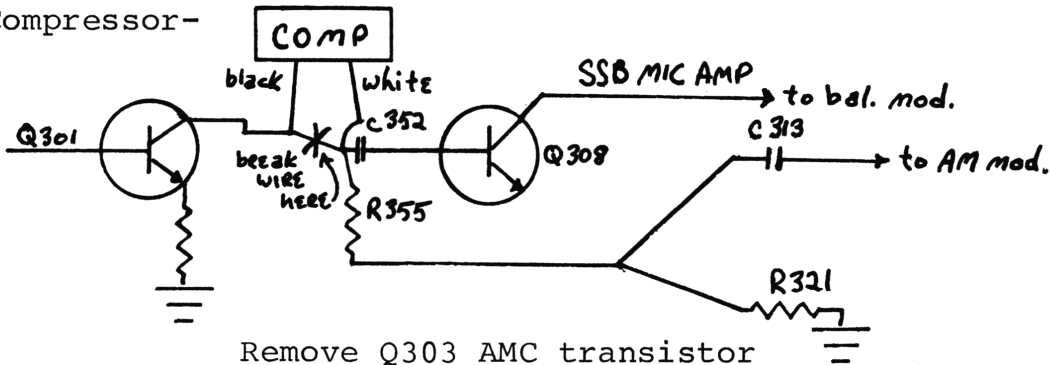
Compressor- Remove C152 and install BLACK lead of VSB-1 to the input and the WHITE lead to the output (R131) holes of where the capacitor was removed.

Expander- Break the violet/white wire coming from the volume control at the point it joins the P/C board. Solder the BLACK lead of the VSB-1 to this wire, and the WHITE lead to the board where you unsoldered the violet/white wire (See figures 2 + 3).

PREAMP RECOMMENDED (Remove Q35, modulation limiter)

J.C. PENNYS 6248 -

Compressor-



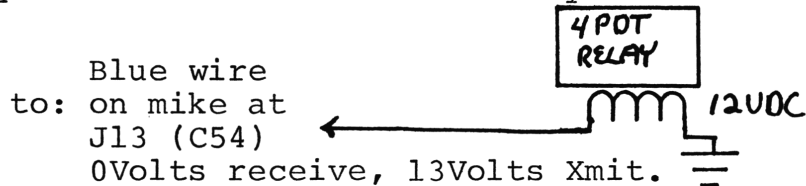
Remove Q303 AMC transistor

Expander- Remove C311 capacitor. Connect BLACK lead to the positive side of C311. Connect WHITE lead to one side of C312.

NO PREAMP

JOHNSON 4120 -

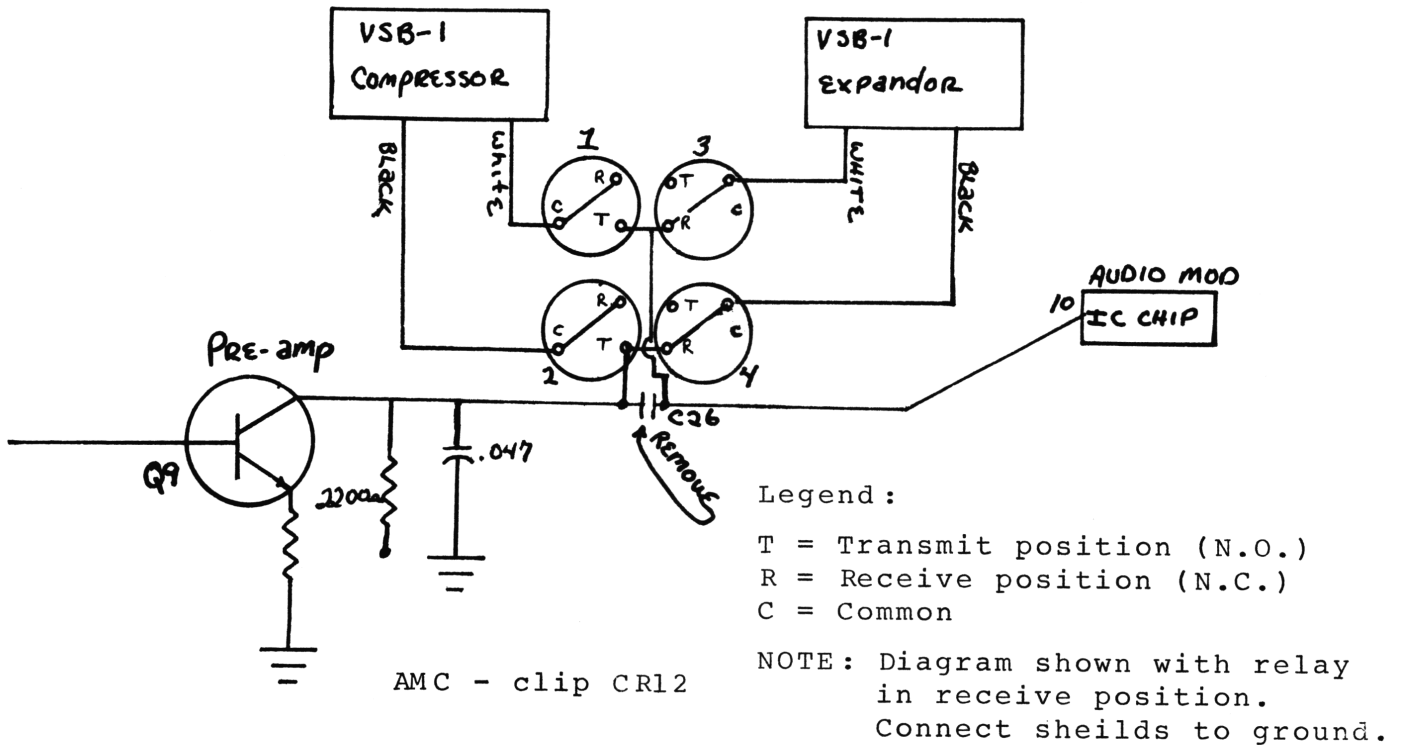
This unit requires the use of a 4PDT relay.



SPECIFIC INSTALLATION INSTRUCTIONS (CONT)

FOR VSB-1

JOHNSON 4120 (cont)



KRACO KCB2340 -

Compressor- Remove C234. Install BLACK lead in hole towards pin 6 of IC1 and WHITE lead towards R231. Clip D206.

Expander- Remove C119. Install BLACK lead to positive side, WHITE lead towards RF C6.

PREAMP RECOMMENDED

MIDLAND 13-864

Compressor- Remove C32. Install BLACK lead towards R35 and WHITE lead towards R39.

Expander- Remove C33. Insert BLACK lead towards R38, and the WHITE lead towards R39.

NO PREAMP