

SPECIFIC INSTALLATION INSTRUCTIONS (CONT)

FOR VSB-1

J.C. PENNYS 6241 (cont.)

Expander- Remove C263. Solder BLACK lead of expander to hole next to D257 and the WHITE lead towards PL 36.

NO PREAMP

J.C. PENNYS 6247 -

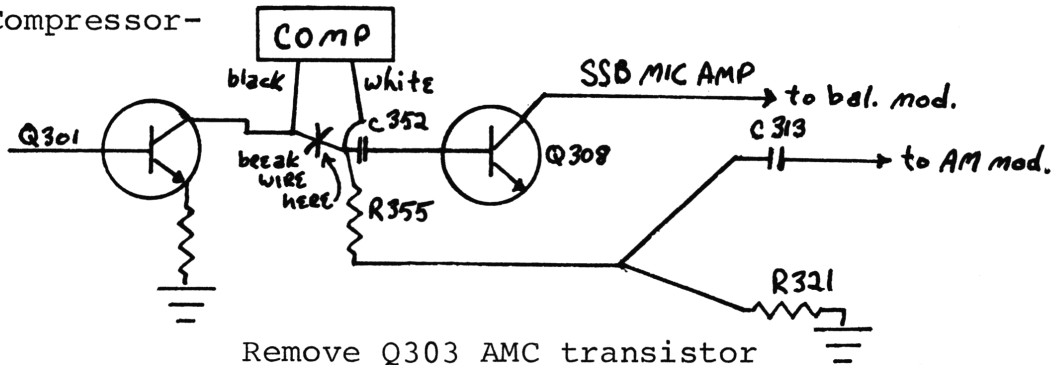
Compressor- Remove C152 and install BLACK lead of VSB-1 to the input and the WHITE lead to the output (R131) holes of where the capacitor was removed.

Expander- Break the violet/white wire coming from the volume control at the point it joins the P/C board. Solder the BLACK lead of the VSB-1 to this wire, and the WHITE lead to the board where you unsoldered the violet/white wire (See figures 2 + 3).

PREAMP RECOMMENDED (Remove Q35, modulation limiter)

J.C. PENNYS 6248 -

Compressor-



Remove Q303 AMC transistor

Expander- Remove C311 capacitor. Connect BLACK lead to the positive side of C311. Connect WHITE lead to one side of C312.

NO PREAMP

JOHNSON 4120 -

This unit requires the use of a 4PDT relay.

