

# SPECIFIC INSTALLATION INSTRUCTIONS (CONT)

## FOR VSB-1

### COBRA 2000 GTL -

Compressor- Remove C101. Install BLACK lead to positive side of cap, and install the WHITE lead to the other hole vacated by the capacitor.

Expander- Break brown wire from volume control at the point where it connects to the P/C board. Connect the BLACK lead to this wire and the WHITE lead to the hole where the wire was removed. (See figures 2 + 3)

PREAMP RECOMMENDED

### COLT 485 -

Compressor- Remove C152. In the holes where the capacitor was removed, solder the BLACK lead of the VSB-1 on the side toward the mic jack and the WHITE lead in the other hole towards R131.

Expander- Unsolder the violet/white wire leading from the volume control where it is connected to the P/C board. Solder the BLACK lead of the VSB-1 to the violet/white wire, and the WHITE lead into the hole vacated by the removed violet/white wire.

PREAMP REQUIRED

### DAK X 276 -

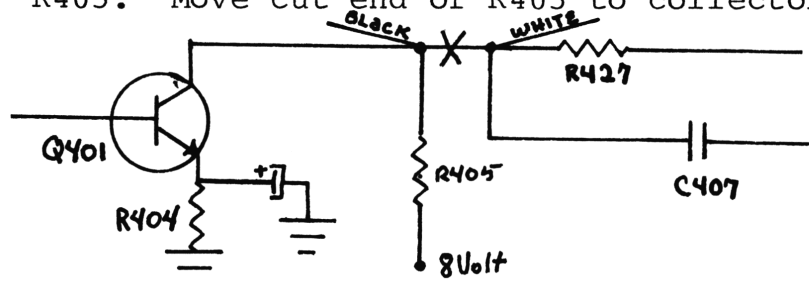
Compressor- Remove C152. Solder BLACK wire to hole by mic gain control and WHITE wire to hole by R131.

Expander- Unsolder WHITE wire on volume control. Solder this wire and the BLACK wire from the VSB-1 together. Solder the WHITE wire from the VSB-1 to the volume control.

PREAMP RECOMMENDED

### J.C PENNYS 6241 -

Compressor- Cut collector of Q401 and cut loose one end of R405. Move cut end of R405 to collector of Q401.



# SPECIFIC INSTALLATION INSTRUCTIONS (CONT)

## FOR VSB-1

### J.C. PENNYS 6241 (cont.)

Expander- Remove C263. Solder BLACK lead of expander to hole next to D257 and the WHITE lead towards PL 36.

NO PREAMP

### J.C. PENNYS 6247 -

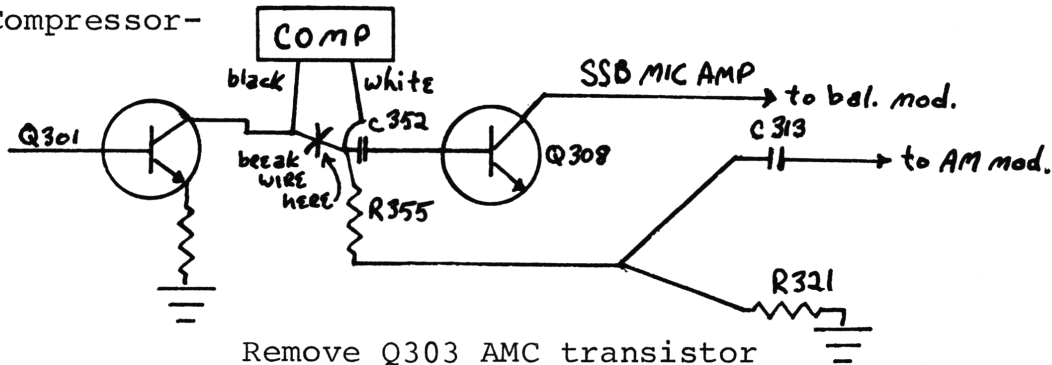
Compressor- Remove C152 and install BLACK lead of VSB-1 to the input and the WHITE lead to the output (R131) holes of where the capacitor was removed.

Expander- Break the violet/white wire coming from the volume control at the point it joins the P/C board. Solder the BLACK lead of the VSB-1 to this wire, and the WHITE lead to the board where you unsoldered the violet/white wire (See figures 2 + 3).

PREAMP RECOMMENDED (Remove Q35, modulation limiter)

### J.C. PENNYS 6248 -

Compressor-



Remove Q303 AMC transistor

Expander- Remove C311 capacitor. Connect BLACK lead to the positive side of C311. Connect WHITE lead to one side of C312.

NO PREAMP

### JOHNSON 4120 -

This unit requires the use of a 4PDT relay.

