

SPECIFIC INSTALLATION INSTRUCTIONS

FOR VSB-1

COBRA 25 GTL -

- Compressor- Remove C89. In the holes where the capacitor was removed, solder the black lead of the VSB-1 at the input (toward the mic jack), and the white lead to the output hole (toward R53).
- Expander- Remove C32. In the holes where the capacitor was removed, solder the black lead of the VSB-1 at the input and the white lead to the output.

PREAMP RECOMMENDED

COBRA 63 GTL -

- Compressor- Remove C53. Solder BLACK wire to hole by R57 and WHITE wire towards C55. Remove TR17.
- Expander- Remove R33. Solder BLACK wire towards C26 and WHITE wire towards volume control.

PREAMP RECOMMENDED

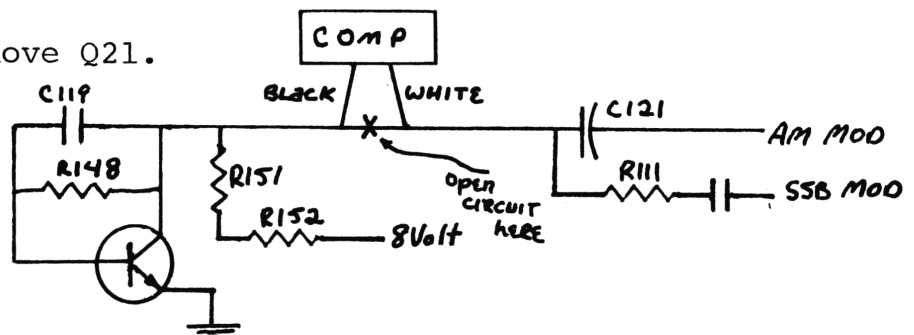
COBRA 89 GTL -

- Compressor- Remove C127. Solder BLACK wire towards hole at R102 and WHITE wire towards R57. Remove TR16.
- Expander- Remove R32. Solder BLACK wire towards C31, and the WHITE wire towards volume control.

PREAMP RECOMMENDED

COBRA 135XLR -

- Compressor- Remove Q21.



- Expander- Remove R67. Solder BLACK wire in hole towards R64, and WHITE wire towards R68.

PREAMP RECOMMENDED