

SECRET CB's TROUBLESHOOTER KIT RELEASED

Due to popular demand, "THE TROUBLESHOOTER" will be available as a kit, instead of a factory assembled unit. This test instrument will be offered in two basic forms:

- 1) The "KWIK KIT". Contains all parts to complete the construction of THE TROUBLESHOOTER (except case, and knobs).
Includes: IC's, sockets, resistors, capacitors, PC boards, front decal, rubber gasket, and switches.
- 2) The "SEMI-KIT". Contains PC boards, front decal, and rubber gasket. Any other parts needed to complete the kit, are available from SECRET CB individually by part number.

THE TROUBLESHOOTER is a dynamic and extremely useful test instrument, and will be a welcome companion at your test bench.

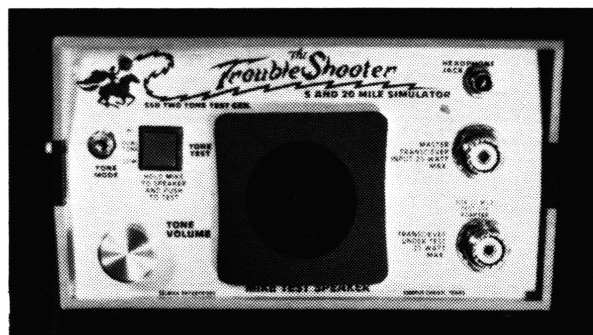
If you need more persuasion, this is an idea of what the unit is.

- 1) THE TROUBLESHOOTER provides a two tone oscillator for tuning single side band and a single tone for tuning AM.
- 2) While tuning, by plugging a set of common stereo headphones into THE TROUBLESHOOTER, it provides a sidetone to hear how you sound on the air!

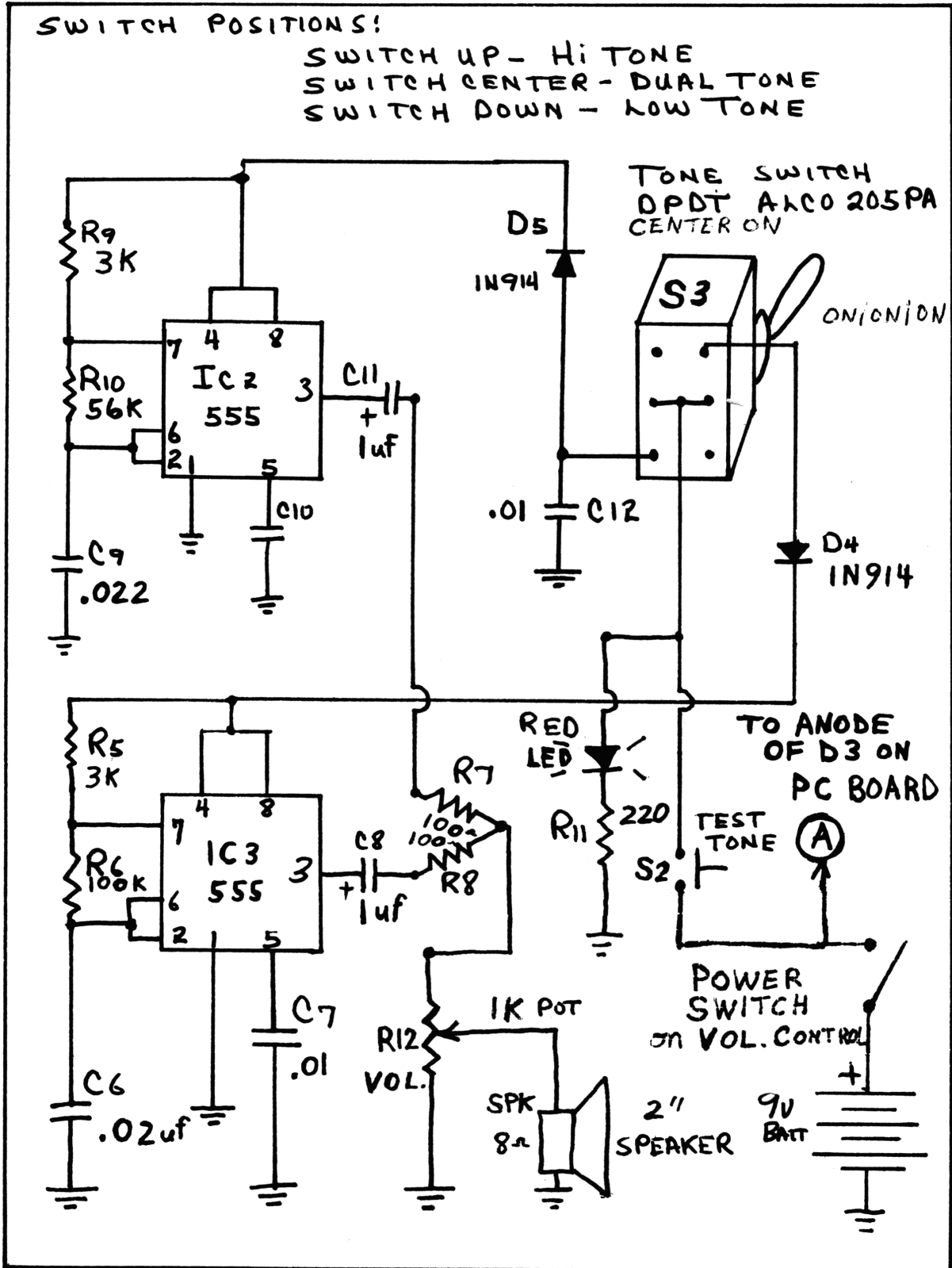
*This has
Been deleted
due to PARTS*

THE TROUBLESHOOTER can also be used to check two radios, 5 and 20 miles away! What an asset when trying to get distortion out of a set!

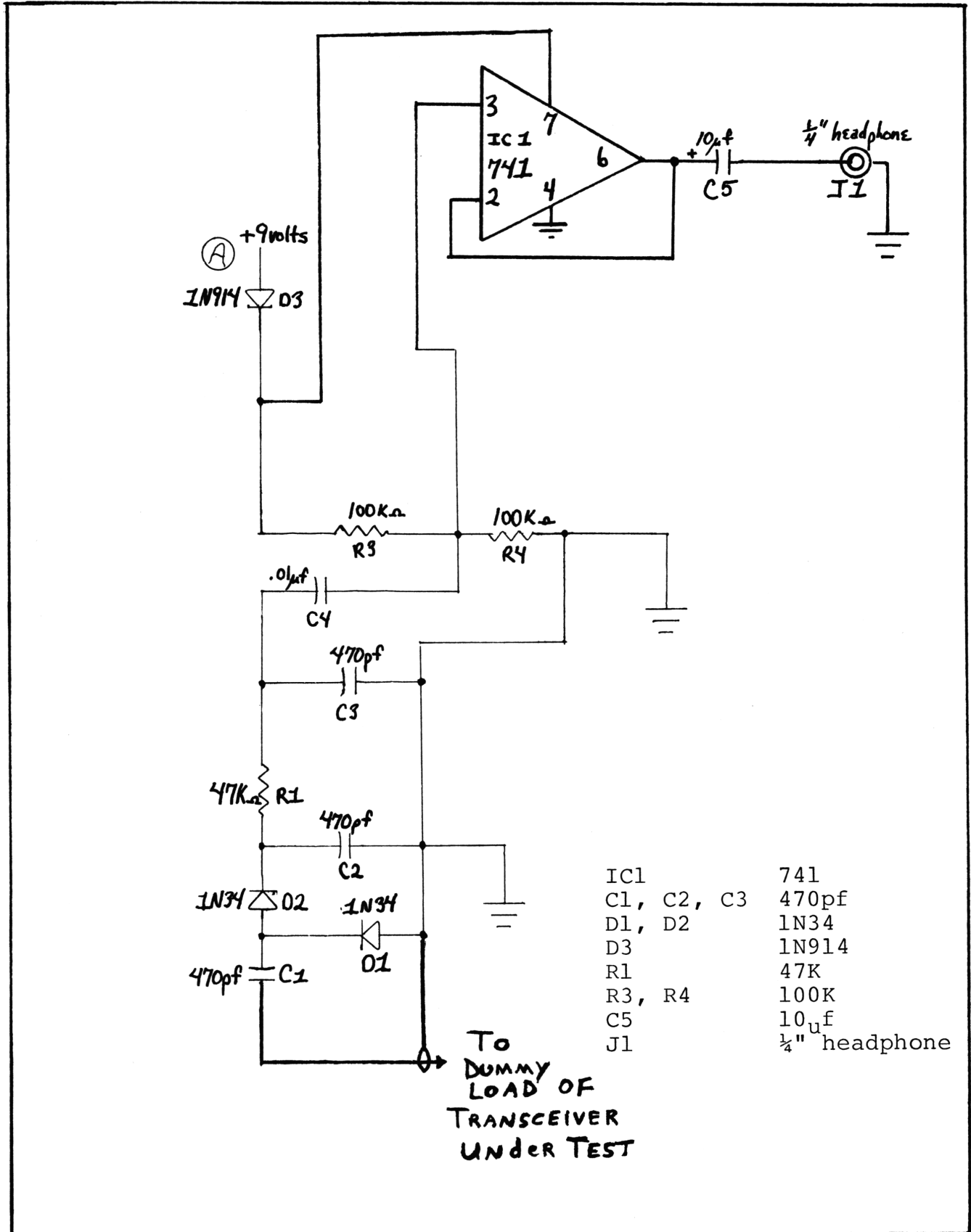
- 4) THE TROUBLESHOOTER can also be used as a dummy load with intermittent use up to 100 Watts (25 W rating).



TONE GENERATOR SCHEMATIC



DETECTOR CIRCUIT



- | | |
|------------|----------------|
| IC1 | 741 |
| C1, C2, C3 | 470pf |
| D1, D2 | 1N34 |
| D3 | 1N914 |
| R1 | 47K |
| R3, R4 | 100K |
| C5 | 10µf |
| J1 | 1/4" headphone |