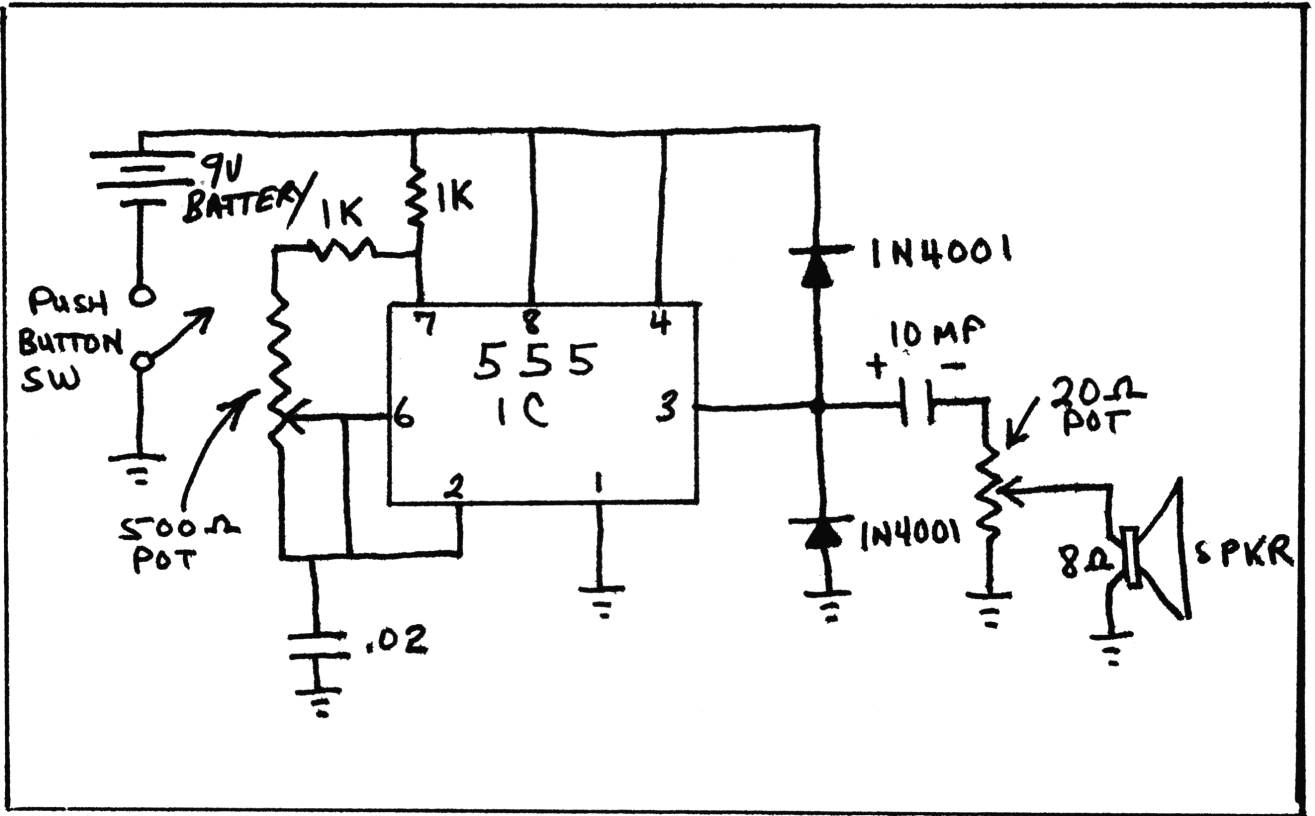


# SECRET CB TEST TONE

## PARTS:

- One 555 IC timer
- Two 1K ohm  $\frac{1}{4}$  watt 10%
- One 500K ohm POT or trim tabs
- One 20 ohm POT
- Two 1N4001
- One .02 pf 16 volts
- One 10 f 16 volts
- One 9 volt battery
- One Battery Connector
- One SPST normally off push button switch
- One small box



Install all parts on vector board and mount in small box. You may use trim tabs or external controls. If you build two of these units you will have a two tone generator. Mount in the same box. This unit is good for 100HZ to 20 HZ.