

ROYCE MODEL 612 MODIFICATION

At the channel selector switch, there is six leads which go to the PLL circuit. The leads are designated 2-0 thru 2-5. By placing the terminals at 1.5 volts or at ground, the channels are selected. Removing a lead is the same as placing the terminal at 1.5v.

By removing certain leads or placing them at ground, the Royce 612 can be modified to go up or down in frequency. Attached is a chart that shows which frequencies can be obtained by removals or grounds. This can best be accomplished thru a switch.

By taking the orange wire from the Loc-Distance switch and soldering it to ground on the circuit board (this places radio in distance permantely) and removing black lead entirely will allow you to now use the switch in whatever way needed.

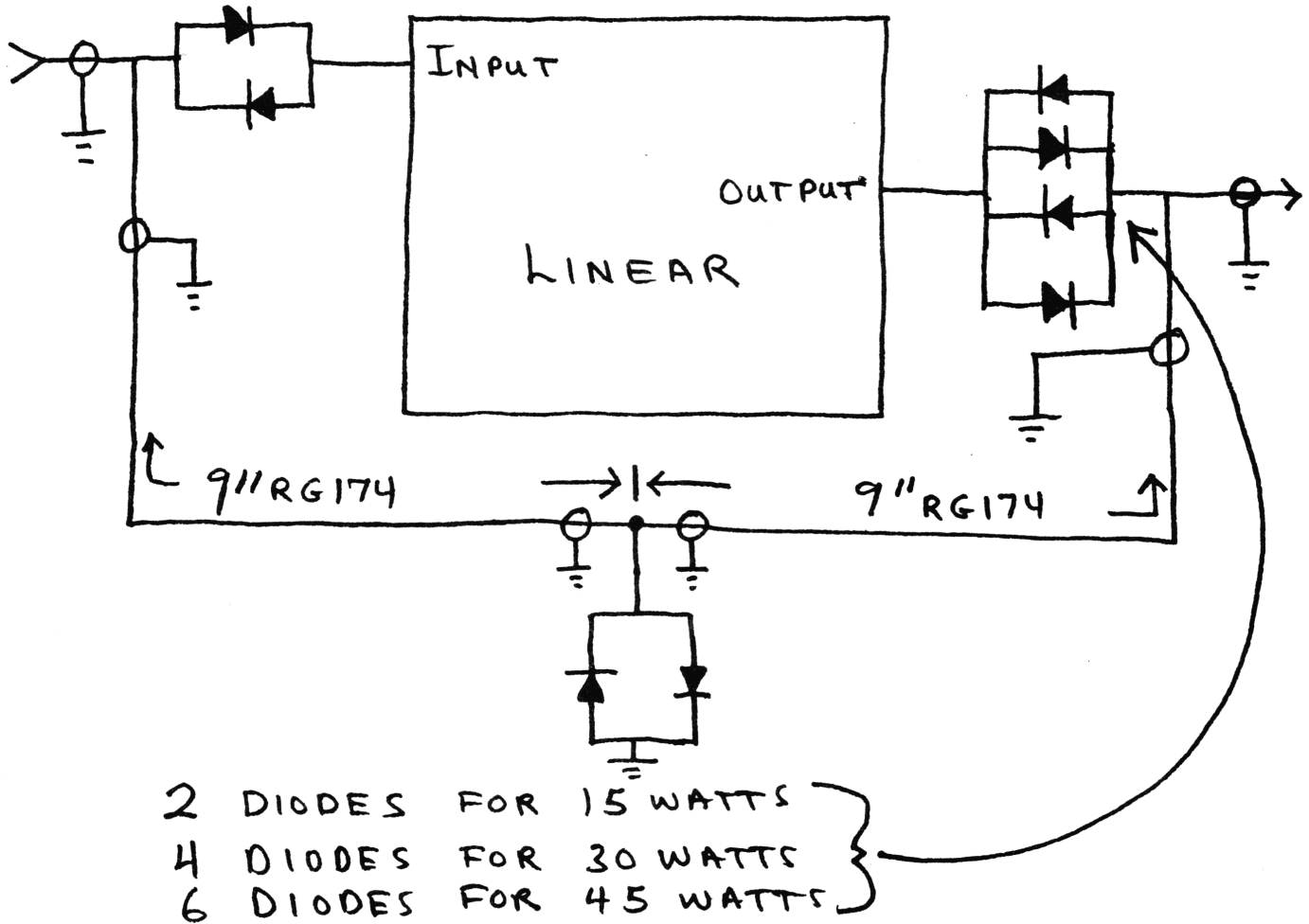
Also removing both leads from the ANL switch and taping them so that they do not make contact with each other or any other part of the radio (this will leave the ANL in the ON position all the time). Ths ANL switch can now be used for whatever need be.

Normal Channel	Removal of			Grounding Terminal		Remove & Ground
	5	4	3	5	3	
	2 Red wire	2 Orange	2 Yellow	2 Red	2 Yellow	2
1	27.285				26.885	27.205
2	27.295				26.895	27.215
3	27.305				26.905	27.225
4	27.325				26.925	27.245
5	27.335				26.935	27.255
6	27.345				26.945	27.265
7	27.335				26.955	27.275
8		27.215				
9		27.225				
10		27.235				
11		27.245				
12		27.265				
13		27.275				
14		27.285				
15		27.295				
16		27.315				
17		27.325				
18		27.335				
19		27.345				
20			27.285	26.885		
21			27.295	26.895		
22			27.305	26.905		
23			27.335	26.935		

-Continued-

EXAMPLE: To have frequencies of Column 1, remove leads from Loc-Distance switch as per previous paragraph. Take RED wire (2⁵) from PLL terminal and wire it to the center terminal on switch. Add lead from local position on switch to PLL terminal 2⁵. In local position channels 1-23 are normal. In the distance position channels 1-7 are the ones in column 1.

RELAY-LESS LINEAR SWITCHING FOR AM & SSB



ALL DIODES
 IN 914