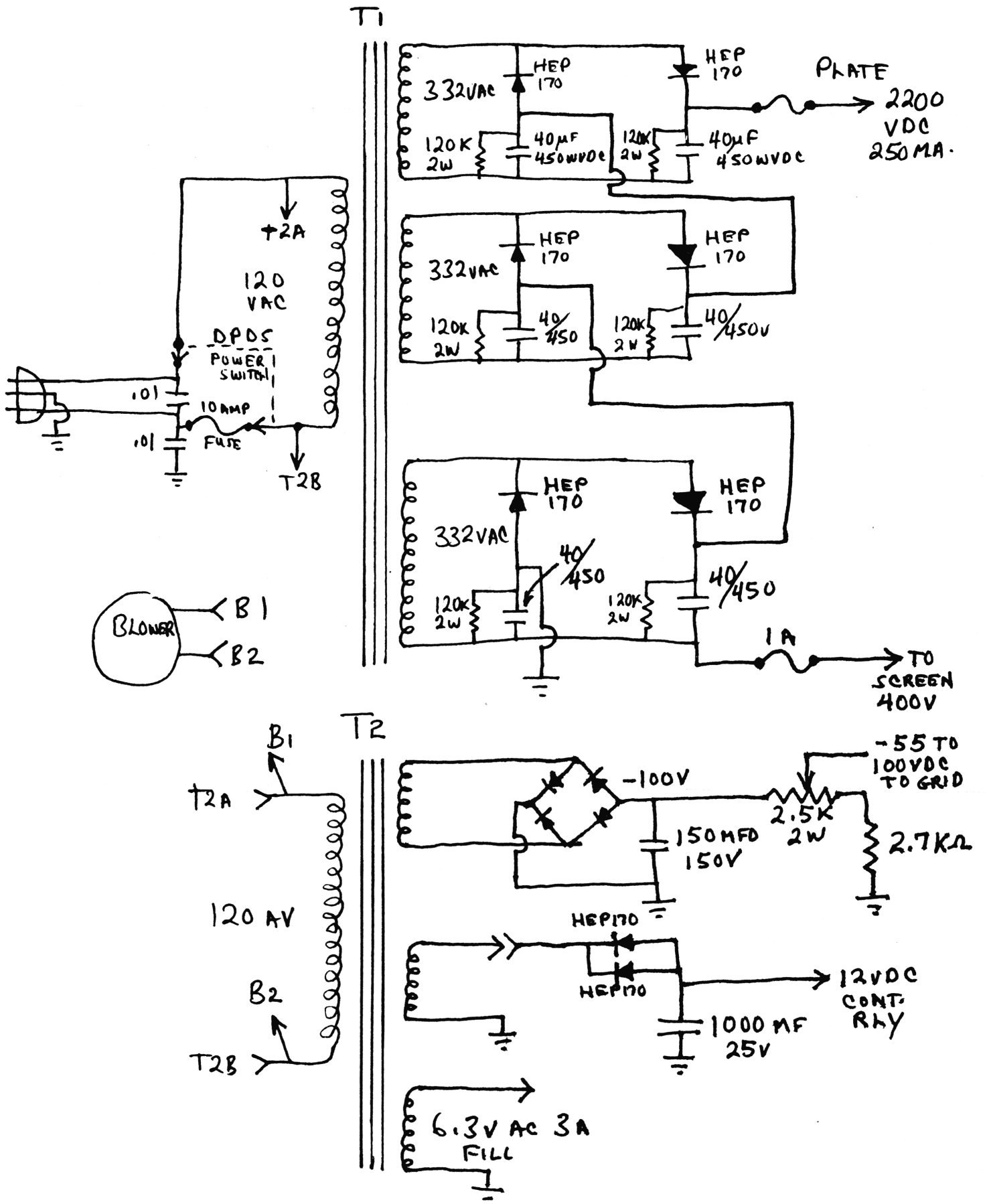
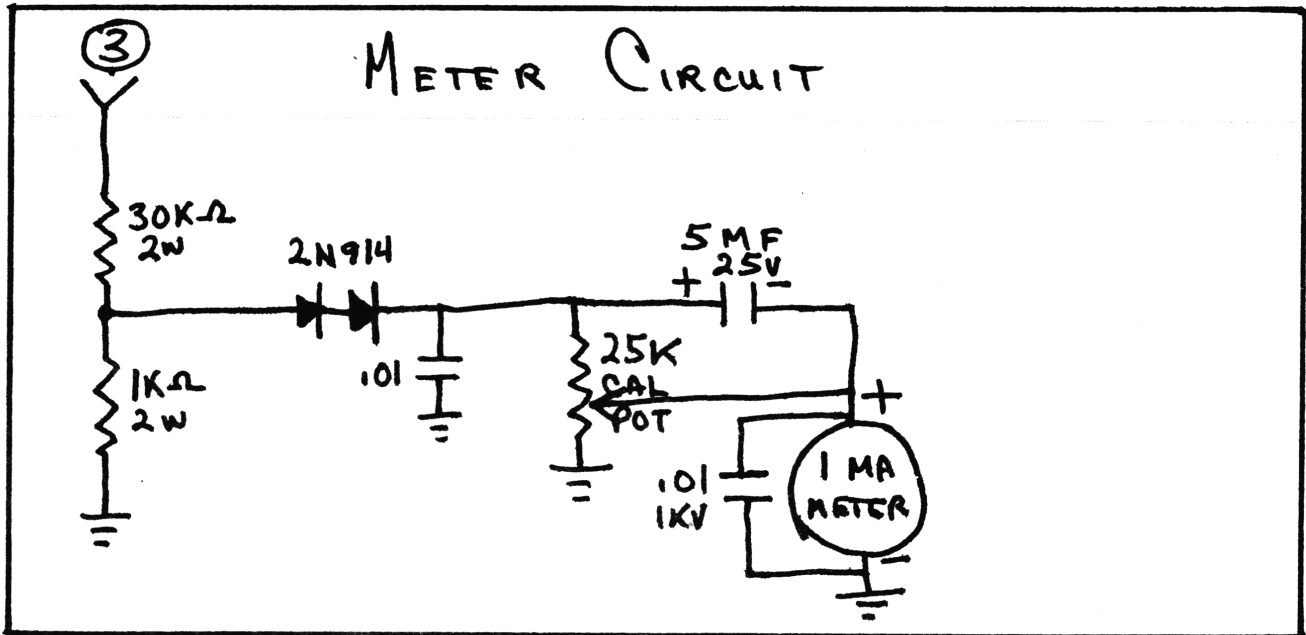


POWER SUPPLY CIRCUIT FOR 300-400 WATT LINEAR AMP.



WATTMETER CIRCUIT AND LAY OUT DIAGRAM FOR 300-400 WATT BASE LINEAR



NOTES:

- ① USE CHIMNEY'S AND FORCED AIR BLOWER
- ② BOTTOM OF CHASSIS MUST BE AIR TIGHT SO AIR MUST BE FORCED THROUGH TUBE.
- ③ USE DAYTON BLOWER PART # 4C012 OR EQUIV.

