

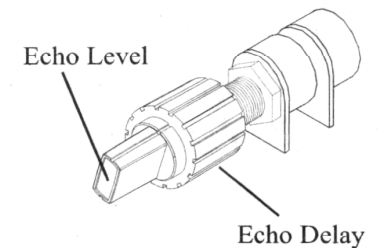
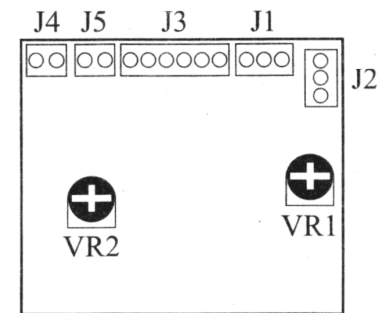
INSTALLATION AND OPERATION

- 1) Plan your installation! Read all instructions before beginning! If unclear about any part of these instructions it is recommended that the TRB-X2 be professionally installed.
- 2) Disconnect the radio from all antenna and power connections. Remove the radio cabinets. Tighten all main circuit board-to-chassis screws, and microphone and antenna jack screws.
- 3) Locate an area inside the radio where the TRB-X2 can be mounted, keeping in mind wire lead lengths and the desired location of the control potentiometer (pot). Make sure that the TRB-X2 will not interfere with the radio speaker and cabinets and that no components inside the radio will be touching the TRB-X2. Mount the TRB-X2 as far from the transmitter final stage as possible.
- 4) Once a good location has been found for the TRB-X2 board and control pot, carefully drill the necessary holes. Drill one 1/8" hole for the TRB-X2 board and one 5/16" hole for the control pot. It may also be necessary to drill the control pot hole in the cabinet. Some radios come equipped with an echo board or have provisions for an internal echo board. It may not be necessary to drill any holes when installing the TRB-X2 in these radios.
- 5) Unsolder the audio line from the radio microphone jack. See list below for mic jack pin info.
- 6) Solder the TRB-X2 audio input lead (white wire (coax center) from J2) to the mic jack audio pin.
- 7) Solder the TRB-X2 audio output lead (white wire (coax center) from J1) to the audio wire removed from the radio microphone jack in step 5.
- 8) Solder both TRB-X2 audio ground leads (coax shield wire from J1 and J2) to the ground pin on the radio microphone jack.
- 9) Solder the positive TRB-X2 power lead (red wire from J4) to the positive (+) 13.8 volt DC source switched at the On/Off Volume control of the radio. Note : Most new style radios switch +13.8 volts DC at the On/Off Volume control. However, some older base radios switch 117 volts AC at the On/Off Volume control. Voltage measurements must be made prior to wiring the TRB-X2 into any radio! If the TRB-X2 is connected to 117 volts AC it may destroy both the TRB-X2 and radio!
- 10) Solder the negative TRB-X2 power lead (black wire from J4) to ground pin on the microphone jack.
- 11) Solder the PTT leads (black wire from J2 and red wire from J1) to the PTT pin on the radio microphone jack.
- 12) Mount the TRB-X2 into the radio using the holes drilled in step 4. Check to make sure that the TRB-X2 is not touching any of the radio components and double check all solder connections.
- 13) Connect the radio to an antenna or dummy load and power to test the TRB-X2.
- 14) Before testing the TRB-X2 it may be necessary to make some adjustments for optimum performance. To set the TRB-X2 for optimum performance, connect the speaker to the radio. Turn the radio microphone gain to maximum and temporarily short the coax shield from J2 to the black wire from J2. Turn the Output Gain control (VR1) fully clockwise. Turn the Echo Level control fully clockwise and the Echo Delay control fully counter-clockwise. While keying the radio slowly adjust the Echo Volume Trimmer (VR2) until only a slight feedback effect is heard (VR2 will be approx. at mid point). Once this is done the TRB-X2 will be set for optimum performance.
- 15) To operate, turn the radio and TRB-X2 on. Adjust the Echo Delay and Echo Level to the desired level and transmit as normal. The Echo Delay control can be adjusted while transmitting for Whammy sound effects. All types of sound effects, including Endless Echo, can be achieved by adjusting VR2 along with the Echo Level and Echo Delay control pots.

Radio Microphone Jack Pin Information

Radio Type	Pin1	Pin2	Pin3	Pin4	Pin5	Pin6
Cobra, Uniden, Magnum, Galaxy (4pin)	Ground	Audio	PTT	Receive	n/a	n/a
Cobra, Uniden (5pin)	Audio	Ground	Receive	Ground	PTT	n/a
Magnum (6pin)	Audio	Receive	Transmit	Up/Down	Ground	+VDC
HR2510, Lincoln, Emperor (5pin)	Audio	Ground	PTT	Up	Down	n/a
RCI2950, 2970, 2990 (6pin)	Ground	Audio	PTT	Receive	Up	Down
Midland, AR3300, AR3500 (4pin)	Audio	Ground	Receive	PTT	n/a	n/a

TRB-X2 Connector and Variable Resistor Locations



TRB-X2 Warranty Information

Your TRB-X2 is warranted against manufacturing defects for 1 year from the date of purchase. All returns must be accompanied by the original receipt for warranty to be valid. Warranty status will be determined by RF Limited. RF Limited reserves the right to void the warranty if the product has been tampered with or misused.

RF Limited
1-877-624-6869
www.RFLimited.com