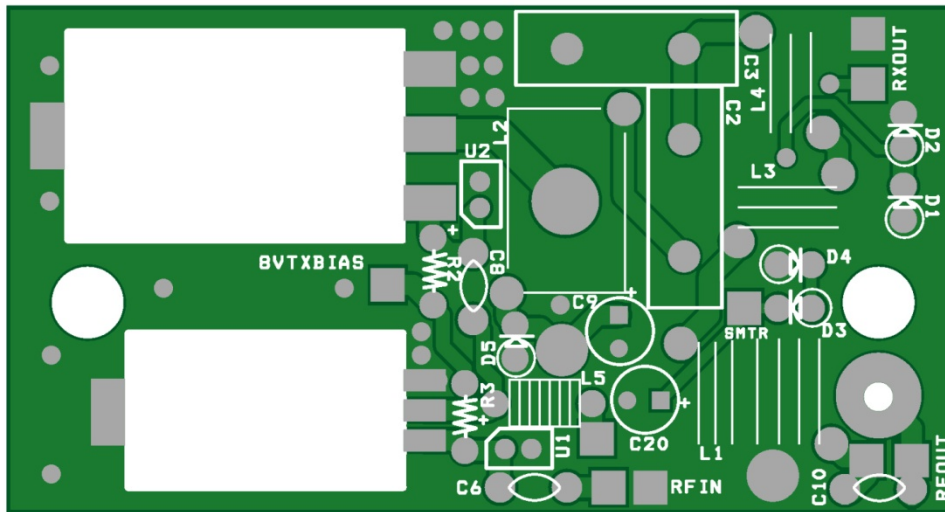


RFX75 Printed Circuit Board Drawing – Top Side



RFX75 Printed Circuit Board Drawing – Bottom Side

