

This Information Is Provided By
CBTricks.com

Shure Model 405K 418A Microphone

Liability of damages to any equipment is the sole responsibility of the user! Downloading, viewing, or using any information provided on these pages automatically accepts the user to the terms of this agreement!

Modifications are provided for information purposes only!

Supporters of CBTricks.com paid for the hosting so you would have this file.

CBTricks.com is a non-commercial personal website was created to help promote the exchange of service, modification, technically oriented information, and historical information aimed at the Citizens Band, GMRS (CB "A" Band), MURS, Amateur Radios and RF Amps.

CBTricks.com is not sponsored by or connected to any Retailer, Radio, Antenna Manufacturer or Amp Manufacturer, or affiliated with any site links shown in the links database. The use of product or company names on my web site is not endorsement of that product or company.

The site is supported with donations from users, friends and selling of the Site Supporters DVD's to cover some of the costs of having this website on the Internet instead of relying on banner ads, pop-up ads, commercial links, etc. Thus I do not accept advertising banners or pop-up/pop-under advertising or other marketing/sales links or gimmicks on my website.

ALL the money from donations is used for CBTricks.com I didn't do all the work to make money (I have a day job). This work was not done for someone else to make money also, for example the ebay CD sellers.

All Trademarks, Logos, and Brand Names are the property of their respective owners.

This information is not provided by, or affiliated in any way with any radio or antenna Manufacturers.

Thank you for any support you can give.

For information on how to Support CBTricks.com

<http://www.cbtricks.com/support/>

**SHURE**

222 HARTREY AVE., EVANSTON, ILL. 60204 U.S.A.

MICROPHONES AND ELECTRONIC COMPONENTS

® AREA CODE 312/328-9000 • CABLE: SHUREMICRO

DATA SHEET**MODELS 405K and 418A****CONTROLLED MAGNETIC HAND MICROPHONES**

General: The Models 405K and 418A Communication Hand Microphones are pressure actuated units using the Shure developed balanced armature, Controlled Magnetic Cartridge. They are designed for clear, crisp, natural voice response of high intelligibility.

The microphones feature:

- Frequency response from 200 to 4,000 Hz especially tailored for voice communication use.
- A light, compact case that fits comfortably and firmly in the palm of the hand.
- Extremely rugged high-impact "Armo-Dur®" case—both lighter and stronger than die-cast metal cases—comfortable to the touch in hot or cold weather.
- Single throw, double pole, leaf-type switch designed to stand up under constant usage.
- Ruggedness and dependability under all operating conditions.
- Long life, tinsel, neoprene jacketed coil cord.

MODEL 405K IS HIGH (14,000 OHMS) IMPEDANCE AND IS A DIRECT REPLACEMENT FOR THE GENERAL ELECTRIC MODELS EM10A1, EM10A2, EM10B2, EM10D, EM10E, EM25A, AND EM25E FOR USE WITH PROGRESS LINE MOBILE RADIO EQUIPMENT.

MODEL 418A IS MEDIUM (1,500 OHMS) IMPEDANCE AND IS A DIRECT REPLACEMENT FOR THE GENERAL ELECTRIC MODELS EM18A, EM18B, EM18C, AND EM18D FOR USE WITH TRANSISTORIZED PROGRESS LINE (TPL) MOBILE RADIO EQUIPMENT. THE 418A MAY BE USED WITH OR WITHOUT CHANNEL GUARD.

Both the Models 405K and 418A Microphones are especially recommended for all types of outdoor-indoor communication activity in mobile and fixed station use, as in Police, Fire, Utility, Forestry, and Transportation Services; Commercial; Industrial—including radio telephone, amateur radio and similar applications. The microphones are unusually rugged—suitable for use in the most demanding outdoor and indoor public-address installations.

SPECIFICATIONS**Frequency Response:**

200 to 4,000 Hz

Output Level:

Model 405K

Open Circuit Voltage — 14.0 dB* (.20 volt)

EIA Microphone Rating

Gm (Sensitivity) — 144.0 dB**

**Model 418A**

Open Circuit Voltage — 22.5 dB* (.075 volt)

EIA Microphone Rating

Gm (Sensitivity) — 146.0 dB**

*0 dB = 1 volt per 100 microbars.

**Reference, EIA Standard SE-105, August 1949

Microbar = One dyne per square centimeter

Recommended Load Impedance:

Model 405K 100,000 ohms or more

Model 418A 10,000 ohms or more

Case:

High-impact "Armo-Dur®"

Cable:

Model 405K . . . 3-conductor, tinsel, one shielded, neoprene jacketed coil cord with an Amphenol MC4M type plug (offset Keying) attached.

Model 418A . . . 4-conductor, tinsel, one shielded, neoprene jacketed coil cord with a Components 6601-M6 Type plug attached.

Switch:

Single throw, double pole, leaf-type

Dimensions:

See Figure A

Net Weight:

340 grams (12 oz)

Shipping Weight:

482 grams (17 oz)

Mounting Bracket:

94A242 supplied (See Figure C)

GUARANTEE

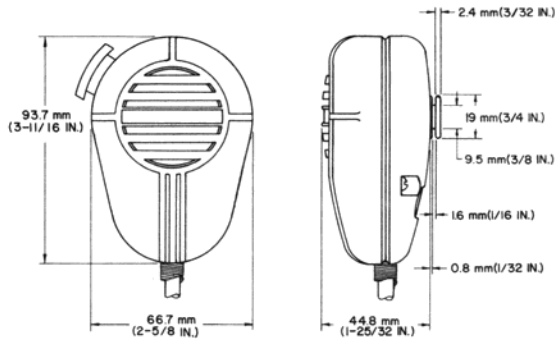
This Shure product is guaranteed in normal use to be free from electrical and mechanical defects for a period of one year from the date of purchase. Please retain proof of purchase date. This guarantee includes all parts and labor.

SHIPPING INSTRUCTIONS

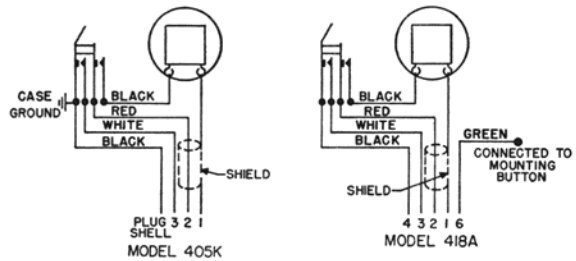
Carefully repack the unit and return it prepaid to the factory. If outside the United States, return the unit to your dealer or Authorized Shure Service Center for repair. The unit will be returned to you prepaid.

REPLACEMENT PARTS

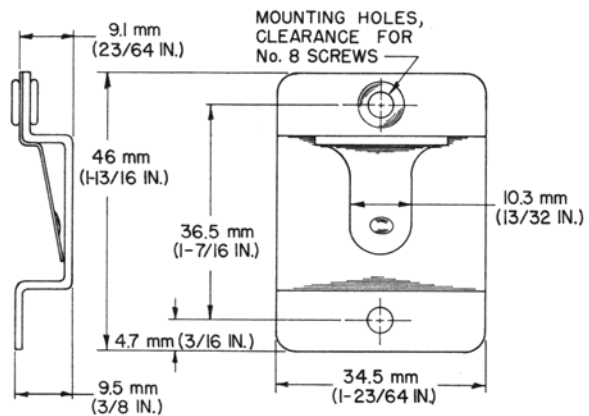
DESCRIPTION	SHURE PART NO.
Cable and Plug Assembly	C11C (Model 405K) C27C (Model 418A)
Controlled Magnetic Cartridge	R5D (Model 405K) R5C (Model 418A)
Mounting Bracket	94A242



**OVERALL DIMENSIONS
FIGURE A**



**INTERNAL CONNECTIONS
FIGURE B**



**MOUNTING BRACKET
FIGURE C**