

This Information Is Provided By
CBTricks.com

Shure Microphone Wiring Guide Issue 4

Liability of damages to any equipment is the sole responsibility of the user! Downloading, viewing, or using any information provided on these pages automatically accepts the user to the terms of this agreement!

Modifications are provided for information purposes only!

Supporters of CBTricks.com paid for the hosting so you would have this file.

CBTricks.com is a non-commercial personal website was created to help promote the exchange of service, modification, technically oriented information, and historical information aimed at the Citizens Band, GMRS (CB "A" Band), MURS, Amateur Radios and RF Amps.

CBTricks.com is not sponsored by or connected to any Retailer, Radio, Antenna Manufacturer or Amp Manufacturer, or affiliated with any site links shown in the links database. The use of product or company names on my web site is not endorsement of that product or company.

The site is supported with donations from users, friends and selling of the Site Supporters DVD's to cover some of the costs of having this website on the Internet instead of relying on banner ads, pop-up ads, commercial links, etc. Thus I do not accept advertising banners or pop-up/pop-under advertising or other marketing/sales links or gimmicks on my website.

ALL the money from donations is used for CBTricks.com I didn't do all the work to make money (I have a day job). This work was not done for someone else to make money also, for example the ebay CD sellers.

All Trademarks, Logos, and Brand Names are the property of their respective owners.

This information is not provided by, or affiliated in any way with any radio or antenna Manufacturers.

Thank you for any support you can give.

For information on how to Support CBTricks.com

<http://www.cbtricks.com/support/>



**Model
526T Series II**

CB AND AMATEUR RADIO WIRING GUIDE

Issue 4

GENERAL

This Guide provides detailed instructions for connecting Shure Citizens Band microphones to most CB transceiver models. If your CB transceiver is not listed in the Guide, please send a schematic diagram of your CB transceiver to Shure Brothers Incorporated, 222 Hartrey Avenue, Evanston, IL 60204. The schematic will be returned along with wiring instructions for your particular microphone-transceiver combination.

All wiring information in the Guide pertains to Shure Models CB41, CB42, CB43, CB44, CB45, 526T, and 526T Series II. Only Model 526T Series II is designed for use with CB transceivers requiring five-conductor shielded cable.

The Shure CB Wiring Guide has been compiled as an aid to Shure CB customers. Shure is not liable for damage due to wiring errors, errors in the Guide, or for any consequential damages.

HOW TO USE THE GUIDE

CB transceiver manufacturers are listed alphabetically in the left column. Model numbers are listed below each manufacturer's name.

The following six columns are headed by the cable lead colors used in Shure Citizens Band microphones. The upper row of colors (upper case) refers to the cable leads used in the 526T Series II. The lower row of colors (lower case) refers to the leads used in the 526T, CB41, CB42, CB43, CB44, and CB45. (The GREEN, high-impedance audio lead is omitted from the column headings. See the next paragraph for connection instructions for the GREEN lead.) Under each lead color are instructions for connecting that lead to the CB transceiver connector or input circuit. A number used as a column entry (e.g., #1, #2, etc.) refers to a numbered connector pin. When a connector has unnumbered pins, or when the cable is wired directly to the CB transceiver input, identification of the circuit, along with color code if applicable, is provided in the entry under each Shure cable lead color. Typical connector numbering is shown in Figure 1.

The right column is headed Notes. When special considerations apply, a numbered entry in this column refers to the Notes listed at the bottom of the page. When a transceiver audio input requires a high-impedance microphone connection, Note 4 will appear in the last column. This indicates that the GREEN audio lead (instead of the WHITE) should be used in Models CB41, CB42, CB43, CB44, and CB45. When Notes 6 or 9 appear, only the 526T Series II is suitable for connection to that transceiver.

Refer to the bottom of the page for a list of abbreviations used.

TYPICAL CONNECTIONS TO CB TRANSCEIVER AUDIO INPUT

Shure Citizens Band microphones are suitable for replacement of most original equipment ceramic or dynamic, high- or low-impedance microphones. Shure Citizens Band microphone cables are wired so that the WHITE cable lead carries the preamplified or low-impedance audio output, and the GREEN cable lead carries the high-impedance audio output. If a microphone has both a GREEN and a WHITE cable lead, be sure to insulate the unused audio lead.

When replacing a ceramic microphone supplied with original equipment, the high-impedance connection will usually (but not always) be used. If your CB transceiver is not listed in the Guide, and you do not know whether a high- or low-impedance microphone is required, connect the microphone for low impedance (WHITE lead). Check whether there is sufficient output from your transceiver. If the modulation output is too low, reconnect the microphone for high impedance.

The shield completes the microphone audio circuit, and often also is the ground for the switching circuit. Connect the shield to chassis or circuit ground of the transceiver. Take care not to connect the shield to chassis ground for those models where the Guide specifies connection to either circuit ground or power supply.

TYPICAL CONNECTIONS TO CB TRANSCEIVER RELAY OR ELECTRONIC SWITCHING CIRCUIT

Grounded switching

Most CB transceivers employ a grounded circuit to switch from the receive to the transmit position. Shure Citizens Band microphones are wired for instant connection to grounded switching circuits. The microphone cable connections are as follows.

1. Connect the RED cable lead to the terminal used to complete the transmitter circuit.
2. A. In Models CB41, CB42, CB43, CB44, CB45, and 526T, connect the BLACK lead to the terminal used to complete the receiver circuit*.
B. In Model 526T Series II, connect the YELLOW lead to the terminal used to complete the receiver circuit*.

*This will usually be a ground return from the loudspeaker. If a microphone switching contact is not required for the loudspeaker ground, insulate the BLACK or YELLOW lead referred to in A or B.

3. In Model 526T Series II, the BLACK lead may occasionally be required for a separate receiver ground circuit in addition to the loudspeaker ground. In most cases, however, insulate the BLACK lead.
4. In Model 526T Series II, connect the BLUE lead to chassis or circuit ground of the transceiver. Take care not to connect the shield to chassis ground for those models where the Guide specifies connection to circuit ground.

Isolated switching

In some transceivers, an isolated circuit is required to switch power supply voltages rather than grounds.

Shure Models CB41, CB42, CB43, CB44, CB45, and 526T are suitable for transceivers that switch the power supply in the microphone only to the transmitter circuit. All these microphones except Model CB41 require internal modifications that are fully described in the data sheet. In Model CB41, move the Grounded-Isolated switch to the Isolated position. Model 526T Series II is suitable for connection to transceivers that switch the power supply in the microphone from the receive to the transmit position, and for units that also require a separate switching contact for the loudspeaker ground return. No internal microphone modifications are needed.

The microphone cable connections for isolated switching circuits are as follows.

1. Modify the microphone (all models except 526T Series II) as described in the data sheet.
2. Connect the RED lead to the isolated terminal used to complete the transmitter circuit.
3. A. In Models CB41, CB42, CB43, CB44, CB45, and 526T, connect the BLACK lead to the terminal used for power supply voltage.
B. In Model 526T Series II, connect the BLUE lead to the terminal used for power supply voltage.
4. In Model 526T Series II, connect the BLACK lead to the terminal used to complete the receiver circuit. If the power supply is not switched to the receiver circuit by a microphone switching contact, insulate the BLACK lead.
5. In Model 526T Series II, connect the YELLOW lead to the loudspeaker ground return. If a microphone switching contact is not required for the loudspeaker ground, insulate the YELLOW lead.

Special switching

Some transceivers (indicated by Note 9 in the last column) require special internal microphone modifications before cable connections are made. Only the 526T Series II is recommended for use with these transceivers. Refer to the microphone data sheet for general descriptions of the required internal changes. If you need further information, please write to Shure Brothers Inc.

TROUBLESHOOTING

SYMPTOM	PROBABLE CAUSE	
	With nonamplified microphone CB41, CB42, CB43, CB44, CB45	With amplified microphone 526T, 526T Series II
Undermodulation	Poor or loose connections (check especially microphone cable to transceiver connector), or impedance mismatch. Original equipment ceramic microphone replacements usually require high-impedance audio connection. However, for some ceramic microphone inputs, replacement microphone audio connection must be low impedance.	Weak batteries, dirty battery contacts, microphone volume control set too low, or poor or loose connections (check especially microphone cable to transceiver connector).
Overmodulation (indicated on modulation level meter or by unintelligible speech)	Low-impedance microphone output too high for transceiver input. To correct, 470 ohm to 4.7 kilohm resistor may be added in series with transceiver audio input.	Microphone volume control set too high.
Low receiver volume		With 526T only, WHITE lead from amplifier to press-to-talk switch has not been cut (see Note 2 and Figure 4).
Immediate transmission when microphone is connected	With Grounded Switching, reversed connection of RED and BLACK leads (see Figure 2 and data sheet).	With Grounded Switching, reversed connection of RED and BLACK leads (see Figure 4 and data sheet).
No output	Poor or loose connections (check especially microphone cable to transceiver connector), or broken wires	Dead battery, dirty battery contacts, poor or loose connections (check especially microphone cable to transceiver connector), or broken wires.
Poor voice quality with low volume and/or bassy sound	High-impedance (GREEN) cable lead connected to audio input circuit. Change to low-impedance (WHITE) cable lead.	
No carrier while transmitting	BLACK lead has not been moved for isolated switching (see Note 5 and Figure 3).	With 526T only, Normal/VOX switch is in VOX position.

TROUBLESHOOTING (Continued)

SYMPTOM	PROBABLE CAUSE	
	With nonamplified microphone CB41, CB42, CB43, CB44, CB45	With amplified microphone 526T, 526T Series II
No audio while transmitting	Unused GREEN or WHITE audio lead has not been insulated	With 526T only, WHITE audio lead has been cut instead of WHITE lead from amplifier to press-to-talk switch (see Note 2 and Figure 4).
Transceiver fuse blows	Microphone not wired properly. Isolated switching may be required. Jumper lead between switch terminals has not been cut (see Note 5 and Figure 3).	Microphone not wired properly. Isolated switching may be required. With 526T only, BLUE lead has not been cut (see Note 3 and Figure 4).
Squeal while receiving (may vary with microphone-to-transceiver distance)	With hand-held models: Open case (see Isolated Switching section of data sheet). If WHITE cable lead connected to transceiver, cut GREEN lead at cartridge; if GREEN cable lead connected at transceiver, cut WHITE lead at cartridge. With Model CB41: Unscrew screen and grille, remove cartridge and fiber washer. If WHITE cable lead connected to transceiver, cut BLACK lead at cartridge. If GREEN cable lead connected to transceiver, cut RED lead at cartridge.	With 526T only, WHITE lead from amplifier to press-to-talk switch has not been cut (see Note 2 and Figure 4). With 526T Series II only, transceiver may require grounded audio input. See Special Switching section of data sheet.
Squeal while transmitting		With 526T only, GRAY lead not cut (see Note 1 and Figure 4).

PIN NUMBERING FOR TYPICAL CB CONNECTORS

(viewed from solder terminal side of plug)

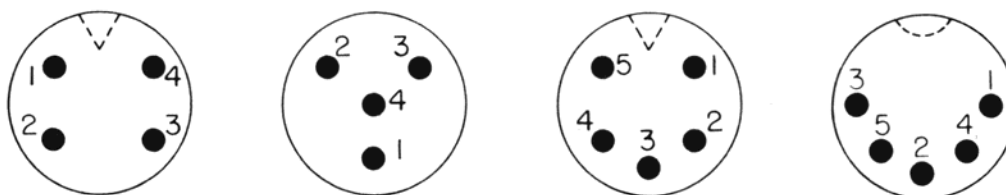
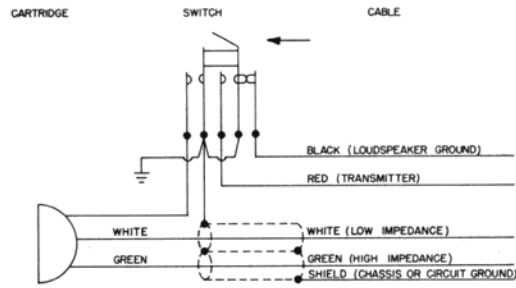
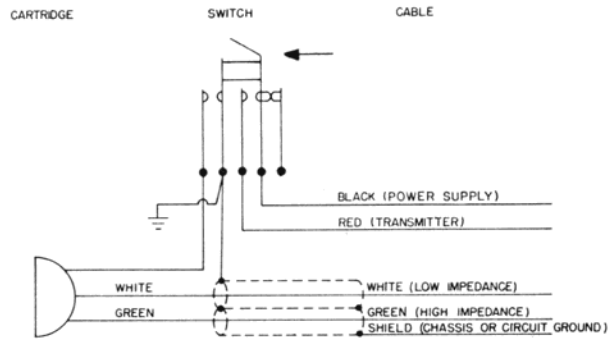


FIGURE 1

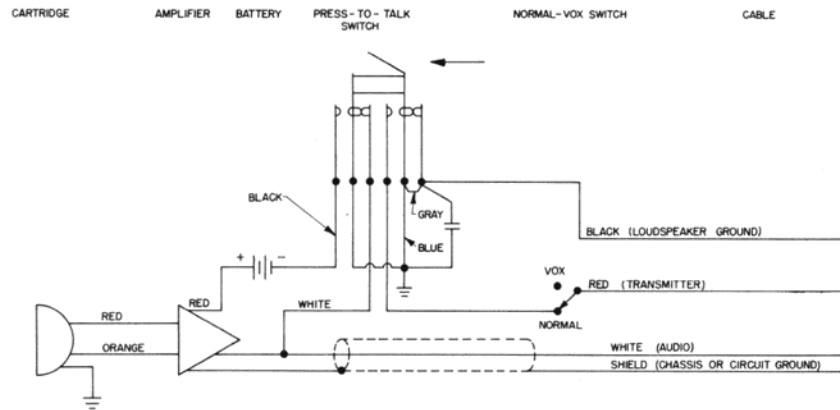
TYPICAL MICROPHONE CIRCUITS



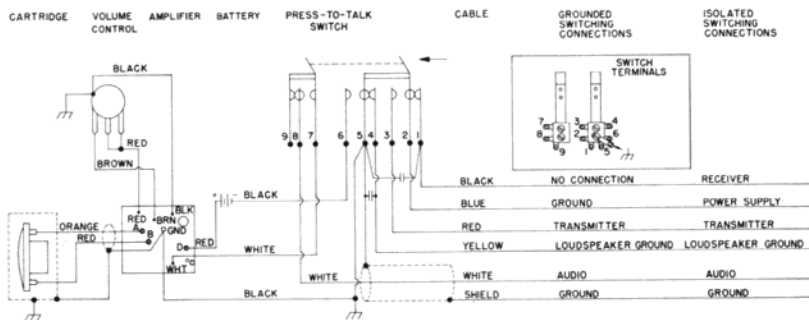
**GROUNDING SWITCHING
FIGURE 2**



**ISOLATED SWITCHING
FIGURE 3**



**AMPLIFIED MICROPHONE - 526T
FIGURE 4**



**AMPLIFIED MICROPHONE - 526T SERIES II
FIGURE 5**

526T Series II Model (others)	WHITE (white)	SHIELD (shield)	YELLOW (black)	RED (red)	BLUE	BLACK	Notes
AIMOR CB-7000	#1	#4	#3	#2	#4	NC	1, 2
AIRCASTLE 2302, JE321	#3	#4	#1	#2	#4	NC	1, 2, 4
AIRLINE GAS-587 GEN-774A	#1	#2	#3	#4	#2	NC	8 2
ALARON B1025 B1050 B1150 B1100 B-5200	#1 #3 #1 #1	#4 #4 #2 #2	#3 #1 #5 NC	#2 #2 #3 #3	#4 #4 #2 #2	NC NC NC NC	 1, 2 1, 2 2, 4 8
ALLIED A2507	AUDIO-BLK	GND-SHLD	LS	RELAY- RED	GND-SHLD	NC	1
A2530	#1	#2	#2	#3	#2	NC	1, 2
A2533	AUDIO	GND	LS CKT	XMTR CKT	GND	NC	1, 2
A2559, A2561	AUDIO- WHT	GND-SHLD	NC	RELAY- RED	GND-SHLD	NC	
A2564, A2568	#4	#3	NC	#2	#3	NC	
A2569	AUDIO	GND	LS CKT	XMTR CKT	GND	NC	1
A2567	#1	#2	NC	#3	#2	NC	4
ALLSTATE 893.62910, 11, 21, 31, 41	AUDIO	CHAS GND	LS GND	XMTR CKT	CHAS GND	NC	1, 2, 4
AMECO TX-62	RING	SLEEVE	NC	TIP	SLEEVE	NC	2, 4
AMERICAN ELECTRONICS 76-501 (Spirit), 76-601 (Freedom) 76-551 (Buccaneer)	#4	#3	#2	#1	#3	NC	1, 2 8
AMERICAN MOTORS 3231847, 48, 49, 50	#1	#2	NC	#3	#2	NC	2
AMPHENOL 777 775 600, 625, 650, 675	#3 AUDIO	#1 CKT GND	NC NC	#2 XMTR CKT	#1 CKT GND	NC NC	8
ARVIN 20Y55-19 20Y33-19	#2 AUDIO	#1 CKT GND	NC NC	#3 XMTR CKT	#1 CKT GND	NC NC	

NOTES

1. When using the 526T only (not the Series II) with this transceiver, cut the internal GRAY lead of the microphone.
2. When using the 526T only (not the Series II) with this transceiver, cut the internal WHITE lead of the microphone from the amplifier to the press-to-talk switch (see Figure 4).
3. When using the 526T only (not the Series II) with this transceiver, cut the internal BLUE lead. Refer to the Isolated Switching section of the data sheet.
4. This transceiver requires a high-impedance audio input. When using the CB41, CB42, CB43, CB44, and CB45, the GREEN audio lead replaces the WHITE audio lead.
5. This transceiver requires an isolated switching contact when using the CB41, CB42, CB43, CB44, and CB45. Refer to the Isolated Switching section of the data sheet for circuit modification instructions (see Figure 3).
6. This transceiver is recommended for use only with the 526T Series II.
7. When using the 526T Series II with this transceiver, the YELLOW lead is not used.
8. This transceiver is not recommended for use with Shure Citizens Band microphones.
9. This transceiver is recommended for use only with the 526T Series II after special internal modifications are made. Refer to the data sheet, or write to Shure Brothers Incorporated.

526T Series II Model (others)	WHITE (white)	SHIELD (shield)	YELLOW (black)	RED (red)	BLUE	BLACK	Notes
ATLAS 210/215, 210x/215x	RING	SLEEVE	NC	TIP	SLEEVE	NC	2, 4
AUDIOVOX MCB-1000 MCB-500 MCB-2000 MCB-750 MCB-3000 MCB-5000, MDU-6000	#1 #1 #1 #1 #1	#2 #6 #6 #2 #4	#5 #2 NC #4 NC	#3 #5 #5 #3 #5	#2 #4 #4 #2 #4	NC #3 #3 NC NC	1, 2 6 6, 7 1, 2 2 8
AUTOMATIC MCE6510, TRE6500, MCR-6450, TRC-6448, TRR-6454/A CBF-2179 CBH-2265 CBU-2068 CBR-2175	AUDIO #1 #2 #1 #1	CKT GND #3 #1 #2 #3	NC #5 #4 #3 #5	XMTR CKT #2 #3 #5 #2	CKT GND #3 #1 #2 #3	NC NC NC NC	 1, 2 1, 2 1, 2, 4 1, 2
B&K / DYNASCAN Cobra 46XLR, 86XLR, 132XLR, 135XLR Cobra 47XLR, 50XLR, 55XLR Cobra 6 Cobra 19, 21, 29, 21X, 85; Cam 89, 21XLR, 29XLR, 32XLR, 89XLR, 77X Cobra 20, 24 Cobra 23, 27, V Cobra 25 Cobra 28, 28A, 130, 131, 132, 132A, 135, 139, 880, 32XLR, 139XLR, 45XLR Cobra 134, 138, 138A Cam 88, Cobra 98 Cobra 138XLR 19GTL 66GTL 21GTL, 25GTL, 29GTL, 89GTL, 1000GTL, 78X 140GTL, 142GTL 87GTL 148GTL, 2000GTL 63GTL	#2 AUDIO #2 AUDIO AUDIO #3 #2 TIP #1 #2 #2 #2 #1 #1 #1	#1 GND #1 GND #1 #1 SLEEVE #2 #4 #1 #2	NC LS CKT #4 NC LS CKT NC NC NC NC NC #3 NC #3	#3 XMTR CKT #3 RELAY XMTR CKT #2 #3 RING	#1 GND #1 GND #1 #1 SLEEVE #2 #4 #1 #2 #2	NC NC NC NC NC NC NC NC NC NC NC NC NC NC	2 8 1 1, 2 2, 4 2 NC 4 1, 2 1, 2 8 1, 2 1, 2 1, 2 2 1, 2 8

ABBREVIATIONS

BLK = black
BLU = blue
BRN = brown
CHAS = chassis
CKT = circuit
CTR = center
GND = ground
GRN = green
HI = high

LO = low
LS = loudspeaker
MIC = microphone
NC = no connection
ORN = orange
PWR SPLY = power supply
RCVR = receiver
Rev = revised
SHLD = shield

SW = switch
V = volt
VIO = violet
WHT = white
XMTR = transmitter
YEL = yellow
Z = impedance

526T Series II Model (others)	WHITE (white)	SHIELD (shield)	YELLOW (black)	RED (red)	BLUE	BLACK	Notes
BOHSEI Smokey	#1	#2	#3	#4	#2	NC	1, 2
BOMAN CB-950, CBH-990	#1	#2	#3	#4	#2	NC	1, 2
CB-515, -555, -725, -910, -930	#1	#2	#3	#4	#2	NC	1, 2
CB-720B	#1	#4	#3	#2	#4	NC	1, 2
CB-750	#2	#1	NC	#3	#1	NC	1, 2
CB-775	#2	#4	#1	#3	#4	NC	1, 2
CBR-9940	#1	#3	NC	#2	#3	NC	2
CBR-9600	#2	#1	NC	#3	#1	NC	2
CBR-9900	#1	#3	NC	#2	#3	NC	2
CB-920	#1	#2	#3	#4	#2	NC	1, 2
CBR-9950	#1	#2	#4, 5	#3	#2	NC	1, 2
CB-770	#1	#2	NC	#4	#2	NC	2
CBM-6100							8
BROWNING Brownie, LTD, SST Mark II Series B, SSB15	#2 #2	#1 SHELL	#4 NC	#3 #1	#1 SHELL	NC NC	4
Eaglette	AUDIO	CHAS GND	CKT GND	RELAY	CKT GND	NC	3, 4, 5, 7
Eaglette II	AUDIO	CB-PA SW	GND	XMTR	GND	NC	1, 2
SST-2, Brownie, Sabre, Baron	#2	#4	#1	#3	#4	NC	2
Eagle S23, Golden Eagle Mark II (69R & 69T), Golden Eagle Mark III	#1	SHELL	NC	#2	SHELL	NC	4
Golden Eagle Mark 4	#1	#3	NC	#2	#3	NC	4
ZS-7525B	#2	#4	NC	#3	#4	NC	2
CADRE 525 (500-1, 520); 510-A; 515; 510	#2	#3	#4	#1	#3	NC	2
CALTRON CB-7500	#1	#2	#3	#4	#2	NC	
CHANNEL MASTER CB6832, CB6830, CB6834, CB6835	#2	#4	#1	#3	#4	NC	1, 2
CHRYSLER 4048076, 77	#1	#3	NC	#2	#3	NC	2

NOTES

1. When using the 526T only (not the Series II) with this transceiver, cut the internal GRAY lead of the microphone.
2. When using the 526T only (not the Series II) with this transceiver, cut the internal WHITE lead of the microphone from the amplifier to the press-to-talk switch (see Figure 4).
3. When using the 526T only (not the Series II) with this transceiver, cut the internal BLUE lead. Refer to the Isolated Switching section of the data sheet.
4. This transceiver requires a high-impedance audio input. When using the CB41, CB42, CB43, CB44, and CB45, the GREEN audio lead replaces the WHITE audio lead.
5. This transceiver requires an isolated switching contact when using the CB41, CB42, CB43, CB44, and CB45. Refer to the Isolated Switching section of the data sheet for circuit modification instructions (see Figure 3).
6. This transceiver is recommended for use only with the 526T Series II.
7. When using the 526T Series II with this transceiver, the YELLOW lead is not used.
8. This transceiver is not recommended for use with Shure Citizens Band microphones.
9. This transceiver is recommended for use only with the 526T Series II after special internal modifications are made. Refer to the data sheet, or write to Shure Brothers Incorporated.

526T Series II Model (others)	WHITE (white)	SHIELD (shield)	YELLOW (black)	RED (red)	BLUE	BLACK	Notes
CITI-PHONE #19 SS, CD-5A/6, CD-5A/12 CD 11/6, CD 11/12, 99/6, 99/12	#1 RING WHT	#2 SLEEVE CHAS GND	NC NC RED	#4 TIP BLK	#2 SLEEVE CHAS GND	NC NC NC	2, 4 1, 2, 4
CLARICON 14-523 30200 30400 (Pirate) 30500 30600 (Privateer), 30800 (Activator) 30850	AUDIO AUDIO #2 #1 #2 #4	GND GND #5 #2 #1 #1	NC LS CKT NC #3 #3 #5	RELAY XMTR CKT #4 #4 #4 #3	GND GND #5 #2 #1 #1	NC NC NC NC NC NC	2 1, 2 2 1, 2 1, 2 1, 2
CLARION JC-201E JC-202E, JC-203E, RE-367E	#1	#2	#3	#4	#2	NC	2 8
CLEGG 22er Mark II, Thor 6	RING	SLEEVE	NC	TIP	SLEEVE	NC	2, 4
COLLINS 32S-1, KWM-2, KWM-2A	RING	SLEEVE	NC	TIP	SLEEVE	NC	2, 4
COLT 290, 480, 800, 1,000, Black Shadow SSB 350 (M-374) 900 390, 485, 1200 Excalibur 222 SX 33	#1 #4 #1 #1 #1	#2 #2 #3 #2 #4	#3 #1 #4 #3 #5	#4 #5 #2 #4 #2	#2 #2 #3 #2 #4	NC NC NC NC	1, 2 1, 2 4 1, 2 1, 2 8
COMMANDO 2320, 2325 2310 2340	#1 #1 WHT	#4 #2 SHLD	#3 #3 GRN	#2 #4 RED	#4 #2 BLK	NC NC BLU	1, 2 6
CONVOY CON-400 CON-450	#4 #1	#2 #6	#1 #3	#5 #5	#2 #4	NC #2	1, 2 6
COURIER Blazer 40D, Caravelle 40D, Classic PLL40, Conqueror 40D, Rangler 40D, Renegade 40, Rogue 40	#2	#4	#1	#3	#4	NC	1, 2

ABBREVIATIONS

BLK = black
BLU = blue
BRN = brown
CHAS = chassis
CKT = circuit
CTR = center
GND = ground
GRN = green
HI = high

LO = low
LS = loudspeaker
MIC = microphone
NC = no connection
ORN = orange
PWR SPLY = power supply
RCVR = receiver
Rev = revised
SHLD = shield

SW = switch
V = volt
VIO = violet
WHT = white
XMTR = transmitter
YEL = yellow
Z = impedance

526T Series II Model (others)	WHITE (white)	SHIELD (shield)	YELLOW (black)	RED (red)	BLUE	BLACK	Notes
COURIER							
Centurion SSB	TIP	SLEEVE	NC	RING	SLEEVE	NC	8
Nightrider 40DR							
Rebel PLL	WHT	GND	BLK	RED	GND	NC	1, 2
Courier, TR-23S, Classic	#3	#4	NC	#1	#4	NC	
Citation, Classic II	#1	#3	NC	#2	#3	NC	
Classic III, Cruiser, Redball, Caravelle 40D, Conqueror 40D	#2	#4	#1	#3	#4	NC	1, 2
Caravelle, Caravelle II, Centurion, Conqueror, Conqueror II, Gladiator, Spartan SSB	TIP	SLEEVE	NC	RING	SLEEVE	NC	
Centurion 40D, PLL 40	TIP	SLEEVE	NC	RING	SLEEVE	NC	2
Galaxy	#1	#2	#3	#5	#2	NC	1, 2
Classic II (Issue "D")	AUDIO	SHLD	NC	RELAY	SHLD	NC	2
Courier 23; 23 + ; Fleet Courier, 30B; Royale	#3	#4	NC	#2	#4	NC	4
CFT-800A, Courier TR-5, Traveller, ML-100	AUDIO	GND	LS CKT	XMTR CKT	GND	NC	1
Cadet 23	AUDIO	CKT GND	NC	RELAY	CKT GND	NC	
Comet 23	#2	#1	#3	#4	#1	NC	1, 2
Chief 23	#4	#3	#2	#1	#3	NC	1, 2
Ranger 23	#3	#4	#1	#2	#4	NC	1, 4
Traveller II	#4	#1	#3	#2	#1	NC	1
CPI							
2000B	#1	#2	#4	#3	#4	NC	3, 5, 7
CRAIG							
4101, 4102, 4103, 4104, 4201	#2	#3	#4	#5	#3	NC	1, 2
L103, L104	#2	#1	#4	#3	#1	NC	1, 2
L102	#2	#3	#4	#5	#3	NC	1, 2, 4
L101	#2	#3	NC	#5	#3	NC	1, 2
L600							8
L231, L131	#2	#4	#3	#5	#4	NC	1, 2

NOTES

1. When using the 526T only (not the Series II) with this transceiver, cut the internal GRAY lead of the microphone.
2. When using the 526T only (not the Series II) with this transceiver, cut the internal WHITE lead of the microphone from the amplifier to the press-to-talk switch (see Figure 4).
3. When using the 526T only (not the Series II) with this transceiver, cut the internal BLUE lead. Refer to the Isolated Switching section of the data sheet.
4. This transceiver requires a high-impedance audio input. When using the CB41, CB42, CB43, CB44, and CB45, the GREEN audio lead replaces the WHITE audio lead.
5. This transceiver requires an isolated switching contact when using the CB41, CB42, CB43, CB44, and CB45. Refer to the Isolated Switching section of the data sheet for circuit modification instructions (see Figure 3).
6. This transceiver is recommended for use only with the 526T Series II.
7. When using the 526T Series II with this transceiver, the YELLOW lead is not used.
8. This transceiver is not recommended for use with Shure Citizens Band microphones.
9. This transceiver is recommended for use only with the 526T Series II after special internal modifications are made. Refer to the data sheet, or write to Shure Brothers Incorporated.

526T Series II Model (others)	WHITE (white)	SHIELD (shield)	YELLOW (black)	RED (red)	BLUE	BLACK	Notes
DAK							
Mark IX	#1	#2	NC	#4	#2	NC	2
Mark V	#1	#4	NC	#2	#3	#5	6
Mark X	#1	#2	NC	#4	#2	NC	2
DELCO							
1979 Series	#1	#2	NC	#4	#2	NC	2
90BCB2							8
1977 Series	#1	#2	#3	#4	#2	NC	1, 2
1978 Series (80AFMC1, 80BFPC1, 81YFMC1); 90BFMC1, 90BFPC1, 91YFMC1	#1	#5	NC	#4	#2	#3	6
1978 Series (80BFTC1, 80BCB1, 86CFTC1, 86KFTC1); 80BCB2, 90BCB1, 90BFTC1, 90ECB1							8
DEMCO							
Satellite Deluxe	#4 (Hi/Lo Mic Switch to Hi)	#1	#2	#3	#1	NC	1, 2, 4
Ravelle 23	AUDIO	CHAS GND	LS GND	XMTR CKT	CHAS GND	NC	1, 4
Satellite T110A, Travelier (Series B)	#2	#1	NC	#3	#1	NC	4
Ravelle	RING	SLEEVE	NC	TIP	SLEEVE	NC	4
DENTRON							
HF200	RING	SLEEVE	NC	TIP	SLEEVE	NC	2
DRAKE							
Marker-Luxury	#4	#2	NC	#1	#2	NC	2
TR-4, TR-6, T-4x	RING	SLEEVE	NC	TIP	SLEEVE	NC	2, 4
TR-7	#1	#3	NC	#2	#3	NC	2, 4
TR-72	#1	#4	NC	#2	#4	NC	2
ECHO							
49er	#1	#2	#4	#3	#2	NC	1, 2
EICO							
7923 (Nova 23), 712, 771W, 772W	AUDIO	CKT GND	NC	XMTR CKT	CKT GND	NC	4
779, 779A, 777	#2	SHELL	NC	#1	SHELL	NC	4
7723	#1	#2	#3	#4	#2	NC	1, 2

ABBREVIATIONS

BLK = black
 BLU = blue
 BRN = brown
 CHAS = chassis
 CKT = circuit
 CTR = center
 GND = ground
 GRN = green
 HI = high

LO = low
 LS = loudspeaker
 MIC = microphone
 NC = no connection
 ORN = orange
 PWR SPLY = power supply
 RCVR = receiver
 Rev = revised
 SHLD = shield

SW = switch
 V = volt
 VIO = violet
 WHT = white
 XMTR = transmitter
 YEL = yellow
 Z = impedance

526T Series II Model (others)	WHITE (white)	SHIELD (shield)	YELLOW (black)	RED (red)	BLUE	BLACK	Notes
ELECTRONIC 2000 CB-23CH	AUDIO	CKT GND	NC	XMTR CKT	CKT GND	NC	2
FANON Fanfare 100, Rebel 23+	YEL	SHLD	BLU	RED	SHLD	NC	1, 2
Fanfare 700	#1	#2	#5	#3	#2	NC	1, 2
SFT-400, SFT-500	#5	#3	#2	#1	#3	NC	1, 2
SFT-600	#2	#1	NC	#3	#1	NC	
SFT-700, SFT-900 (Guardman)	#2	#1	#3	#4	#1	NC	1, 2
SFT-800A	AUDIO	GND	LS CKT	+ 6.2V PWR SPLY	GND	NC	1
Fanfare 880	TIP	SLEEVE	NC	RING	SLEEVE	NC	
Fanfare 120 T-700	AUDIO-YEL	GND-SHLD	LS-BLK	+ 5V-WHT	GND-SHLD	NC	1, 2 8
Rebel 40A, Fanfare 100F1	WHT	SHLD	BLK	RED	SHLD	NC	1, 2
Fanfare 182F 10-40	#2	#4	#1	#3	#4	NC	1, 2 8
Fanfare 125F, 184DF, 185DF, 185PLL, 880DF	#2	#4	#1	#3	#4	NC	1, 2
Fanfare 190DF Fanfare 350F	TIP	SLEEVE	NC	RING	SLEEVE	NC	8
FIELDMASTER MF-1001	#3	#2	NC	#1	#2	NC	2
TR-18A, TR-18M	#1	#3	NC	#2	#3	NC	1, 2
Micro Mini 3	#1	#6	#2	#5	#4	#3	6
Micro Mini 6	#1	#6	#2	#3	#4	#5	6
FULCOMM/ STEREOSONIC 2300, 01, 02, 03	#1	#2	#3	#4	#2	NC	1, 2
GEMTRONICS GTX-23, GTX-36	#1	#2	#3	#4	#2	NC	1
GTX-2325	#1	#4	NC	#2	#4	NC	2
GTX-2300	#1	#3	NC	#2	#3	NC	1, 2
GTX-3000	#1	#3	#5	#2	#3	NC	1, 2
GT-230	#1	#2	#4	#3	#2	NC	1, 2
GT-44, GT-55, GTX-4040	#1	#2	#3	#4	#2	NC	1, 2
GTX-5000	#1	#3	NC	#2	#3	NC	2, 4
GTX-77, -66	#1	#2	#3	#4	#2	NC	1, 2

NOTES

- When using the 526T only (not the Series II) with this transceiver, cut the internal GRAY lead of the microphone.
- When using the 526T only (not the Series II) with this transceiver, cut the internal WHITE lead of the microphone from the amplifier to the press-to-talk switch (see Figure 4).
- When using the 526T only (not the Series II) with this transceiver, cut the internal BLUE lead. Refer to the Isolated Switching section of the data sheet.
- This transceiver requires a high-impedance audio input. When using the CB41, CB42, CB43, CB44, and CB45, the GREEN audio lead replaces the WHITE audio lead.
- This transceiver requires an isolated switching contact when using the CB41, CB42, CB43, CB44, and CB45. Refer to the Isolated Switching section of the data sheet for circuit modification instructions (see Figure 3).
- This transceiver is recommended for use only with the 526T Series II.
- When using the 526T Series II with this transceiver, the YELLOW lead is not used.
- This transceiver is not recommended for use with Shure Citizens Band microphones.
- This transceiver is recommended for use only with the 526T Series II after special internal modifications are made. Refer to the data sheet, or write to Shure Brothers Incorporated.

526T Series II Model (others)	WHITE (white)	SHIELD (shield)	YELLOW (black)	RED (red)	BLUE	BLACK	Notes
GENERAL ELECTRIC 3-5810B, 3-5811B, 3-5818A, 3-5871A, 3-5871B	#4	#1	#5	#3	#1	NC	1, 2
3-5813A, 3-5814A, 3-5819A, 3-5825A, 3-5869A	#1	#2	#3	#4	#2	NC	1, 2
3-5810, A; 3-5800A, 3-5801A	#4	#1	#5	#3	#1	NC	1
3-5815, 3-5825, 3-5821A, 3-5812A 3-5975A	#1	#2	#3	#4	#2	NC	1, 2 8
3-5830	#4	#1	NC	#3	#1	NC	2
3-5814B, -5875A, -5825B, -5819B, -5813B	#1	#2	#3	#4	#2	NC	1, 2
3-5804B, -5804D 3-5815A	#4	#1	#5	#3	#1	NC	1, 2 8
3-5817A	#1	#2	#3	#4	#2	NC	1, 2
3-5804F, G	#4	#1	#5	#3	#1	NC	1, 2
GM 4120, 4145	WHT #1	SHLD #6	YEL #4	BLU #5	RED #2	BLK #3	6 6
4175	#1	#6	#4	#5	#2	#3	6
4230	#1	#6	#4	#5	#2	#3	6
23B, CBD-10, 23C	#1	#2	#3	#4	#2	NC	1, 2
130	AUDIO-BLK	GND	GND	RELAY-GRN	GND	NC	2
123A	WHT	SHLD	YEL	BLU	RED	BLK	6
CBD-12	WHT	SHLD	YEL	BLU	BLK	RED	6
GENERAL RADIO AND TELEPHONE Super MC-11/A	#1	#3	NC	#2	#3	NC	4
Super MC-9	#4	#3	NC	#2	#3	NC	2, 4
Super MC-8	#4	#3	#1	#2	#1	NC	3, 5, 7
MC-6	#4	#3	#1	#2	#3	NC	1, 2
VS-6, VS-7	WHT	BLK/BLU	RED	GRN	BLK/BLU	NC	
GLOBE 65-228 (President VIII)	RING	SLEEVE	NC	TIP	SLEEVE	NC	2, 4
Globe Master 65-220	AUDIO	SHELL	NC	XMTR CKT	SHELL	NC	4
9000, 9001	#1	#4	#3	#2	#4	NC	1, 2
GONSET G-15 (3428/3429) 3342	AUDIO RING	CHAS GND SLEEVE	NC NC	XMTR CKT TIP	CHAS GND SLEEVE	NC NC	2, 4
GRANADA CB6, CB7, FCB27	#2	#1	#3	#4	#1	NC	1, 2
GRAND PRIX D-1325RF	#1	#2	#3	#4	#2	NC	1, 2

ABBREVIATIONS

BLK = black
BLU = blue
BRN = brown
CHAS = chassis
CKT = circuit
CTR = center
GND = ground
GRN = green
HI = high

LO = low
LS = loudspeaker
MIC = microphone
NC = no connection
ORN = orange
PWR SPLY = power supply
RCVR = receiver
Rev = revised
SHLD = shield

SW = switch
V = volt
VIO = violet
WHT = white
XMTR = transmitter
YEL = yellow
Z = impedance

526T Series II Model (others)	WHITE (white)	SHIELD (shield)	YELLOW (black)	RED (red)	BLUE	BLACK	Notes
HALLICRAFTERS							
CB-24	AUDIO	CKT GND	NC	XMTR CKT	CKT GND	NC	
CB-21	RED	SHLD	BLK	WHT	BLK	NC	3, 5, 7
CB-19, CB-17	WHT	CHAS GND	BLK	RED	CHAS GND	NC	1, 4
CB-7, CB-9	AUDIO	CHAS GND	LS GND	XMTR CKT	CHAS GND	NC	1, 4
CB-10	WHT	CKT GND	BLK	RED	BLK	NC	2, 3, 4, 5, 7
CB-12	AUDIO	CKT GND	XMTR CKT	- 12.6V PWR SPLY XMTR CKT	XMTR CKT	NC	2, 3, 5, 7
P-5-120, CB-5, CB-14, HA-14, CB-5 Mark II	AUDIO	CKT GND	NC		CKT GND	NC	2, 4
CB-20	WHT	SHLD	NC	RED	BLU	BLK	6
HT-32B, -44; SR-150, -160; FPM-200	#1	SHELL	NC	#2	SHELL	NC	2, 4
HT-37	CENTER	SHELL	NC	NC	NC	NC	2, 4
HALLMARK							
512	#2	#3	NC	#1	#3	NC	2, 4
1250B	#2	SHELL	#1	#3	SHELL	NC	1, 4
HAM INTERNATIONAL							
Concorde	#1	#2	NC	#4	#2	NC	2
HAMMARLUND							
CB-Six (CB-6)	AUDIO	CHAS GND	LS GND	XMTR CKT	CHAS GND	NC	1, 4
HANDIC							
2305	#2	#1	#4	#3	#1	NC	4
235, 305, 605							8
230	#1	#6, 4	#3, 2	#5	#6, 4	NC	1, 2
3605	#1	#6	#2	#5	#6	NC	1, 2
199							8
605DL, 240							9
HEATHKIT							
GW-14A, GWW-14A, GWW-14AS, GW-14, GWA-14-1, GWW-14	AUDIO	CKT GND	XMTR CKT	12V PWR SPLY	XMTR CKT	NC	2, 3, 5, 7
MW-34, MWW-34 GW-32A/D, GWW-32A/D, GW-12A/D, GWW-12A/D	AUDIO WHT	CHAS GND CHAS GND	NC RED	XMTR CKT BLK	CHAS GND CHAS GND	NC NC	2, 4 1, 2, 4
GW-42, GWW-42	#2	#1	#3	#4	#1	NC	1, 2, 4

NOTES

1. When using the 526T only (not the Series II) with this transceiver, cut the internal GRAY lead of the microphone.
2. When using the 526T only (not the Series II) with this transceiver, cut the internal WHITE lead of the microphone from the amplifier to the press-to-talk switch (see Figure 4).
3. When using the 526T only (not the Series II) with this transceiver, cut the internal BLUE lead. Refer to the Isolated Switching section of the data sheet.
4. This transceiver requires a high-impedance audio input. When using the CB41, CB42, CB43, CB44, and CB45, the GREEN audio lead replaces the WHITE audio lead.
5. This transceiver requires an isolated switching contact when using the CB41, CB42, CB43, CB44, and CB45. Refer to the Isolated Switching section of the data sheet for circuit modification instructions (see Figure 3).
6. This transceiver is recommended for use only with the 526T Series II.
7. When using the 526T Series II with this transceiver, the YELLOW lead is not used.
8. This transceiver is not recommended for use with Shure Citizens Band microphones.
9. This transceiver is recommended for use only with the 526T Series II after special internal modifications are made. Refer to the data sheet, or write to Shure Brothers Incorporated.

526T Series II Model (others)	WHITE (white)	SHIELD (shield)	YELLOW (black)	RED (red)	BLUE	BLACK	Notes
HEATHKIT GW-11A/D, GWW-11A/D, GW-22A/D, GWW-22A/D	AUDIO	CHAS GND	LS GND	XMTR CKT	CHAS GND	NC	1, 2, 4
HW-12A, -22A, -32A; -100, -101; SB-100, -101, -102, -104A, -110, -400, -401	#1	SHELL	NC	#2	SHELL	NC	2, 4
HW-202	#1	SHELL	NC	#2	SHELL	NC	2
HW-2036, -2036A	GRN	CKT GND	NC	WHT	CKT GND	NC	2
Pawnee HW-20, Shawnee HW-10	#2	#3	#1	#4	#1	NC	2, 3, 4, 5, 7
HITACHI CM-4800H, CM-2375H, CM-2425H, CM-2400C, H	#4	#1	#5	#3	#1	NC	1, 2
HY-GAIN 2679, 2679A							8
2680, 2681, 2682, 2701 (I), 2702 (II), 2703 (III)	#1	#3	#5	#2	#3	NC	1, 2
2705	#1	#4, 3	#5	#2	#3	NC	1, 2
623 (23 Plus)	#1	#4	NC	#2	#4	NC	
672 (Hy Range III), 673 (Hy Range IV), 674 (Hy Range V)	#1	#2	NC	#3	#2	NC	2
670 (Hy Range I), 670A, 671 (Hy Range II), 671A	#1	#4	NC	#2	#3	#5	6
674B (Hy Range V), 673B (Hy Range IV), 672B (Hy Range III), 681 (Hy Range I, IA), 682 (Hy Range II, IIA), 670B, B-PR, 671B, 2681, 2683, 3077, VIII	#1	#3	#5	#2	#3	NC	1, 2
ICOM IC-21A, -22A, -30A	#1	#3	NC	#2	#3	NC	2
IC-22S, -211, -215, -245, -502, -551, -701	#1	#4	NC	#2	#4	NC	2
IC-255A	#1	#7	NC	#5	#7	NC	2
IC-720	#1	#7	#5	#6	#5	NC	2, 3, 5, 7
IC-21A	#1	#3	NC	#2	#3	NC	2

ABBREVIATIONS

BLK = black
BLU = blue
BRN = brown
CHAS = chassis
CKT = circuit^o
CTR = center
GND = ground
GRN = green
HI = high

LO = low
LS = loudspeaker
MIC = microphone
NC = no connection
ORN = orange
PWR SPLY = power supply
RCVR = receiver
Rev = revised
SHLD = shield

SW = switch
V = volt
VIO = violet
WHT = white
XMTR = transmitter
YEL = yellow
Z = impedance

526T Series II Model (others)	WHITE (white)	SHIELD (shield)	YELLOW (black)	RED (red)	BLUE	BLACK	Notes
ITT							
CB4000M	#2	#1	#4	#3	#1	NC	1, 2
4400M	#1	#2	#3	#4	#2	NC	1, 2
RAY JEFFERSON							
CB-705	#1	#2	#4	#3	#2	NC	1, 2
CB-707	RED	SHLD	WHT	YEL	BLK	BLU	6
CB-711	YEL	SHLD	VIO	RED	SHLD	NC	1, 2
CB-905	RING	SLEEVE	NC	TIP	SLEEVE	NC	4
CB-701	#1	#2	#3	#4	#2	NC	1, 2, 4
CB-845	#1	#2	#3	#4	#2	NC	1, 2
CB-740	#1	#2	#4	#3	#2	NC	1, 2
JET SOUNDS							
CB-7000	#1	#4	NC	#2	#4	NC	
J. I. L.							
852CB	#1	#3	NC	#5	#3	NC	2
606CB	#1	#2	#5	#3	#2	NC	1, 2
615CB, 860CB							8
E. F. JOHNSON							
Messenger 4135	WHT	SHLD	YEL	BLU	RED	BLK	6
Messenger 4250	#2	#4	NC	#3	#4	NC	2
Viking 260, 270	#1	#6	#4	#5	#2	#3	6
351, Messenger III Revised	AUDIO	CKT GND	NC	XMTR CKT	CKT GND	NC	2
Messenger 123C, D, E, F, G (Rev.); 110; 100	AUDIO	CKT GND	LS GND	XMTR CKT	CKT GND	NC	1, 2
Messenger II (242-162/-163)	AUDIO	CKT GND	LS GND	XMTR CKT	CKT GND	NC	1, 2, 4
Messenger 323, 323M, 320, 300, III	AUDIO	CKT GND	NC	XMTR CKT	CKT GND	NC	2
Messenger 124, 124M, 223	#1	#4	#2	#3	#4	NC	1, 4
Messenger 120	WHT	SHLD	BLK	BLU	RED	YEL	6
Messenger 120A, 121, 130A, 350							8
Messenger 122, 191, 123A, 323A, 4120, 4140, 4145, 4230	WHT	SHLD	YEL	BLU	RED	BLK	6
Messenger 123B, -123SJ	WHT	SHLD	YEL	BLU	ORN	BLK	6
Messenger 125	AUDIO	11.8V PWR SPLY	LS	XMTR	11.8V PWR SPLY	RCVR	6
Messenger 250	#1	CKT GND	#4	#5	#2	#3	6

NOTES

1. When using the 526T only (not the Series II) with this transceiver, cut the internal GRAY lead of the microphone.
2. When using the 526T only (not the Series II) with this transceiver, cut the internal WHITE lead of the microphone from the amplifier to the press-to-talk switch (see Figure 4).
3. When using the 526T only (not the Series II) with this transceiver, cut the internal BLUE lead. Refer to the Isolated Switching section of the data sheet.
4. This transceiver requires a high-impedance audio input. When using the CB41, CB42, CB43, CB44, and CB45, the GREEN audio lead replaces the WHITE audio lead.
5. This transceiver requires an isolated switching contact when using the CB41, CB42, CB43, CB44, and CB45. Refer to the Isolated Switching section of the data sheet for circuit modification instructions (see Figure 3).
6. This transceiver is recommended for use only with the 526T Series II.
7. When using the 526T Series II with this transceiver, the YELLOW lead is not used.
8. This transceiver is not recommended for use with Shure Citizens Band microphones.
9. This transceiver is recommended for use only with the 526T Series II after special internal modifications are made. Refer to the data sheet, or write to Shure Brothers Incorporated.

526T Series II Model (others)	WHITE (white)	SHIELD (shield)	YELLOW (black)	RED (red)	BLUE	BLACK	Notes
E. F. JOHNSON							
4170, 4175	#1	#6	#4	#5	#2	#3	6
Viking 352, 352D, 4740	#1	#5	NC	#2	#5	NC	2
Messenger 4230, 40; Viking 230, 430	#1	#6	#4	#5	#2	#3	6
Viking 4740	#1	#6	NC	#2	#6	NC	2
Viking 200	WHT	SHLD	YEL	BLU	RED	BLK	6
Messenger 92/40, Viking 4330, 4360							8
Messenger 80 (242- 0080), 50 (242- 0050-01)	#1	#6	#4	#5	#2	#3	6
Messenger 4730	#1	#5	NC	#2	#5	NC	2
KAAR							
TR336 (SkyLark I), TR337 (Skyhawk II)	WHT	CKT GND	NC	BLK	CKT GND	NC	2
6/117TR333/B, 12/1117TR333/B, 32/TR333B	RING	SLEEVE	NC	TIP	SLEEVE	NC	2, 4
TR327/A/B							8
TR335 (Skyhawk)	WHT	CKT GND	NC	BLK	CKT GND	NC	2, 4
KENWOOD							
TR-7400A	#1	#3	#4	#2	#3	NC	1, 2
TR-7600	#1	#5	#4	#2	#4	NC	2, 3, 5, 7
TR-8300, T-599	#1	#4	NC	#2	#4	NC	2
TS-120S, -120, -180	#1	#4	#3	#2	#3	NC	2, 3, 5, 7
TS-520, -520S, -820	#1	#4	#2	#3	#2	NC	2, 3, 4, 5, 7
TS-700SP	#1	#4	#3	#2	#3	NC	2, 3, 5, 7
K MART							
D40	#1	#2	#3	#4	#2	NC	1, 2
KNIGHT							
KN-2500, KN-2550, KN-2580, KN-2585	#3	#4	#5	#1	#4	NC	1, 4
KN-2526, KN-2565, KN2567	#1	#2	NC	#3	#2	NC	4
KN-2560	#1	#4	NC	#2	#4	NC	4
KN-2590	AUDIO- WHT	GND-SHLD	LS CKT- BLK	XMTR CKT- RED	GND-SHLD	NC	1, 4
KRACO							
KCB-2320A, KCB-2310A, KCB-2330B	#1	#2	#3	#4	#2	NC	1, 2
KCB-2370	#5	#3	NC	#1	#3	NC	2
KCB-1401	#1	#4	NC	#3	#4	NC	
KB-2355	#1	#2	#3	#4	#2	NC	
KCB-1300	YEL	SHLD	BLK	WHT	SHLD	NC	1, 2
KCB-2390	YEL	SHLD	VIO	RED	SHLD	NC	1, 2

ABBREVIATIONS

BLK = black
BLU = blue
BRN = brown
CHAS = chassis
CKT = circuit
CTR = center
GND = ground
GRN = green
HI = high

LO = low
LS = loudspeaker
MIC = microphone
NC = no connection
ORN = orange
PWR SPLY = power supply
RCVR = receiver
Rev = revised
SHLD = shield

SW = switch
V = volt
VIO = violet
WHT = white
XMTR = transmitter
YEL = yellow
Z = impedance

526T Series II Model (others)	WHITE (white)	SHIELD (shield)	YELLOW (black)	RED (red)	BLUE	BLACK	Notes
KRACO							
KCB-1307	#1	#6	#2	#5	#4	#3	6
KCB-2320, -2340, -4010, -4020, -4030	#1	#2	#3	#4	#2	NC	1, 2
KCB-4070	#1	#2	#5	#3	#2	NC	1, 2
KCB-4088	#1	#2	#4	#3	#2	NC	1, 2
KCB-4060, -4090, -4095							8
KCB-4003	#1	#2, 4	NC	#3	#2, 4	NC	2
KCB-4004	#2	#1	#4	#3	#1	NC	1, 2
KCB-4005, -4001, -4045	#1	#2	#3	#4	#2	NC	1, 2
KCB-4000	YEL	SHLD	VIO	RED	SHLD	NC	1, 2
KRIS							
T23B, 99er, Vega 23 +	AUDIO #1	GND #4	NC NC	RELAY #2	GND #4	NC NC	4
Valiant, Ventura	#1	#2	#4	#3	#2	NC	1
Victor, Victor II	#1	#2	#4	#3	#2	NC	1, 4
XL23, XL25, XL30, XL50	#1	#2	#4	#3	#2	NC	2
XL70	#1	#4	#3	#2	#4	NC	
XL23A	#1	#2	#4	#3	#2	NC	1, 2
XL45	#1	#2	#4	#3	#2	NC	2
LAFAYETTE							
HB-640	#1	#3	#5	#2	#3	NC	1, 2
LM-100, Dyna-Com 3C, LM-300	#1	#2	#3	#4	#2	NC	1, 2
Comstat-525	#1	#3	#5	#2	#3	NC	1, 2
Telstat 1050, SSB-140	#1	#4	#5	#2	#4	NC	1, 2
HB-4000	#1	#2	#4, 5	#3	#2	NC	1, 2
Telstat 1240, Dyna-Com 40	#1	#2	NC	#4	#2	NC	2
LM-200	#1	#2	NC	#3	#2	NC	2
LM-400							8
Comstat 19, 23, 23 Mark V, 35; HB-400; HB-444; HB-444/25A	#1	#4	#3	#2	#4	NC	1, 4
Comstat 23, 25A, 25B	#1	#4	NC	#2	#4	NC	4
Comstat 23 Mark VI	#1	GND	#3	#2	GND	NC	4
HB-23, HB-502, HB-502A, Micro 12, Telsat SSB-25	#2	#4	#3	#1	#4	NC	1

NOTES

1. When using the 526T only (not the Series II) with this transceiver, cut the internal GRAY lead of the microphone.
2. When using the 526T only (not the Series II) with this transceiver, cut the internal WHITE lead of the microphone from the amplifier to the press-to-talk switch (see Figure 4).
3. When using the 526T only (not the Series II) with this transceiver, cut the internal BLUE lead. Refer to the Isolated Switching section of the data sheet.
4. This transceiver requires a high-impedance audio input. When using the CB41, CB42, CB43, CB44, and CB45, the GREEN audio lead replaces the WHITE audio lead.
5. This transceiver requires an isolated switching contact when using the CB41, CB42, CB43, CB44, and CB45. Refer to the Isolated Switching section of the data sheet for circuit modification instructions (see Figure 3).
6. This transceiver is recommended for use only with the 526T Series II.
7. When using the 526T Series II with this transceiver, the YELLOW lead is not used.
8. This transceiver is not recommended for use with Shure Citizens Band microphones.
9. This transceiver is recommended for use only with the 526T Series II after special internal modifications are made. Refer to the data sheet, or write to Shure Brothers Incorporated.

526T Series II Model (others)	WHITE (white)	SHIELD (shield)	YELLOW (black)	RED (red)	BLUE	BLACK	Notes
LAFAYETTE							
HB-625, HB-625A, HB-823A	#3	#2	#1	#4	#2	NC	1
HB-333, HE-90	#3	#4	#5	#1	#4	NC	1, 4
HA-100, HB-111, HB-222, HE-20AWX, HE-20B, HE-20C	#3	#2	NC	#1	#2	NC	4
Com-Phone Mark II	#1	#3, 4	NC	#2	#3, 4	NC	1, 2
SSB-75, Telsat	#1	#4	#5	#2	#4	NC	1, 2
SSB-100, Telsat 1140, HB640, HB650, HB740, HB750, HB940, HB950, Micro 223A							
HB-115A	#3	#4	#1	#5	#4	NC	4
HB-200	#3	#4	#2	#1	#4	NC	1, 4
HA-450, HE-20T	#2	#3	#4	#1	#3	NC	1
HE-20TA, Micro 923	AUDIO	GND	NC	RELAY	GND	NC	
HB-501, HB-555, HB-555 (Rev)	#4	#3	#1	#2	#3	NC	1
HB-500/-501; HB-600; Micro 23; Telsat SSB-25A; SSB-50, SSB-50A; 50, 150, 924, 925	CTR	GND	NC	RELAY	GND	NC	1
HB-525A/B; HB-525C, D, E, F; Telstat 23	#4	#3	#2	#1	#3	NC	1
Micro 66	#1	#2	#4	#3	#2	NC	1
HE-15B	#3	#1	NC	NC	#1	NC	2, 4
HB-550	#4	#1	NC	#2	#3	#5	6, 7
Micro-723, Telstat 1023, 1000; HB-700	#1	#4	NC	#2	#3	#5	6, 7
Com-Phone 23A	RED	SHLD	BLU	BLK	SHLD	NC	1, 2
LAKE							
400	#1	#4	NC	#2	#3	#5	6
600	#1	#2	#4	#3	#2	NC	1, 2
410	#1	#2	#3	#4	#2	NC	1, 2
450	#4	#1	#3	#5	#1	NC	1, 2
750	#4	#1	#2	#3	#2	NC	2, 3, 5, 7
650	#1	#2	NC	#4	#2	NC	2
5000, 5100	#1	#2	NC	#3	#2	NC	2
LASALLE							
LA-101-AN	#1	#2	#4	#3	#2	NC	1, 2, 4
MARK PRODUCTS							
Invader 23	RING	SLEEVE	NC	TIP	SLEEVE	NC	2
Lancer 23	AUDIO	CHAS GND	NC	XMTR CKT	CHAS GND	NC	2

ABBREVIATIONS

BLK = black
 BLU = blue
 BRN = brown
 CHAS = chassis
 CKT = circuit
 CTR = center
 GND = ground
 GRN = green
 HI = high

LO = low
 LS = loudspeaker
 MIC = microphone
 NC = no connection
 ORN = orange
 PWR SPLY = power supply
 RCVR = receiver
 Rev = revised
 SHLD = shield

SW = switch
 V = volt
 VIO = violet
 WHT = white
 XMTR = transmitter
 YEL = yellow
 Z = impedance

526T Series II Model (others)	WHITE (white)	SHIELD (shield)	YELLOW (black)	RED (red)	BLUE	BLACK	Notes
MEDALLION							
63-540	#1	#2	NC	#3	#2	NC	2
63-030							8
63-200, -240	#1	#2	#4, 5	#3	#2	NC	1, 2
METROTEK							
Charger, Bronco							8
Colt 23	RING	SLEEVE	NC	TIP	SLEEVE	NC	4
Pacer, Pacer II, Mustang	WHT	CHAS GND	BLK	RED	CHAS GND	NC	1, 4
MIDLAND							
13-863, 13-887, 13-898, 13-898B	#1	#2	NC	#3	#2	NC	2
13-870C, 13-870D, 13-871, 13-872, 13-873	RING	SLEEVE	NC	TIP	SLEEVE	NC	
13-881, 13-890	AUDIO	GND	NC	XMTR	GND	NC	
13-881B, 13-893, 13-895	#1	#2	NC	#4	#2	NC	
13-800	RED	CKT GND	BLU	WHT	BLU	NC	3, 5, 7
13-150	AUDIO	CHAS GND	CKT GND	XMTR	CKT GND	NC	2, 3, 5, 7
13-160, 13-856	AUDIO	GND	LS	XMTR	GND	NC	1, 4
13-844, 13-879, 13-883, 13-864, 13-883B	#1	#2	#4	#3	#2	NC	1
13-888B	#2	#5	#4	#3	#5	NC	1, 2
13-845, 13-868, 13-874, 13-876, 13-878, 13-877, 13-880B, 13-880, 13-885, 13-891	TIP	SLEEVE	NC	RING	SLEEVE	NC	
77-888	#1	#5	#4	#3	#5	NC	1, 2
13-869	#4	#3	#1	#2	#3	NC	1
13-862, 13-862B, 13-879B, 13-866, 13-867, 13-857, 13-882B, 13-892, 13-852, 13-884, 13-882B, C, 13-858, 13-857B, 13-863B, 77-857, 13-853, 13-830, 77-882	#1	#2	#3	#4	#2	NC	1, 2
13-882	#1	#4	NC	#2	#3	#5	6, 7
13-896	#1	#2	NC	#3	#4	#5	6, 7
13-995	#1	#2	#6	#3	#6	NC	3, 5, 7
13-886	#5	#1	#2	#3	#1	NC	1, 2
13-866, 13-861, 77-955							8

NOTES

1. When using the 526T only (not the Series II) with this transceiver, cut the internal GRAY lead of the microphone.
2. When using the 526T only (not the Series II) with this transceiver, cut the internal WHITE lead of the microphone from the amplifier to the press-to-talk switch (see Figure 4).
3. When using the 526T only (not the Series II) with this transceiver, cut the internal BLUE lead. Refer to the Isolated Switching section of the data sheet.
4. This transceiver requires a high-impedance audio input. When using the CB41, CB42, CB43, CB44, and CB45, the GREEN audio lead replaces the WHITE audio lead.
5. This transceiver requires an isolated switching contact when using the CB41, CB42, CB43, CB44, and CB45. Refer to the Isolated Switching section of the data sheet for circuit modification instructions (see Figure 3).
6. This transceiver is recommended for use only with the 526T Series II.
7. When using the 526T Series II with this transceiver, the YELLOW lead is not used.
8. This transceiver is not recommended for use with Shure Citizens Band microphones.
9. This transceiver is recommended for use only with the 526T Series II after special internal modifications are made. Refer to the data sheet, or write to Shure Brothers Incorporated.

526T Series II Model (others)	WHITE (white)	SHIELD (shield)	YELLOW (black)	RED (red)	BLUE	BLACK	Notes
MIDLAND							
13-801, 13-854	RED	CKT GND	BLK	WHT	CKT GND	NC	1, 2
13-976; 76-858, -863; 77-825, -830, -857	#1	#2	#3	#4	#2	NC	1, 2
76-886	#1	#3	#5	#2	#3	NC	1, 2
77-838, -849	#2	#6	#12	#4	#6	NC	1, 2
77-861, -899							8
77-883	#1	#2	#4	#3	#2	NC	1, 2
77-892	#1	#2, 4	#3	#6	#4	NC	1, 2
77-824C, 79-891, 150M (77-150), 200M (77-200), 3001 (77-003), 4001 (77-004), 5001 (77-005), 6001 (79-006), 7001 (79-007)	#1	#2	#3	#4	#2	NC	1, 2
100M	#1	#3	#5	#2	#3	NC	1, 2
77-963, -824B, -821, -856, -859, -101B; 78-574; 76-860, 78-999, 77-101C	#1	#2	#3	#4	#2	NC	1, 2
79-893	#1	#2	#3	#4	#3	NC	2, 3, 5, 7
63-445; 77-889, -861B; 79-900							8
13-509	#1	#2	NC	#3	#2	NC	2, 4
13-510, -510A, -513	#1	#2	NC	#4	#2	NC	2
MOPAR							
4094173	#1	#2	#5	#3	#2	NC	
4094176, 4094177, 4094178, 4094179	#1	#2	#3	#4	#2	NC	1, 2
MORSE / ELECTRO- PHONIC							
CB700, CB800, 3005	#1	#2	#3	#4	#2	NC	1, 2
CB2000	#1	#2	#4	#3	#2	NC	1, 2
2001	#1	#2	NC	#3	#2	NC	
MOTOROLA							
T4000A, T4005A, T4010A, T4020A, T4025A, T4009A, CT950AX							8
CF925AX	#1	#2	#4, 5	#3	#2	NC	1, 2
CB40	#4	#3	#2	#1	#3	NC	1, 2
NDI							
PC-101, -102, -200	#2	#1	NC	#3	#1	NC	2
PC-201	#2	#4	NC	#3	#4	NC	2

ABBREVIATIONS

BLK = black
 BLU = blue
 BRN = brown
 CHAS = chassis
 CKT = circuit
 CTR = center
 GND = ground
 GRN = green
 HI = high

LO = low
 LS = loudspeaker
 MIC = microphone
 NC = no connection
 ORN = orange
 PWR SPLY = power supply
 RCVR = receiver
 Rev = revised
 SHLD = shield

SW = switch
 V = volt
 VIO = violet
 WHT = white
 XMTR = transmitter
 YEL = yellow
 Z = impedance

526T Series II Model (others)	WHITE (white)	SHIELD (shield)	YELLOW (black)	RED (red)	BLUE	BLACK	Notes
PACE							
C123A, 123A (latest production)	#4	#2	NC	#1	#2	NC	2
223, 2376	AUDIO	CHAS GND	NC	RELAY	CHAS GND	NC	1, 2
CB1023, CB1023B	TIP	SLEEVE	NC	RING	SLEEVE	NC	
5000	#8	#6	#7	#9	#6	NC	
133, CB143, 100ASA-1	#4	#2	NC	#1	#2	NC	2
2376B	CLEAR	BRAID	BLK	RED	BRAID	NC	2
CB144	#1	#4	NC	#2	#4	NC	2
8010A, 8015A	#4	#3	NC	#1	#3	NC	1, 2
PAL							
Roadrunner 23	#4	#1	NC	#2	#1	NC	1, 2
Coyote 23	#1	#2	#3	#4	#2	NC	1, 2
PALOMAR							
SSB2900; 4100	#1	#2	#3	#4	#2	NC	1, 2
21, 49	#2	#1	#4	#3	#1	NC	1, 2
SSB500	AUDIO	CKT GND	NC	RELAY	CKT GND	NC	2
SSB-500	#2	#1	NC	#3	#1	NC	2
71B, 73	RING	SLEEVE	NC	TIP	SLEEVE	NC	2, 4
Digicom 100	#1	#3	NC	#2	#3	NC	4
PANASONIC							
CR-B1717EU, CR-B4747EU	#1	#3	#5	#2	#3	NC	2
RJ-3200	#2	#4	#1	#3	#4	NC	1, 2
RJ-3100	#1	#2	#4	#3	#2	NC	1, 2
CR-B4737EU	#1	#3	NC	#2	#3	NC	1, 2
CQ-B5919EU	#1	#3	NC	#2	#3	NC	2
RJ-3250, -3150, -3050	#1	#2	#4	#3	#2	NC	1, 2
RJ-3660, -3600	#2	#4	#1	#3	#4	NC	1, 2
RJ-3450							8
PEARCE-SIMPSON							
Bobcat 23	#1	#3	NC	#5	#3	NC	2, 4
Bobcat 23B, Sentry	AUDIO	GND	GND	RELAY	GND	NC	2
Bobcat 23C, Puma 23B	#4	#2	#3	#1	#2	NC	1, 2
Cheetah SSB; Cougar 23 (latest production); Bearcat 23, 23/B; Tiger 23; Panther SSB; Bengal SSB; Tomcat	#1	#2	NC	#3	#2	NC	
Director, Director (Rev), Escort, Escort II	AUDIO-WHT	GND-SHLD	NC	RELAY-RED	GND-SHLD	NC	4
Guardian 23, 23B	#1	SHELL	NC	#2	SHELL	NC	4

ABBREVIATIONS

BLK = black
 BLU = blue
 BRN = brown
 CHAS = chassis
 CKT = circuit
 CTR = center
 GND = ground
 GRN = green
 HI = high

LO = low
 LS = loudspeaker
 MIC = microphone
 NC = no connection
 ORN = orange
 PWR SPLY = power supply
 RCVR = receiver
 Rev = revised
 SHLD = shield

SW = switch
 V = volt
 VIO = violet
 WHT = white
 XMTR = transmitter
 YEL = yellow
 Z = impedance

526T Series II Model (others)	WHITE (white)	SHIELD (shield)	YELLOW (black)	RED (red)	BLUE	BLACK	Notes
PEARCE-SIMPSON Bearcat 23C; Cougar 23B; GM 23; Lynx 23; Puma 23; Super Lynx; Tiger 23B, 23C; Simba SSB (latest production), Puma 23C, Bobcat 23E, Tiger Mark 2 Panther	#1	#2	#3	#4	#2	NC	1, 2
	AUDIO	GND	LS	XMTR	11.4V PWR SPLY	RCVR	6
Alleycat 23, Tomcat 23, 23B; 2301 2302, Pussycat 23 Wildcat, Wildcat II Bobcat 23D Lion 40, Tiger 40, Tiger 40A, Super Tiger 40A Leopard B Jaguar 40B	AUDIO	CKT GND	LS CKT	XMTR CKT	CKT GND	NC	1, 2
	#2	#1	#3	#4	#1	NC	1 8
	#2	#4	#3	#1	#4	NC	1, 2
	#1	#2	#3	#4	#2	NC	1, 2
	#1	#3	NC	#2	#3	NC	1, 2
	#2	#1	NC	#3	#1	NC	2
J.C. PENNEY 981-6218, -6216, -6247, 6221, 6237 981-6225; 681-6241 981-6204 981-6255 985-6050 (Pinto 23) 981-6051 (Golden Pinto), 985-6060 (Pinto 23) 981-6075 (Pinto SSB) 981-6200, 981-6201 981-6210 (Pinto), 981-6230 (Pinto) 981-6212 (Pinto), 981-6220, 981- 6235 (Pinto), 981-6240, 981- 6213, 981-6235	#2	#1	#4	#3	#1	NC	1, 2
	#2	#1	NC	#3	#1	NC	2
	#1	#3	#5	#2	#3	NC	1, 2 8
	#3	#1	NC	#2	#1	NC	2
	#2	#1	NC	#3	#1	NC	
	AUDIO	GND	NC	RELAY	GND	NC	
	AUDIO-WHT	GND-SHLD	LS CKT- RED	XMTR CKT- GRN	GND-SHLD	NC	1
	#1	#2	#3	#4	#2	NC	1
	#2	#1	#4	#3	#1	NC	1, 2
PIONEER GT-1100G, -6600	#1	#2	#4, 5	#3	#2	NC	1, 2

NOTES

1. When using the 526T only (not the Series II) with this transceiver, cut the internal GRAY lead of the microphone.
2. When using the 526T only (not the Series II) with this transceiver, cut the internal WHITE lead of the microphone from the amplifier to the press-to-talk switch (see Figure 4).
3. When using the 526T only (not the Series II) with this transceiver, cut the internal BLUE lead. Refer to the Isolated Switching section of the data sheet.
4. This transceiver requires a high-impedance audio input. When using the CB41, CB42, CB43, CB44, and CB45, the GREEN audio lead replaces the WHITE audio lead.
5. This transceiver requires an isolated switching contact when using the CB41, CB42, CB43, CB44, and CB45. Refer to the Isolated Switching section of the data sheet for circuit modification instructions (see Figure 3).
6. This transceiver is recommended for use only with the 526T Series II.
7. When using the 526T Series II with this transceiver, the YELLOW lead is not used.
8. This transceiver is not recommended for use with Shure Citizens Band microphones.
9. This transceiver is recommended for use only with the 526T Series II after special internal modifications are made. Refer to the data sheet, or write to Shure Brothers Incorporated.

526T Series II Model (others)	WHITE (white)	SHIELD (shield)	YELLOW (black)	RED (red)	BLUE	BLACK	Notes
POLY-COMM							
Pro	#1	#2	#4	#3	#2	NC	1, 2, 4
Senior 23	#1	#2	NC	#3	#2	NC	2, 4
PRESIDENT							
Washington	#2	#1	NC	#3	#1	NC	
John Q, Teddy R, Honest Abe, Dwight D, Zachary T, Grant	#2	#1	#4	#3	#1	NC	1, 2
Adams, Madison, Old Hickory	#2	#1	#4	#3	#1	NC	1, 2
1012001 Andrew J., 1013001 Thomas J., 1002002 Zachary T., 1003002 Dwight D., 1014001 Veep	#2	#1	#4	#3	#1	NC	1, 2
1011001 McKinley, 1001002 Washington	#1	#2, 4	#3	#5	#2, 4	NC	1, 2
1010002 Madison, 1005002 Grant	#1	#2	#3	#5	#2	NC	1, 2
AR-14, -44	#2	#1	#4	#3	#1	NC	1, 2
AR-7	#1	#3	#5	#2	#3	NC	1, 2
1015001 James K.							8
RADIOCOM							
27C-2A, -2B, -2C	#2	#1	NC	#4	#1	NC	2, 4
RAYTHEON							
Raycom							8
Raycom IV	#2	#4	NC	#3	#4	NC	2
RCA							
Mark VIII, Mark Nine	WHT	CHAS GND	RED	BLK	CHAS GND	NC	1, 2, 4
Mark 10	AUDIO	CHAS GND	NC	XMTR CKT	CHAS GND	NC	2, 4
14T 100/200, Co-Pilots 14T 270	#1	#2	#3	#4	#2	NC	1, 2
14T 400	#1	#3	NC	#2	#3	NC	1, 2
14T 410	#1	#3	#5	#2	#3	NC	
14T303	#1	#2	#3	#4	#2	NC	1, 2
14T405	#1	#3, 5	NC	#2	#3, 5	NC	2
14T305, 14T275							8
14T260, 14T300, 14T301, 14T302, 14T304	#1	#2	#3	#4	#2	NC	1, 2
REALISTIC							
TRC-424, -452, -458, -466, -467, -468	#4	#1	#5	#3	#1	NC	1, 2
TRC-449, -457	#4	#1	NC	#3	#1	NC	1, 2
TRC-461							8

ABBREVIATIONS

BLK = black
 BLU = blue
 BRN = brown
 CHAS = chassis
 CKT = circuit
 CTR = center
 GND = ground
 GRN = green
 HI = high

LO = low
 LS = loudspeaker
 MIC = microphone
 NC = no connection
 ORN = orange
 PWR SPLY = power supply
 RCVR = receiver
 Rev = revised
 SHLD = shield

SW = switch
 V = volt
 VIO = violet
 WHT = white
 XMTR = transmitter
 YEL = yellow
 Z = impedance

526T Series II Model (others)	WHITE (white)	SHIELD (shield)	YELLOW (black)	RED (red)	BLUE	BLACK	Notes
REALISTIC							
TRC-5	AUDIO-WHT	GND-SHLD	LS CKT- RED	XMTR CKT- BLK	GND-SHLD	NC	1, 4
TRC-8D	#3	#4	#2	#1	#4	NC	1, 4
TRC-10A	#3	#4	#2	#1	#4	NC	1, 2
TRC-18	#2	#1	#3	#4	#1	NC	3, 5
Americana 23 +	#2	SHELL	NC	#1	SHELL	NC	4
Mini 23B	AUDIO	GND	LS CKT	XMTR CKT	GND	NC	1
TRC-23B	AUDIO	GND	NC	RELAY	GND	NC	
TRC-X23A	#2	#1	NC	#3	#1	NC	4
TRC-23C, -24A, -55, -58, -52, -68	#4	#1	#5	#3	#1	NC	1, 2
TRC-448	#4	#1	NC	#3	#1	NC	2
TRC-440, -456, -455, -469, -454, -431, -426, -205, -204, -422	#4	#1	#5	#3	#1	NC	1, 2
TRC-209	#4	#2	#5	#3	#2	NC	1, 2
TRC-471	#1	#2	#4, 5	#3	#2	NC	1, 2
TRC-462							8
TRC-24	#1	#3	NC	#5	#3	NC	1, 2
TRC-24B, -30, -30A, -50	#4	#1	#5	#3	#1	NC	1
TRC-24C, -46, -47, -57, -48	#4	#1	NC	#3	#1	NC	1, 2
TRC-29	#1	#3	#5	#4	#5	NC	3, 5, 7
TRC-40 (Navajo Pro)	#1	#3	NC	#5	#3	NC	
TRC-49 (Navajo Pro Niner)	#2	#1	NC	#5	#1	NC	
TRC-50B (4 pin)	#4	#2	#1	#3	#2	NC	1
TRC-14, -15	WHT	SHLD	NC	NC	BLK	RED	6
TRC-9, -9A, -11							6, 9
TRC-27A	AUDIO	GND	BLU	YEL	GND	RED	6
TRC-200	#4	#5	#2	#1	#5	NC	7
TRC-61, TRC-180							8
TRC-420, -420-18, -421 (21-1530), -425, -427 (21-1534), -470 (21-1591)	#4	#1	#5	#3	#1	NC	1, 2
TRC-480 (21-1563)							8
REALTONE							
TR-6436	AUDIO	CKT GND	NC	XMTR CKT	CKT GND	NC	

NOTES

1. When using the 526T only (not the Series II) with this transceiver, cut the internal GRAY lead of the microphone.
2. When using the 526T only (not the Series II) with this transceiver, cut the internal WHITE lead of the microphone from the amplifier to the press-to-talk switch (see Figure 4).
3. When using the 526T only (not the Series II) with this transceiver, cut the internal BLUE lead. Refer to the Isolated Switching section of the data sheet.
4. This transceiver requires a high-impedance audio input. When using the CB41, CB42, CB43, CB44, and CB45, the GREEN audio lead replaces the WHITE audio lead.
5. This transceiver requires an isolated switching contact when using the CB41, CB42, CB43, CB44, and CB45. Refer to the Isolated Switching section of the data sheet for circuit modification instructions (see Figure 3).
6. This transceiver is recommended for use only with the 526T Series II.
7. When using the 526T Series II with this transceiver, the YELLOW lead is not used.
8. This transceiver is not recommended for use with Shure Citizens Band microphones.
9. This transceiver is recommended for use only with the 526T Series II after special internal modifications are made. Refer to the data sheet, or write to Shure Brothers Incorporated.

526T Series II Model (others)	WHITE (white)	SHIELD (shield)	YELLOW (black)	RED (red)	BLUE	BLACK	Notes
REGENCY							
Ranger CB-270, Range Gain	AUDIO	GND	NC	RELAY	GND	NC	4
Formula/23, Sprint/23	#1	#2	#3	#4	#3	NC	3, 5, 7
CB-27, CBM-27-6, CBM-27-12	AUDIO-WHT	GND-SHLD	NC	RELAY-RED	GND-SHLD	NC	4
CR-123	TIP	SLEEVE	NC	RING	SLEEVE	NC	
CR-123B	#1	#2	NC	#3	#2	NC	
CR-142, CR-185, CR-230, CR-240	#1	#2	#3	#4	#2	NC	1, 2
CR-186	AUDIO	GND	LS CKT	XMTR CKT	GND	NC	1
Imperial (CB-253), Imperial II (CB-254), Range Gain II, Romper (A-3)	#1	#4	NC	#3	#4	NC	4
Sprint/23 II	#1	#2	#4	#3	#2	NC	1
500, GT-523							8
CR-202	AUDIO-YEL	GND-SHLD	LS-VIO	XMTR-RED	GND-SHLD	NC	1, 2
CB-501, CB-701	#4	#2	#5	#3	#2	NC	1, 2
ROBERTS							
RCB-770	#1	#6	#5	#3	#6	NC	1, 2
ROBYN							
AM-500D, DG-130D, LB-120, SB-510D, SB-520D, SX-401, SX-402D, WV-110, 007-140	#1	#2	#4	#3	#2	NC	1, 2
GT-410D							8
T-240D	#1	#3	NC	#2	#3	NC	4
XL-Two	#4	#3	#1	#2	#1	NC	2, 3, 5, 7
LB-23, WV-23, DG-30, LB-23A, WV-23A	#1	#2	#4	#3	#2	NC	1, 2
BB-123, TR-123C	#1	#2	NC	#4	#2	NC	1, 2
J-123	AUDIO	GND	NC	RELAY	GND	NC	
K-123	#1	#2	#3	#4	#3	NC	2, 3, 5, 7
T-123	AUDIO	GND	NC	RELAY	GND	NC	4
T-123B	#1	#3	NC	#2	#3	NC	4
TR-123B	#2	#1	NC	#3	#1	NC	2
605	#3	#2	#5	#1	#2	NC	1
SS-747B	#1	#4	NC	#2	#4	NC	
XL-One, SX-101, GT-VII	#1	#2	#3	#4	#3	NC	2, 3, 5, 7
440	#1	#2	#3	#4	#2	NC	1, 2
SB-540D	#1	#2	NC	#3	#2	NC	2
SB-505D	#1	#2	#3	#5	#2	NC	1, 2

ABBREVIATIONS

BLK = black
 BLU = blue
 BRN = brown
 CHAS = chassis
 CKT = circuit
 CTR = center
 GND = ground
 GRN = green
 HI = high

LO = low
 LS = loudspeaker
 MIC = microphone
 NC = no connection
 ORN = orange
 PWR SPLY = power supply
 RCVR = receiver
 Rev = revised
 SHLD = shield

SW = switch
 V = volt
 VIO = violet
 WHT = white
 XMTR = transmitter
 YEL = yellow
 Z = impedance

526T Series II Model (others)	WHITE (white)	SHIELD (shield)	YELLOW (black)	RED (red)	BLUE	BLACK	Notes
ROMAR CB-7000 ACT-1914	#1 #1	#4 #2	#3 #3	#2 #4	#4 #2	NC NC	1, 2
ROSS/ELECTRO- PHONIC CB-1000	#1	#2	#4	#3	#2	NC	1, 2
ROYCE 1-600 1-600A, 1-640, 1-601, 1-606, 1-600B, 1-605A, 1-620, 1-602A, 1-603, 1-612, 1-650, 1-624, 1-653B 1-614 1-630 1-631, 1-650A, 1-658, 1-601, 1-700, 1-655 1-590A 1-682 1-617, -662, -673, -675, -678 1-621, -625, -648, -660, -680 1-610, -624, -641, -632 607, 604, 608, 611, 619, 651; 1-604, -608 609 613; 1-581, -582	AUDIO #1 #5 #1 #1 WHT #1 #1 #1 #1 #1 #1 #1 #1 #1	GND #2 #3 #2 #2 SHLD #4 #2 #2 #2 #2 #2 #2	LS CKT #4 NC #4 NC BLK NC NC #4 NC #4 #5	XMTR CKT #3 #1 #5 #3 RED #3 #3 #3 #3 #3 #3 #4	GND #2 #3 #2 SHLD #4 #2 #2 #2 #2 #2 #2	NC NC NC NC NC NC NC NC NC NC NC	1 1, 2 2 1, 2 2 1, 2 1, 2 1, 2 2 1, 2 1, 2 2 1, 2 1, 2 8
RYSTL CB-523 CBR-1700, CBR-1800 CBR-2100	#1 #1 #2	#2 #2 #1	#2 #3 #4	#3 #4 #3	#2 #2 #1	NC NC NC	2 1 1
SANKYO SCS-555	#2	#1	NC	#3	#1	NC	2
SANYO TA-2000, -4000, -6000	#2	#4	#1	#3	#4	NC	1, 2
SBE Land Command LCB-8	#1	#4	#3	#5	#4	NC	1, 2

NOTES

1. When using the 526T only (not the Series II) with this transceiver, cut the internal GRAY lead of the microphone.
2. When using the 526T only (not the Series II) with this transceiver, cut the internal WHITE lead of the microphone from the amplifier to the press-to-talk switch (see Figure 4).
3. When using the 526T only (not the Series II) with this transceiver, cut the internal BLUE lead. Refer to the Isolated Switching section of the data sheet.
4. This transceiver requires a high-impedance audio input. When using the CB41, CB42, CB43, CB44, and CB45, the GREEN audio lead replaces the WHITE audio lead.
5. This transceiver requires an isolated switching contact when using the CB41, CB42, CB43, CB44, and CB45. Refer to the Isolated Switching section of the data sheet for circuit modification instructions (see Figure 3).
6. This transceiver is recommended for use only with the 526T Series II.
7. When using the 526T Series II with this transceiver, the YELLOW lead is not used.
8. This transceiver is not recommended for use with Shure Citizens Band microphones.
9. This transceiver is recommended for use only with the 526T Series II after special internal modifications are made. Refer to the data sheet, or write to Shure Brothers Incorporated.

526T Series II Model (others)	WHITE (white)	SHIELD (shield)	YELLOW (black)	RED (red)	BLUE	BLACK	Notes
SBE							
Land Command LCM-8	#4	#2	#1	#5	#2	NC	1, 2
26CB/A, 45CB, 42CB, 44CB (Malibu 40), 54CB	#2	#1	#3	#4	#3	NC	2, 3, 5, 7
Land Command LCM-5	#2	#1	#4	#3	#1	NC	1, 2
Land Command LCM-8P							8
1CB (Coronado) 10CB (Coronado II), 11CB (Trinidad), 12CB (Sidebander II)	AUDIO #2	GND #3	NC NC	RELAY #4	GND #3	NC NC	2
6CB	#2	#3	NC	#1	#3	NC	
7CB (Sierra)	#1	#2	#3	#4	#3	NC	3, 5, 7
8CB (Console), 16CB (Console II)	#2	#1	NC	#3	#1	NC	
9CB (Catalina) 14CB (Super Console)	AUDIO #2	GND #4	+ 12V NC	RELAY #3	+ 12V #4	NC NC	3, 5, 7
21CB (Cortez), 18CB (Side- bander III), 26CB (Formula D), 29CB (Catalina/ Malibu)	#2	#1	#3	#4	#3	NC	3, 5, 7
22CB (Catalina II) 23CB (Capri II)	AUDIO WHT	CKT GND SHLD	LS CKT BLU	XMTR CKT BLK	CKT GND RED	NC BRN	1, 2 6
32CB, 34CB (Brute) 26CB, 30CB	WHT #2	SHLD #1	NC #4	RED #3	BRN #4	GRN NC	6 1, 2, 3, 5, 7 8
31CB (Shasta I), 24CB (Shasta III) 39CB (Sidebander V), 40CB (Console V)	#2	#1	NC	#3	#1	NC	
41CB (Aspen) 43CB, 47CB (Stowaway)	#2	#1	#3	#4	#3	NC	3, 5, 7 8
49CB (Tahoe 40)	#4	#2	#1	#5	#2	NC	1, 2
M.H. SCOTT							
Daks Mark IX	#1	#2	#3	#4	#2	NC	
SEARS							
370-38050700	#4	#1	#3	#5	#1	NC	2
562-38200700; 934-36771500, -36772600	#4	#1	#5	#3	#1	NC	1, 2
934-38270700	#4	#1	NC	#3	#1	NC	
663-38000900, -38020800	#4	#1	#5	#3	#1	NC	1, 2

ABBREVIATIONS

BLK = black
BLU = blue
BRN = brown
CHAS = chassis
CKT = circuit
CTR = center
GND = ground
GRN = green
HI = high

LO = low
LS = loudspeaker
MIC = microphone
NC = no connection
ORN = orange
PWR SPLY = power supply
RCVR = receiver
Rev = revised
SHLD = shield

SW = switch
V = volt
VIO = violet
WHT = white
XMTR = transmitter
YEL = yellow
Z = impedance

526T Series II Model (others)	WHITE (white)	SHIELD (shield)	YELLOW (black)	RED (red)	BLUE	BLACK	Notes
SEARS							
934-38260701	#1	#4	#5	#3	#4	NC	1, 2
934-38310700	#4	#1	NC	#3	#1	NC	2
663-38070700; 934-38080700, -38110700, -38120700, -38081700, -38060700, -38062700, -38310700	#4	#1	#5	#3	#1	NC	1, 2
934-38260700	#4	#1	NC	#3	#1	NC	2
934-38160700; 242-38160700							8
7535	#1	#4	#2	#3	#4	NC	1, 2, 4
6556	AUDIO	CKT GND	LS GND	XMTR CKT	CKT GND	NC	1
6562, 6563, 6558	AUDIO	CKT GND	NC	XMTR CKT	CKT GND	NC	
6550, 7531	AUDIO	CHAS GND	LS GND	XMTR CKT	CHAS GND	NC	1, 4
6554	#1	#2	NC	#4	#2	NC	2
6552, 6553	WHT	CKT GND	BLK	RED	BLK	NC	2, 3, 4, 5, 7
934-36710500, 934-36770500, 934-36740500	#4	#1	#5	#3	#1	NC	1, 2
3677	#2	#1	NC	#5	#1	NC	2
934-36772600	AUDIO	CKT GND	NC	XMTR CKT	CKT GND	NC	4
SHAKESPEARE							
GBS1500, GBS2500	#1	#2	#3	#4	#2	NC	1, 2
GBS2000	#1	#2	#4	#3	#2	NC	1, 2
GBS240	#1	#2	#3	#4	#2	NC	1, 2
SHARP							
CB-800, -2260	#1	#4	#3	#2	#4	NC	1, 2
CB-2460	#1	#3	NC	#2	#3	NC	1, 2
CB-2170, -4370	#1	#4	NC	#2	#4	NC	2
CB-4470, -4670							8
CBT-58	AUDIO	CHAS GND	NC	XMTR CKT	CHAS GND	NC	2
CB-500UB	AUDIO-YEL	GND	NC	XMTR-VIO	GND	NC	2
CB-700	#1	#4	#3	#2	#4	NC	
CB-750A, CB-800A	#1	#3	NC	#2	#3	NC	1, 2
SILTRONIX							
SSB-23	#1	#4	NC	#2	#4	NC	2
SSB-23A	#1	#2	#4	#3	#2	NC	1, 2
1011B, C, D	RING	SLEEVE	NC	TIP	SLEEVE	NC	2
AM-1, AM-2 (Apache/Mohawk)	#1	#2	NC	#4	#2	NC	

NOTES

1. When using the 526T only (not the Series II) with this transceiver, cut the internal GRAY lead of the microphone.
2. When using the 526T only (not the Series II) with this transceiver, cut the internal WHITE lead of the microphone from the amplifier to the press-to-talk switch (see Figure 4).
3. When using the 526T only (not the Series II) with this transceiver, cut the internal BLUE lead. Refer to the Isolated Switching section of the data sheet.
4. This transceiver requires a high-impedance audio input. When using the CB41, CB42, CB43, CB44, and CB45, the GREEN audio lead replaces the WHITE audio lead.
5. This transceiver requires an isolated switching contact when using the CB41, CB42, CB43, CB44, and CB45. Refer to the Isolated Switching section of the data sheet for circuit modification instructions (see Figure 3).
6. This transceiver is recommended for use only with the 526T Series II.
7. When using the 526T Series II with this transceiver, the YELLOW lead is not used.
8. This transceiver is not recommended for use with Shure Citizens Band microphones.
9. This transceiver is recommended for use only with the 526T Series II after special internal modifications are made. Refer to the data sheet, or write to Shure Brothers Incorporated.

526T Series II Model (others)	WHITE (white)	SHIELD (shield)	YELLOW (black)	RED (red)	BLUE	BLACK	Notes
SONAR FS-23, FM-40, E, E (Rev), G, H, FS-3023 J-23	RING	SLEEVE	NC	TIP	SLEEVE	NC	2, 4
	AUDIO	CHAS GND	CKT GND	XMTR CKT	CKT GND	NC	2, 3, 5, 7
SPARKOMATIC CB-2123	#1	#4	NC	#3	#5	#2	6
SQUIRES-SANDERS Skipper Admiral, 23'er, S5S	AUDIO RING	CHAS GND SLEEVE	LS GND NC	CB SW TIP	CHAS GND SLEEVE	NC NC	1, 2, 4 4
STANDARD COMMUNICATIONS Horizon 29 Horizon 29A	#2	#4	#1	#3	#4	NC	1, 2
	#2	#1	#4	#3	#1	NC	1, 2
STEREOSONIC 2355, 2360	#1	#2	#3	#4	#2	NC	1, 2
SUPERSCOPE Aircommand CBR-40 Aircommand CB-640, -340, -140 Aircommand CBB -1040	#1	#2	#4, 5	#3	#2	NC	1, 2
	#1	#2	#4	#3	#2	NC	1, 2
	#1	#2	NC	#3	#2	NC	1, 2
SUPER STAR 360	#1	#2	NC	#5	#4	#3	6
SURVEYOR 2600 2400 2100, 2300 1000 2610 2620 2630	#3	#4	#1	#2	#4	NC	1, 2
	#1	#2	#5	#3	#2	NC	1, 2
	#4	#2	NC	#1	#2	NC	2 8
	#2	#1	#4	#3	#1	NC	1, 2
	#1	#2	#3	#4	#2	NC	1, 2
	#1	#2	#4	#3	#2	NC	1, 2
	#1	#2	#4	#3	#2	NC	1, 2
SWAN 500CX	RING	SLEEVE	NC	TIP	SLEEVE	NC	2, 4
TEABERRY Stalker III Stalker V, XII, XV, XX Five X Five Big "T" Model "T" "T" Charlie One Twin "T" Stalker One, Two "T" Scout	#4	#1	#5	#3	#1	NC	1, 2
	#1	#2	#3	#5	#2	NC	1, 2
	#1	#2	NC	#3	#2	NC	2
	#1	#2	#3	#4	#3	NC	2, 3, 5, 7
	#1	#3	#4	#2	#4	NC	4
	#2	#3	#4	#1	#3	NC	1
	RING	SLEEVE	NC	TIP	SLEEVE	NC	
	#1	#2	NC	#4	#2	NC	2
	AUDIO-YEL	SHLD	VIO	RED	SHLD	NC	1, 2

ABBREVIATIONS

BLK = black
BLU = blue
BRN = brown
CHAS = chassis
CKT = circuit
CTR = center
GND = ground
GRN = green
HI = high

LO = low
LS = loudspeaker
MIC = microphone
NC = no connection
ORN = orange
PWR SPLY = power supply
RCVR = receiver
Rev = revised
SHLD = shield

SW = switch
V = volt
VIO = violet
WHT = white
XMTR = transmitter
YEL = yellow
Z = impedance

526T Series II Model (others)	WHITE (white)	SHIELD (shield)	YELLOW (black)	RED (red)	BLUE	BLACK	Notes
TEABERRY							
Mighty "T"	#4	#1	#5	#3	#1	NC	1, 2 8
Mini "T", Mini "T" II							
Tele "T"	#4	#1	#3	#5	#1	NC	1
"T" Control, Racer "T"	#2	#4	#1	#3	#4	NC	1, 2
Titan "T"	#1	#2	#3	#4	#2	NC	1
"T" Bear (4004), "T" Command, "T" Dispatch	#1	#2	#3	#4	#2	NC	1, 2
"T" Charlie	#2	#4	#1	#3	#4	NC	1, 2
"T" (4011)	#1	#3	#4	#2	#3	NC	4
Stalker IV	#4	#3	#2	#1	#3	NC	1, 2
Stalker IX	#1	#2	#3	#5	#2	NC	1, 2
Stalker VIII	#1	#3	#5	#2	#3	NC	1, 2
TEMPO							
One	RING	SLEEVE	NC	TIP	SLEEVE	NC	2, 4
TENNA							
A0902	#1	#4	#3	#2	#4	NC	1, 2
11302	#1	#2	#3	#5	#3	NC	2, 3, 5, 7
10902	#2	#1	#4	#3	#1	NC	1, 2
10901	#1	#4	#2	#2	#4	NC	1, 2
TEN-TEC							
Argonaut 509	RING	SLEEVE	NC	TIP	SLEEVE	NC	2, 4
Omni D, Triton 4	RING	SLEEVE	NC	TIP	SLEEVE	NC	2, 4, 9
TRAM							
Corsair 464, TR27D/E, XL-100	RING	SLEEVE	NC	TIP	SLEEVE	NC	4
Titan; Titan II, IIA, III, IV, D201	#1	#2	NC	#4	#2	NC	4
Diamond 40, 60, 62, XL, XL5	#2	#1	NC	#3	#1	NC	
D12, D42	#2	#1	NC	#3	#1	NC	
TRS CHALLENGER							
460, 600, 1200	#1	#2	#3	#4	#2	NC	1, 2 8
730							
1400	#1	#2	#3	#4	#2	NC	1, 2
TRUETONE							
DC4530 (Late Production)	AUDIO-RED	SHLD	LS GND- BLK	XMTR CKT- WHT	SHLD	NC	1, 2
MCC4635A-67, DX4370	#1	#2	#4	#3	#2	NC	1, 2
MCC4434A-57	#1	#4	#3	#2	#4	NC	1, 2

NOTES

1. When using the 526T only (not the Series II) with this transceiver, cut the internal GRAY lead of the microphone.
2. When using the 526T only (not the Series II) with this transceiver, cut the internal WHITE lead of the microphone from the amplifier to the press-to-talk switch (see Figure 4).
3. When using the 526T only (not the Series II) with this transceiver, cut the internal BLUE lead. Refer to the Isolated Switching section of the data sheet.
4. This transceiver requires a high-impedance audio input. When using the CB41, CB42, CB43, CB44, and CB45, the GREEN audio lead replaces the WHITE audio lead.
5. This transceiver requires an isolated switching contact when using the CB41, CB42, CB43, CB44, and CB45. Refer to the Isolated Switching section of the data sheet for circuit modification instructions (see Figure 3).
6. This transceiver is recommended for use only with the 526T Series II.
7. When using the 526T Series II with this transceiver, the YELLOW lead is not used.
8. This transceiver is not recommended for use with Shure Citizens Band microphones.
9. This transceiver is recommended for use only with the 526T Series II after special internal modifications are made. Refer to the data sheet, or write to Shure Brothers Incorporated.

526T Series II Model (others)	WHITE (white)	SHIELD (shield)	YELLOW (black)	RED (red)	BLUE	BLACK	Notes
TRUETONE							
MIC4731A-67	#4	#3	#2	#1	#3	NC	1, 2
MCC4774	#3	#1	#4	#2	#1	NC	
MCC4532A-57, MCC4370A-57, MCC4532A-47, MCC4760-67, MCC4770, MIC4434A-67, 4434B-67, MIC4739A-67, MIC4733A-67, CYJ4732A-77, DC4672	#1	#2	#3	#4	#2	NC	1, 2
CYJ4832A-87, CYJ4834A-87, MIC4737A-67 (23-4737-5)	#1	#2	#3	#4	#2	NC	1, 2
CYJ4837A-87	#1	#2, 4	#3	#6	#4	NC	1, 2
MIC4821A-86	AUDIO	CHAS GND	NC	XMTR CKT	CHAS GND	NC	4
1250B, 512 Series B (DX4101)	#2	SHELL	#1	#3	SHELL	NC	1, 4
1250A	AUDIO	CHAS GND	LS GND	XMTR CKT	CHAS GND	NC	1, 2, 4
MIC4350-37	RED	SHLD	NC	WHT	BLU	BLK	6, 7 8
MIC4622A-67 MIC4512A-47, MIC4726A, MCC4724A-77, MCC4720A-77, CYJ4862A-87							
UNIMETRICS							
Stingray II	#1	#3	#5	#2	#3	NC	1, 2
Dolphone	#1	#3	NC	#2	#3	NC	1, 2 8
Sea Horse I, Mako-I							
UTAC							
TR18M	#1	#3	NC	#2	#3	NC	
Micro Mini 23, Super Tiny 23	#1	#6	#2	#5	#4	#3	6
Studio 4000	#1	#3	NC	#2	#3	NC	1, 2, 4
TRX-2000	#3	#2	#5	#1	#2	NC	1, 2, 4
TRX-400	#1	#3	#4	#2	#3	NC	1, 2
TRX-30	#1	#3	NC	#2	#3	NC	2
TRX-500	#1	#3	#4	#2	#3	NC	1, 2
UTICA							
T&C II, T&C III	RING	SLEEVE	NC	TIP	SLEEVE	NC	2, 4
VECTOR							
790	#2	#1	#4	#3	#1	NC	2
IX	#1	#2	NC	#4	#2	NC	1, 2

ABBREVIATIONS

BLK = black
 BLU = blue
 BRN = brown
 CHAS = chassis
 CKT = circuit
 CTR = center
 GND = ground
 GRN = green
 HI = high

LO = low
 LS = loudspeaker
 MIC = microphone
 NC = no connection
 ORN = orange
 PWR SPLY = power supply
 RCVR = receiver
 Rev = revised
 SHLD = shield

SW = switch
 V = volt
 VIO = violet
 WHT = white
 XMTR = transmitter
 YEL = yellow
 Z = impedance

526T Series II Model (others)	WHITE (white)	SHIELD (shield)	YELLOW (black)	RED (red)	BLUE	BLACK	Notes
VECTOR							
VII, X	#1	#2	#3	#4	#2	NC	1, 2
IV	#1	#4	NC	#3	#4	NC	
VI	#1	#4	#3	#2	#4	NC	1, 2
770	#2	#1	#4	#3	#1	NC	2
VOCALINE							
ED-276	#3	#1	NC	#2	#1	NC	4
ED-278	AUDIO-RED	CHAS GND	NC	XMTR CKT- WHT	CHAS GND	NC	2, 4
WARDS							
GEN-775A, -828A, -730A, -702A; 702	#1	#2	NC	#4	#2	NC	2
GEN-716A, -696A	#1	#2	#3	#4	#2	NC	1, 2
GEN-680A							8
WILSON							
WE800	#5	#1	NC	#3	#1	NC	2
1402	#1	SHELL	NC	#4	SHELL	NC	2, 10
XTAL							
XCB-5, XCB-11	#2	#1	NC	#4	#1	NC	2
XCB-7	#1	#4, 6	#5	#3	#4, 6	NC	1, 2
XCB-12	#4	#5	#2	#3	#5	NC	
XSSB-10	#5	#6	NC	#1	#6	NC	2
XCB-6	#2	#1	#3	#4	#1	NC	1, 2
XCB-4	#1	#2	#5	#3	#2	NC	1, 2
XCB-28, XCB-23A	#1	#2	#5	#3	#2	NC	
XCB-88							8
YAESU							
FL101, FT100B	RING	SLEEVE	NC	TIP	SLEEVE	NC	
FL-101, FT-100B, FT-401B, FTdx401B	RING	SLEEVE	NC	TIP	SLEEVE	NC	2, 4
FT-101E, EE, EX	#2	#1	NC	#3	#1	NC	2, 4
FT-101ZD, -221R, -227R, -301, -301D, -901DM	#2	#1	NC	#3	#1	NC	2
FT-107M, -707	#8	#7	NC	#6	#7	NC	2
FT-720R	#1	#4	NC	#3	#4	NC	2
ZODIAC							
M5023	#1	#2	#5	#3	#2	NC	1, 2
M5026	#1	#2	NC	#3	#2	NC	1, 2, 4

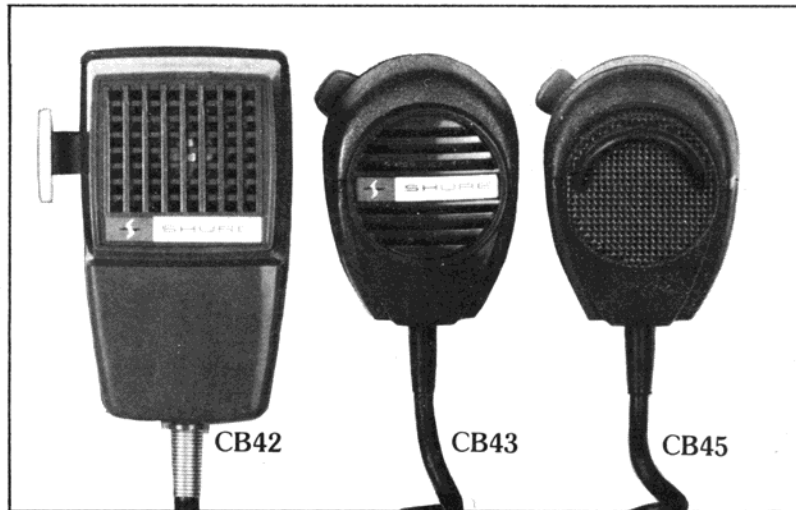
NOTES

1. When using the 526T only (not the Series II) with this transceiver, cut the internal GRAY lead of the microphone.
2. When using the 526T only (not the Series II) with this transceiver, cut the internal WHITE lead of the microphone from the amplifier to the press-to-talk switch (see Figure 4).
3. When using the 526T only (not the Series II) with this transceiver, cut the internal BLUE lead. Refer to the Isolated Switching section of the data sheet.
4. This transceiver requires a high-impedance audio input. When using the CB41, CB42, CB43, CB44, and CB45, the GREEN audio lead replaces the WHITE audio lead.
5. This transceiver requires an isolated switching contact when using the CB41, CB42, CB43, CB44, and CB45. Refer to the Isolated Switching section of the data sheet for circuit modification instructions (see Figure 3).
6. This transceiver is recommended for use only with the 526T Series II.
7. When using the 526T Series II with this transceiver, the YELLOW lead is not used.
8. This transceiver is not recommended for use with Shure Citizens Band microphones.
9. This transceiver is recommended for use only with the 526T Series II after special internal modifications are made. Refer to the data sheet, or write to Shure Brothers Incorporated.
10. Connect pin 2 to Shell.

CB Microphones

More public safety and professional business communications transceivers rely on Shure mobile and base station microphones than all other brands combined.

- Shure's patented CONTROLLED MAGNETIC® element can deliver up to twice as much output as conventional CB mics.
- "Tailored" frequency response offers maximum talk power, minimum background noise.
- Incredibly rugged ARMO-DUR® cases are completely corrosion resistant and immune to oil, grease, humidity, salt spray, fumes, and perspiration.



MOBILE UNITS

CB42 Controlled Magnetic® Mobile Microphone . . . the economical way to upgrade your CB unit.

CB43 Controlled Magnetic® Mobile Microphone . . . all-pro performance in a convenient compact case.

CB45 Noise-Canceling Mobile Microphone . . . the clearest way to block out background noise.

BASE STATION UNIT

526T Series II Super Punch® Transistorized Base Station Microphone . . . amplified for more "talk power!"

