

This Information Is Provided By
CBTricks.com

K40 Microphone Wiring Booklet

Liability of damages to any equipment is the sole responsibility of the user! Downloading, viewing, or using any information provided on these pages automatically accepts the user to the terms of this agreement!

Modifications are provided for information purposes only!

Supporters of CBTricks.com paid for the hosting so you would have this file.

CBTricks.com is a non-commercial personal website was created to help promote the exchange of service, modification, technically oriented information, and historical information aimed at the Citizens Band, GMRS (CB "A" Band), MURS, Amateur Radios and RF Amps.

CBTricks.com is not sponsored by or connected to any Retailer, Radio, Antenna Manufacturer or Amp Manufacturer, or affiliated with any site links shown in the links database. The use of product or company names on my web site is not endorsement of that product or company.

The site is supported with donations from users, friends and selling of the Site Supporters DVD's to cover some of the costs of having this website on the Internet instead of relying on banner ads, pop-up ads, commercial links, etc. Thus I do not accept advertising banners or pop-up/pop-under advertising or other marketing/sales links or gimmicks on my website.

ALL the money from donations is used for CBTricks.com I didn't do all the work to make money (I have a day job). This work was not done for someone else to make money also, for example the ebay CD sellers.

All Trademarks, Logos, and Brand Names are the property of their respective owners.

This information is not provided by, or affiliated in any way with any radio or antenna Manufacturers.

Thank you for any support you can give.

For information on how to Support CBTricks.com

<http://www.cbtricks.com/support/>

IMPORTANT - READ THESE
NOTES BEFORE PROCEEDING.

1) An (*) asterisk adjacent to the black lead pin number indicates that the black lead, or jumper provided, must be moved to alternate hole in microphone circuit board.

2) The following codes are used within this booklet when socket numbering does not apply;

R = Ring

S = Sleeve or shell

T = Tip

b = Black

r = Red

w = White

v = Violet

y = Yellow

SETTING MODULATION LEVEL

1. Connect modulation meter to radio at antenna connector.
2. Use a dummy load, as required.
3. Calibrate modulation meter with microphone keyed and no audit input.
4. Switch microphone to "high" position and talk at a normal level one to two inches away from microphone. Adjust output level control located on back of microphone (access through hole in case)--use jewelers screwdriver or miniature tuning tool.
5. Proper output level adjustment is achieved when average modulation equals 80%, and peak modulation equals just less than 100%.

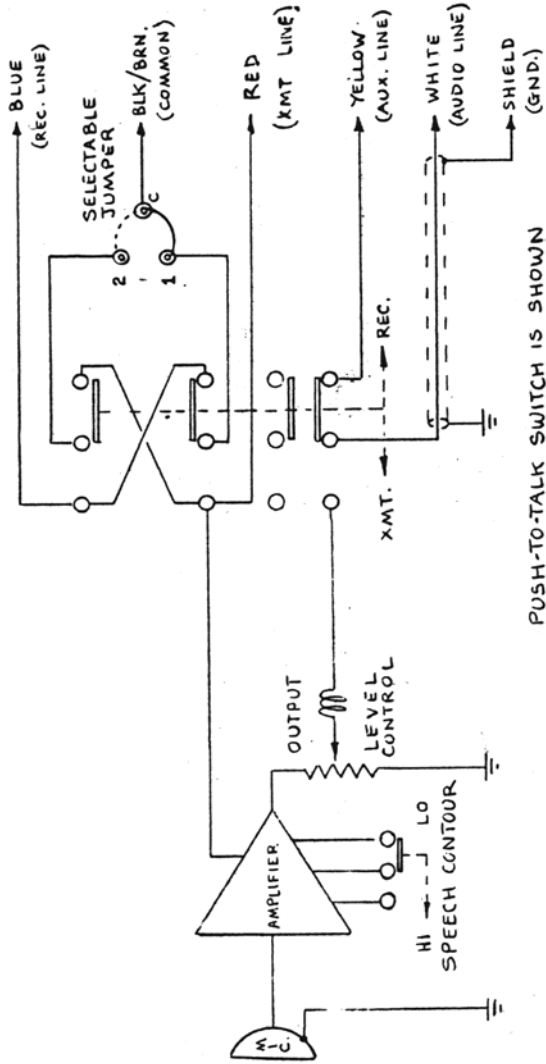
K40

GENERAL WIRING INSTRUCTIONS

TYPE OF SWITCHING IN TRANSMITTER	TYPE 1	TYPE 2	TYPE 3	TYPE 4
POSITION OF JUMPER ON MICROPHONE CIRCUIT BOARD (SEE NOTE BELOW)	Electronic Switching	Relay Switching (A)	Relay Switching (B)	Power Switching
SHIELD (GROUND)	1	1	1	2
BLACK (COMMON LEAD)	GROUND	GROUND	GROUND	GROUND
BLUE LEAD	RECEIVE LINE	NOT USED	TO RELAY COIL	TO +12 VOLTS
RED LEAD	TRANSMIT LINE	TO RELAY COIL	TO +12 VOLTS (HQT)	TRANSMIT LINE
WHITE LEAD	AUDIO LINE	AUDIO LINE	AUDIO LINE	RECEIVE LINE
YELLOW LEAD	AUXILIARY AUDIO SWITCHING LINE; NORMALLY NOT USED.			

NOTE: 1) Insulate each unused wire
 2) The microphone is shipped with the internal jumper wire in Position 1. (See wiring diagram), to work with all electronic and relay switching sets. "Power Switching" sets will require switching the jumper to Position 2.

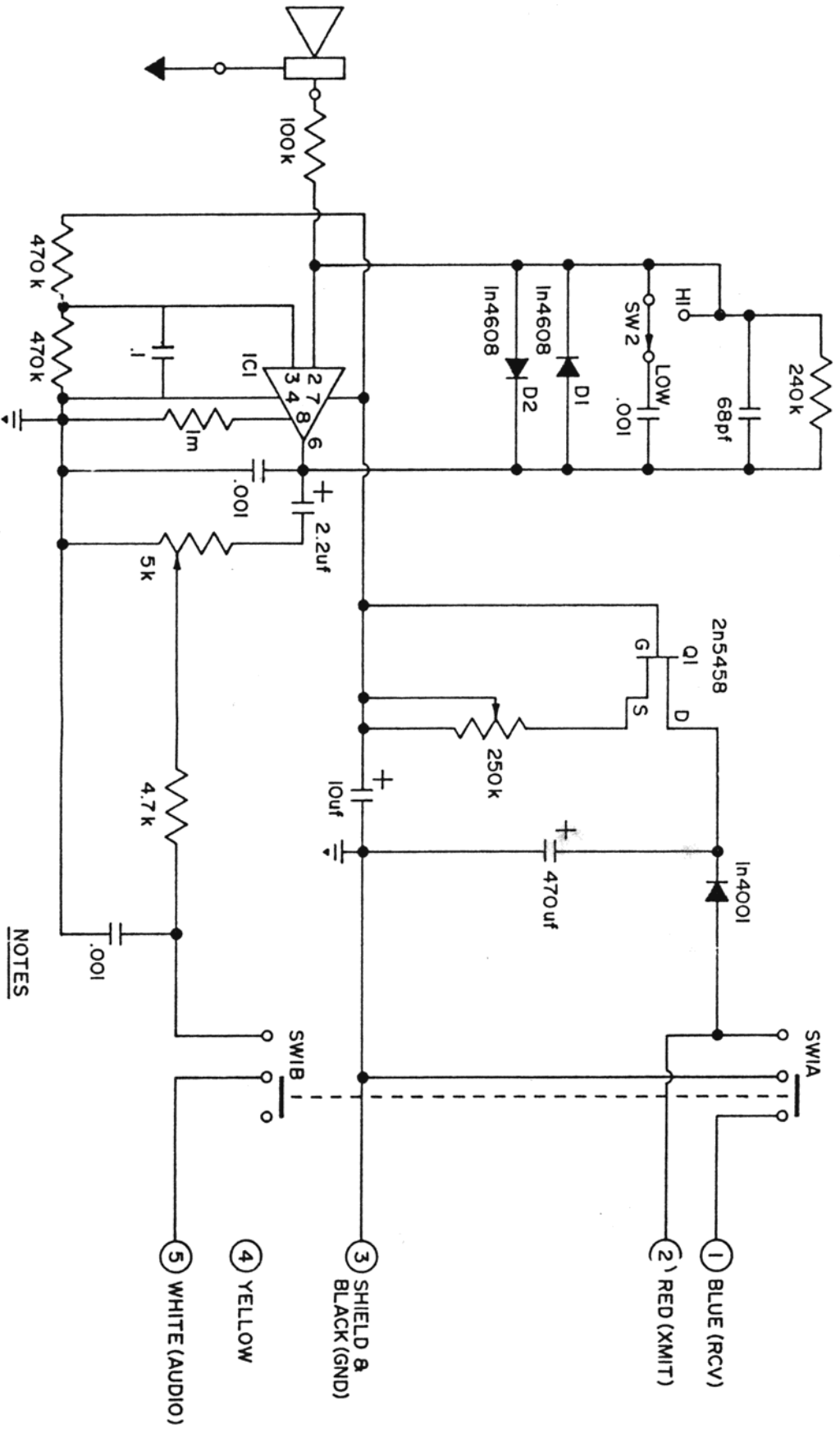
CAUTION: DO NOT USE THE K40 MICROPHONE ON TUBE TYPE TRANSMITTERS



PUSH-TO-TALK SWITCH IS SHOWN IN THE RECEIVE POSITION.

MICROPHONE WIRING DIAGRAM

K40 SPEECH PROCESSOR MICROPHONE SCHEMATIC



NOTES

- 1) ALL CAPACITORS ARE IN MICROFARADS UNLESS OTHERWISE STATED ON DIAGRAM.
- 2) CENTER TERMINAL OF THE 250K POT MUST BE SET FOR 4.0 VOLTS D.C.

HOW TO DETERMINE CORRECT PLUG WIRING WHEN A PARTICULAR MODEL IS NOT SHOWN IN THE FOLLOWING LIST

SPEND A FEW MINUTES ACQUAINTING YOURSELF WITH THE HOWS AND WHYS OF THE K40 SPEECH PROCESSOR WIRING. IT WILL ENABLE YOU TO INSTALL THE K40 SPEECH PROCESSOR ON VIRTUALLY ANY TRANSCEIVER, IN A MATTER OF MINUTES.

THERE ARE TWO BASIC TYPES OF SWITCHING CIRCUITS EMPLOYED IN COMMUNICATIONS TRANSCEIVERS.

- 1- ELECTRONIC SWITCHING
- 2- RELAY SWITCHING
 - A- DIRECT RELAY SWITCHING
 - B- TRANSISTOR DRIVEN RELAY SWITCHING

FIRST- DETERMINE WHICH SYSTEM YOUR TRANSCEIVER EMPLOYS

1. CONNECT ONE LEAD OF AN OHMMETER TO THE BLACK (NEGATIVE) D.C. INPUT LEAD OF THE TRANSCEIVER.
2. USING THE OTHER LEAD OF THE OHMMETER DETERMINE WHICH MICROPHONE PINS ARE GROUND. THE RESISTANCE MEASURED SHOULD BE ALMOST ZERO. SOME UNITS WILL HAVE MORE THAN ONE GROUND PIN AT THE CONNECTOR. THE BLACK AND SHIELD LEADS OF THE K40 CABLE CONNECT TO THE MIC GROUND PINS.
3. CONNECT THE NEGATIVE LEAD OF A D.C. VOLTMETER TO THE NEGATIVE D.C. INPUT LEAD. WITH THE POSITIVE LEAD OF THE VOLTMETER MEASURE THE VOLTAGES ON EACH OF THE PINS, WITH THE TRANSCEIVER TURNED ON. THE SWITCHING LINE WILL HAVE A POSITIVE VOLTAGE OF FROM 6 TO 14 VOLTS. TURN THE POWER OFF AND WITH AN OHMMETER MEASURE THE RESISTANCE TO GROUND OF THE SWITCHING PIN. IF THE RESISTANCE IS OVER 200 OHMS THE TRANSCEIVER EMPLOYS SWITCHING CIRCUIT TYPE 1 OR 2B, AS REFERRED TO ABOVE. IF IT IS TYPE 1 OR TYPE 2B THEN THE ENERGY CONVERSION KIT SHOULD BE INSTALLED. THE RED LEAD FROM THE K40 CABLE SHOULD BE CONNECTED TO THE SWITCHING PIN OF THE MICROPHONE CONNECTOR.
4. IF IT HAS BEEN DETERMINED THAT THE SWITCHING CIRCUIT IS TYPE 1 OR 2B IT IS NECESSARY TO ASCERTAIN WHICH CIRCUIT IS UTILIZED. WITH POWER APPLIED TO THE TRANSCEIVER, AND THE STANDARD MICROPHONE PLUGGED-IN, MAKE CERTAIN THAT THE SPEAKER IS FUNCTIONING. REMOVE THE MICROPHONE AND IF THE SPEAKER REMAINS ON THEN THE TRANSCEIVER EMPLOYS SWITCHING CIRCUIT TYPE 2B. IF THE SPEAKER GOES OFF THEN THE TRANSCEIVER EMPLOYS SWITCHING CIRCUIT TYPE 1, IN WHICH CASE THE BLUE LEAD MUST BE USED.
5. IF THE SWITCHING CIRCUIT IS TYPE 1 IT IS NECESSARY TO DETERMINE WHICH PIN IS THE SPEAKER GROUND RETURN. THIS IS THE PIN TO WHICH THE BLUE LEAD OF THE K40 MIC CABLE WILL BE WIRED. TURN THE TRANSCEIVER ON AND REMOVE THE MIC. THIS WILL TURN THE SPEAKER OFF. CONNECT A CLIP LEAD FROM THE D.C. NEGATIVE INPUT TO EACH OF THE MIC CONNECTOR PINS, IN ORDER. THE PIN WHICH ACTIVATES THE SPEAKER IS THE PIN TO WHICH THE BLUE LEAD SHOULD BE WIRED.
6. THE WHITE LEAD OF THE K40 SPEECH PROCESSOR IS CONNECTED TO THE AUDIO INPUT OF THE TRANSCEIVER. ON TRANSCEIVERS WHICH EMPLOY A FOUR PIN MIC CONNECTOR IT WILL BE THE ONE REMAINING PIN. IN UNITS WHICH USE ANOTHER TYPE OF CONNECTOR IT WILL BE NECESSARY TO DETERMINE WHICH OF THE REMAINING PINS IS THE AUDIO INPUT. IT MAY BE NECESSARY TO SOLDER THE WHITE LEAD TO EACH OF THE PINS, IN ORDER, TO ASCERTAIN WHICH OF THE PINS PROVIDES MODULATION OF THE TRANSMITTER.

MFG. & MODEL	RED	BLU	BLK	WHT	YEL	SHD	MFG. & MODEL	RED	BLU	BLK	WHT	YEL	SHD
ACSA CORP							BOMAN-ASTROLINE						
X	3	4	1	2	X	1	CB555	4	3	2	1	X	2
AIR							CB710	4	3	2	1	X	2
CB7000	2	X	3	1	X	3	CB720	2	3	4	1	X	4
AIR CASTLE							CB740	4	3	2	1	X	2
23-02	2	1	3	4	X	3	CB755	3	4	1	2	X	1
JE321	2	X	4	3	X	4	CB770	4	X	2	1	X	2
ALAN							CB910	4	3	2	1	X	2
K350B	4	X	2	1	X	2	CB930	4	3	2	1	X	2
ALARON							CB950	4	3	2	1	X	2
B5050A	2	5	4	1	X	4	CBR9600	3	4	1	2	X	1
B1025	2	X	3	1	X	3	CBR9700	2	X	3	1	X	3
B1050	2	1	4	3	X	4	CBR9900	2	X	5	1	X	3
B1100	3	X	2	1	X	2	CBR9950	3	4	2	1	X	2
B1150	3	5	2	1	X	2	CB720B	2	3	4	1	X	4
B4600	3	4	1	2	X	1	CB725	4	3	2	1	X	2
B4900	3	4	1	2	X	1	CB750	3	X	4	2	X	1
ALLIED							CB775	3	X	1	2	X	4
2530	3	X	2	1	X	2	CBH990	4	3	2	1	X	2
ALPINE ELECT.							CBR9600	3	4	1	2	X	1
BR640	3	4	2	1	X	2	BONSONIC						
AMERICAN ELECT							CB8	4	3	2	1	X	2
23 PLUS	1	X	3	2	X	3	BROWNING						
76-501	1	2	3	4	X	3	23S	2	X	3	1	X	3
76-601	1	2	3	4	X	3	68T	2	X	3	1	X	3
ARA							BARON	3	X	4	2	X	1
CB7100	3	4	1	2	X	1	EAGLE	2	X	3	1	X	3
ARTHUR FULLMER							EAGLETTE 2	2	3	4	5	X	4
2300	4	3	2	1	X	2	EAGLE MARK 2	2	X	3	1	X	3
2301	4	3	2	1	X	2	LTD	3	X	1	2	X	1
2355	4	3	2	1	X	2	RAVEN FMFS9	2	X	3	1	X	3
ARVIN							S23	2	X	3	1	X	3
20Y55-19	3	X	1	2	X	1	SABRE	3	X	4	2	X	1
ASAHI							SST	3	X	1	2	X	1
ACT1914	4	3	2	1	X	2	CARDON						
AUDICOM							APACHE	4	3	2	1	X	2
PT23	3	X	4	2	X	1	ASTRO	4	3	2	1	X	2
AUDIOVOX							CONSTELLATION	4	X	2	1	X	2
MCR3000	5	X	4	1	X	3	PHANTOM	4	X	2	1	X	2
MCR750	3	4	5	1	X	2	CHANNELMASTER						
MCR2000	5	X	6	1	X	6	CB6830	3	1	4	2	X	4
MCR3000	5	X	4	1	X	3	6832	3	1	4	2	X	4
MCR1000	3	X	2	1	X	2	CHRYSLER						
MCR750	3	4	5	1	X	2	4048076	2	X	3	1	X	3
AUTOMATIC							4048077	2	X	3	1	X	3
CBH2265	3	4	1	2	1	1	CLARICON						
CBR2175	2	X	5	1	X	3	ACTIVATOR	4	3	1	2	X	1
CBE2151	2	5	3	1	X	3	30800	4	3	1	2	X	1
CBU2068	5	3	2	1	X	2	30850	3	5	1	4	X	1
BELTEK							PIRATE	5	X	3	4	X	3
ENDURO-23	1	3	2	4	X	2	PRIVATR 30600	4	3	1	2	X	1
BENJAMIN ELEC							RAIDER	4	3	2	1	X	2
CONCORD 200	3	X	2	1	X	2	RAIDER 30500	4	3	2	1	X	2
CONCORD 400	3	4	1	2	X	1	CLARION						
4UPUNKT							JC201E	4	X	2	1	X	2
3CB5231	3	1	4	2	X	4	JC201F	4	X	2	1	X	2
BOMAN-ASTROLINE							RJC001	4	X	2	1	X	2
CB515	4	3	2	1	X	2							
CB535	4	3	2	1	-	2							

MFG. & MODEL	RED	BLU	BLK	WHT	YEL	SHD	MFG. & MODEL	RED	BLU	BLK	WHT	YEL	SHD
COBRA							CONTACT						
1000GTL	3	4	1	2	X	1	CB23CH	1	X	2	4	X	2
132	3	X	1	2	X	1	CONTACT 6	1	5	4	3	X	4
132XLR	3	X	1	2	X	1	CONVOY						
135XLR	3	X	1	2	X	1	CON400	5	1	3	4	X	2
138A	3	X	1	2	X	1	450	5	3	4	1	2	6
138XLR	3	X	1	2	X	1	CORNELL-DUBILIER						
139	3	X	4	2	X	1	MARK X	2	X	3	1	X	3
140GTL	5	3	4	1	X	2	COURIER						
142GTL	5	3	4	1	X	2	CHIEF 23	1	2	3	4	X	3
148GTL	5	3	4	1	X	2	23 PLUS	2	X	4	3	X	4
19	3	4	1	2	X	1	CITATION	2	X	3	1	X	3
21	3	X	1	2	X	1	BLAZER 40D	3	1	4	2	X	4
21GTL	3	4	1	2	X	1	CARAVELLE 40D	3	1	4	2	X	4
21X	3	4	1	2	X	1	CLASSIC III	3	1	4	2	X	4
21XLR	3	4	1	2	X	1	CLASSIC	1	X	4	3	X	4
25	2	X	4	3	X	1	CLASSIC II	2	X	3	1	X	3
25GTL	3	4	1	2	X	1	CLASSIC PLL40	3	1	4	2	X	4
29	3	4	1	2	X	1	COMET 23	1	2	3	4	X	3
29GTL	3	4	1	2	X	1	CONQUEROR 40D	3	1	4	2	X	4
29XLR	3	4	1	2	X	1	COURIER	2	X	4	3	X	4
45XLR	3	X	1	2	X	1	COURIER 23	2	X	4	3	X	4
77X	3	4	1	2	X	1	COURIER 30B	2	X	4	3	X	4
78X	3	4	1	2	X	1	COURIER						
86XLR	3	X	1	2	X	1	COURIER CHIEF	3	2	1	4	X	1
87GTL	3	4	1	2	X	1	COURIER						
89	3	4	1	2	X	1	RANGER 23	2	1	4	3	X	4
89GTL	3	4	1	2	X	1	RANGLER 40D	3	1	4	2	X	4
89XLR	3	4	1	2	X	1	REBEL 40A	3	1	4	2	X	4
2000GTL	5	3	4	1	X	2	REDBALL	3	1	4	2	X	4
32XLR	3	X	4	2	X	1	RENEGADE 40	3	1	4	2	X	4
COLT							TR12	4	X	2	1	X	2
190	4	3	2	1	X	2	TR3	4	X	2	1	X	2
220	2	5	3	1	X	4	TR6	4	X	2	1	X	2
222	2	5	3	1	X	3	TR23S	1	X	4	3	X	4
350	5	1	3	4	X	2	TRAVELLER II	3	X	4	1	X	4
390	4	3	2	1	X	2	COURIER-FANNON						
485	4	3	2	1	X	2	FANFARE 125F	3	1	4	2	X	4
800	4	3	2	1	X	2	FANFARE 880DF	3	1	4	2	X	4
BLACK SHADOW	3	5	1	4	X	1	ROGUE 40	3	1	4	2	X	4
1000	4	3	2	1	X	2	CP 500	3	X	2	1	X	
1200	4	3	2	1	X	2	400	3	X	4	2	X	4
COMEX							2000	3	X	4	2	X	1
CCB770	5	4	6	1	X	6	2500	3	X	2	1	X	2
COMMAND ELECT							CRAIG						
SATELLITE SPR	3	2	1	4	X	1	4101	1	2	3	4	X	3
STAR	3	X	1	4	X	1	4102	5	4	2	1	X	2
TRANSMITTER	3	2	1	4	X	1	4103	5	4	3	2	X	3
COMMANDER							4104	5	4	3	2	X	3
750	1	4	2	3	X	2	4120	5	4	3	2	X	3
COMMANDO							4201	5	4	3	2	X	3
2300	4	3	2	1	X	2	L101	5	X	1	2	X	1
2310	4	3	2	1	X	2	L102	5	4	3	2	X	3
2320	2	X	3	1	X	3	L131	5	X	4	2	X	3
2325	2	X	3	1	X	3	DAK						
4040	4	3	2	1	X	2	MARK II	3	4	5	1	X	2
4050	5	1	2	4	X	2	MARK III	2	5	3	1	X	4
4086	4	3	2	1	X	2	MARK VI	3	4	1	2	X	1
							MARK IX	4	3	2	1	X	2

MFG. & MODEL	RED	BLU	BLK	WHT	YEL	SHD	MFG. & MODEL	RED	BLU	BLK	WHT	YEL	SHD
DELCO							FULCOMM STEREO						
1977 SERIES	4	X	2	1	X	2	2301	4	3	2	1	X	2
1978 SERIES	4	3	2	1	X	5	2302	4	3	2	1	X	2
CBD10	4	3	2	1	X	2	2303	4	X	2	1	X	2
CBD20	4	X	2	1	X	2	2355	4	3	2	1	X	2
CBD20A	4	3	2	1	X	2	GEMTRONICS						
DELATRONIX							GR11930	4	3	2	1	X	2
D1325RF	4	3	2	1	X	2	GT44	4	3	2	1	X	2
DEMCO							GT55	4	3	2	1	X	2
SATELLITE	3	X	1	2	X	1	GTX23	4	3	2	1	X	2
STAR	3	2	1	4	X	1	GTX3323	4	3	2	1	X	2
SUP SATELLITE	3	2	1	4	X	1	GTX36	4	3	2	1	X	2
T110A	3	X	1	2	X	1	GTX4040	4	3	2	1	X	2
TRAVELIER	3	X	1	2	X	1	GTX44	4	3	2	1	X	2
E.W.T.							GTX66	4	3	2	1	X	2
ECB14	3	5	2	1	X	2	GTX77	4	3	2	1	X	2
ECHO							GTX230	3	4	2	1	X	2
49ER	3	4	2	1	X	2	GTX3000	1	3	5	4	X	5
EXCELLENZ	2	1	4	3	X	4	GEN.ELECT						
EICO							3-5810A	3	5	1	4	X	1
7723	4	3	2	1	X	2	3-5810B	3	5	1	4	X	1
ELECTROPHONIC							3-5818	3	5	1	4	X	1
CB700	4	3	2	1	X	2	3-5819A	4	3	2	1	X	2
ERIC							3-5825A	4	3	2	1	X	2
200	3	4	1	2	X	1	3-5800	3	5	1	4	X	1
EVERSONIC							3-5804B	3	5	1	4	X	1
1125	4	3	2	1	X	2							
1280	3	4	2	1	X	2							
A23C	3	X	2	1	X	2							
ST22	5	3	2	1	X	2							
FANNON							3-5804D 5-PIN	3	5	1	4	X	1
125F	3	1	4	2	X	4	3-5813A	4	3	2	1	X	2
180DF	3	1	4	2	X	4	3-5813B	4	3	2	1	X	2
182F	3	1	4	2	X	4	3-5814A	4	3	2	1	X	2
CARAVELLE 40D	3	1	4	2	X	4	3-5814B	4	3	2	1	X	2
CONQUEROR 40D	3	1	4	2	X	4	3-5818A	3	5	1	4	X	1
100F	3	4	1	2	X	1	3-5821A	4	X	2	3	X	2
FANFARE 182F	3	1	4	2	X	4	3-5869A	4	3	2	1	X	2
FANFARE 184DF	3	1	4	2	X	4	3-5875A	4	3	2	1	X	2
FANFARE 185DF	3	1	4	2	X	4							
FANFARE 185PLL3	1	4	2	X	4	3-5801A	3	5	1	4	X	1	
FANFARE 330	3	4	2	1	X	2	3-5801B	4	3	2	1	X	2
FANFARE 880DF	3	1	4	2	X	4	3-5802	4	3	2	1	X	2
M2300	2	1	4	3	X	4	3-5804A	3	5	1	4	X	1
RANGLER 40D	3	1	4	2	X	4	3-5809	3	5	1	4	X	1
SFT400	1	X	3	5	X	3	3-5810	3	5	1	4	X	1
SFT500	1	X	3	5	X	3	3-5811	3	5	1	4	X	1
SFT600	3	X	1	2	X	1	3-5811A	3	5	1	4	X	1
XM2300	2	1	4	3	X	4	3-5812A	4	3	2	1	X	2
FIELDMASTER							3-5817	3	5	1	4	X	1
CB6832	3	1	4	2	X	4	3-5819	4	3	2	1	X	2
FKCB001A	2	1	4	3	X	4	3-5821	4	3	2	1	X	2
FKCB0025	2	1	4	3	X	4	3-5869	4	3	2	1	X	2
FKCB005	2	1	4	3	X	4	3-5871A	3	5	1	4	X	1
F1001	1	X	2	3	X	2	3-5871B	3	5	1	4	X	1
TR18M	2	X	3	1	X	3	4ET7D1	3	X	1	2	X	1
TR40	2	1	4	3	X	4	4ET7D2	3	X	1	2	X	1
FOX							4ET7D3	3	X	1	2	X	1
MR21	4	X	2	1	X	2							

MFG. & MODEL	RED	BLU	BLK	WHT	YEL	SHD	MFG. & MODEL	RED	BLU	BLK	WHT	YEL	SHD
GEN. MOTORS							HY-GAIN						
CB10	4	3	2	1	X	2	674	3	X	2	1	X	2
CB10A	4	3	2	1	X	2	674A	3	X	2	1	X	2
GM23B	4	3	2	1	X	2	674B	2	5	3	1	X	3
GM23C	4	3	2	1	X	2	681	2	5	1	4	X	1
GEN. RADIO TELEPHONE							682	2	5	3	1	X	3
MC11A	2	X	3	1	X	3	682A	3	X	2	1	X	2
MC-9	2	X	3	4	X	3	683	3	X	2	1	X	2
SB-72	3	X	2	1	X	2	CB6830	3	1	4	2	X	4
GRANADA							CB6832	3	1	4	2	X	4
CB-6	4	3	1	2	X	1	HY-RANGE 111	2	5	3	1	X	3
CB27	4	X	1	2	X	1	ITT						
CB4	3	5	2	1	X	2	CB4000M	3	4	1	2	X	1
CB7	4	3	1	2	X	1	CB4400M	4	3	2	1	X	2
FCB27	4	X	1	2	X	1	INT. CRYSTAL						
FRGM 1125	4	3	2	1	X	2	CTZ50	4	X	2	1	X	2
GRAND PRIX							MO23	1	X	2	3	X	2
1125	4	3	2	1	X	2	J.C. PENNEY						
B1325RF	4	3	2	1	X	2	981-3038	3	4	1	2	X	1
GREAT							981-3130	3	4	1	2	X	1
GT418	2	1	4	3	X	4	681-6241	3	X	1	2	X	1
HALLICRAFTER							6203	3	4	1	2	X	1
HCM261	5	4	6	1	X	6	6210	4	3	2	1	X	2
HANDIC							681-6241	3	X	1	2	X	1
230	5	3	4	1	2	6	8345	3	4	1	2	X	1
2305	3	X	1	2	X	1	981-8352	3	4	1	2	X	1
HITACHI							981-6211A	3	X	2	1	X	2
CM2375H	3	5	1	4	X	1	981-0607	3	4	1	2	X	1
CM2400C	3	5	1	4	X	1	981-6051	2	X	3	1	X	3
CM2400H	3	5	1	4	X	1	981-6075	3	1	4	2	X	4
CM2410A	4	5	1	3	X	1	981-6201	3	X	2	1	X	2
CM2425	3	5	1	4	X	1	981-6204	2	5	3	1	X	3
CM2430H	3	5	1	4	X	1	981-6210A	3	4	1	2	X	1
CM4800C	3	5	1	4	X	1	981-6212	3	4	1	2	X	1
CM4800H	3	5	1	4	X	1	981-6212A	3	4	1	2	X	1
CM4850H	3	4	1	2	X	1	981-6213	3	4	1	2	X	1
CM6700H	3	5	1	4	X	1	981-6214	3	4	1	2	X	1
HY-GAIN							981-6117	3	4	1	2	X	1
671A	2	X	4	1	X	4	981-6217B	2	5	4	1	X	4
2680	2	5	3	1	X	3	981-6218	3	4	1	2	X	1
2681	2	5	3	1	X	3	981-6220	3	4	1	2	X	1
2682	2	5	3	1	4	3	981-62230	3	4	1	2	X	1
2683	2	5	3	1	X	3	981-6235	3	4	1	2	X	1
2683A	3	X	2	1	X	2	981-6236	3	4	1	2	X	1
2701	2	5	3	1	X	3	981-6237	3	4	1	2	X	1
2702	4	3	2	1	X	2	981-6240	3	X	1	2	X	1
2703	2	5	3	1	X	3	981-6240A	2	1	4	3	X	4
2705	3	X	2	1	X	2	981-8360	3	X	1	2	X	1
3077	2	5	3	1	X	3	981-6216	3	4	1	2	X	1
3078	2	5	3	1	X	3	981-6221	3	4	1	2	X	1
3084	2	5	3	1	X	3	981-6225	3	X	1	4	X	1
3087	2	5	3	1	X	3	981-6237	3	4	1	2	X	1
3107	2	5	3	1	X	3	981-6246	4	X	1	3	X	1
670B	2	5	3	1	X	3	981-6246	4	X	3	2	1	3
670BFR	2	5	3	1	X	3	985-6050	2	X	1	3	X	1
671B	2	5	3	1	X	3	PINTO JR.	1	X	3	2	X	3
672B	2	5	3	1	X	3	985-6060	2	X	3	1	X	3
673A	3	X	2	1	X	2	GOLDEN PINTO	2	X	3	1	X	3
673B	2	5	3	1	X	3	PINTO 23	2	X	1	3	X	1
							PINTO 23B	2	X	3	1	X	3

MFG. & MODEL	RED	BLU	BLK	WHT	YEL	SHD	MFG. & MODEL	RED	BLU	BLK	WHT	YEL	SHD
J.I.L.							KRIS						
BS24	2	5	3	1	X	3	L45	3	2	4	1	X	4
H3	2	5	3	1	X	3	L23	3	X	4	1	X	4
H5	2	5	3	1	X	3	L30	3	4	2	1	X	2
JET SOUNDS							XL40	3	4	2	1	X	2
CB7000	2	X	3	1	X	3	XL50	3	X	2	1	X	2
CB7150	2	3	4	1	X	4	RYPTON-BETA						
JOHNSON							ACT 1914	4	3	2	1	X	2
MESSR 4170	5	4	2	1	3	6	ACT 2000	4	3	2	1	X	2
MESSR 4175	5	4	2	1	3	6	LAFAYETTE						
VIKING 230	5	4	2	1	X	6	COM-PHONE 23	2	1	4	3	X	4
VIKING 260	2	4	5	1	X	6	LAFAYETTE						
VIKING 270	2	4	5	1	X	6	COMSTAT 9	5	1	4	3	X	4
VIKING 352	2	X	5	1	X	5	LAFAYETTE						
VIKING 430	5	4	6	1	X	6	HA460	2	X	4	1	X	4
VIKING 4740	2	X	5	1	X	6	HB4000	3	5	2	1	X	2
KALIMAR INT							HB525	4	X	1	3	X	1
K740	3	4	1	2	X	1	HB550	2	5	6	1	3	4
KENWOOD							HB625	4	X	1	3	X	1
X	2	X	1	3	X	1	HB640	2	5	3	1	X	4
KNIGHT							HB740	2	5	3	1	X	4
KN2500	1	5	4	3	X	4	HB940	2	5	4	1	X	4
KN2550	1	5	4	3	X	4	HB950	2	5	3	1	X	4
KN2580	1	5	4	3	X	4	HB115	5	1	4	3	X	4
KN2585	1	5	4	3	X	4	LM200	4	X	2	1	X	2
KRACO							LM300	4	3	2	1	X	2
KCB1307	5	2	6	1	X	6	MARK V	2	3	4	1	X	4
KCB4001	4	3	2	1	X	2	MARK VI	2	3	4	1	X	4
KCB4003	3	X	4	1	2	2	MICRO 223	2	5	3	1	X	4
KCB4004	3	4	1	2	X	1	MICRO 223A	2	5	3	1	X	4
KCB4005	4	3	2	1	X	2	TELSTAT1140	2	5	4	1	X	4
KCB4070	3	X	2	1	X	2	TELSTAT 1240	4	X	2	1	X	2
KCB4088	3	4	2	1	X	2	TELSTATSSB100	2	5	3	1	X	3
KCB2302A	4	3	2	1	X	2	LAKE						
KCB2302B	4	3	2	1	X	2	1125	4	3	2	1	X	2
KCB2310A	4	3	2	1	X	2	1325	4	3	2	1	X	2
KCB2310B	4	3	2	1	X	2	5000	3	X	2	1	X	2
KCB2320	4	3	2	1	X	2	5100	3	X	2	1	X	2
KCB2330	4	3	2	1	X	2	523	4	3	2	1	X	2
KCB2330A	4	3	2	1	X	2	650	4	X	2	1	X	2
KCB2330B	4	X	2	3	X	2	750	3	X	1	4	X	1
KCB2345	4	3	2	1	X	2	GT418	4	3	1	2	X	1
KB2355	4	3	2	1	X	2	ME805	2	3	4	1	X	4
KCB2370	1	X	3	5	X	3	ME806	2	3	4	1	X	4
KCB2390	1	X	2	3	X	2	LASALLE						
KCB4010	4	3	2	1	X	2	LA101	3	4	2	1	X	2
KCB4020	4	3	2	1	X	2	LA101A	3	4	2	1	X	2
KCB4030	4	3	2	1	X	2	LA101AN	3	4	2	1	X	2
KCB4040	4	3	2	1	X	2	MARS RADIO CORP						
KB4045	4	3	2	1	X	2	CON400	5	1	2	4	X	2
KRIS							M374	5	1	2	4	X	2
VALIANT	3	4	2	1	X	2	MASON						
VENTRUA	3	4	2	1	X	2	CB23	4	3	2	1	X	2
VICTOR I	3	4	2	1	X	2	MAXON						
VICTOR II	3	4	2	1	X	2	40	5	2	3	1	X	4
XL23A	3	4	2	1	X	2	MECTRON						
XL25	3	X	2	1	X	2	ME400	3	4	2	1	X	2

MFG. & MODEL	RED	BLU	BLK	WHT	YEL	SHD	MFG. & MODEL	RED	BLU	BLK	WHT	YEL	SHD
MECTRON							MIDLAND						
ME401A	3	4	2	1	X	2	13-893	3	X	2	1	X	2
ME402	3	4	2	1	X	2	13-892	4	3	2	1	X	2
MEDALLION							13-895	4	X	3	1	X	2
63-200	3	4	2	1	X	2	13-898	3	X	2	1	X	2
63-240	3	4	2	1	X	2	13-898B	3	X	2	1	X	2
63-540	3	X	2	1	X	2	13-976	4	3	2	1	X	2
MEISEI							76-858	4	3	1	2	X	1
C-7510	4	3	2	1	X	2	76-886	2	5	3	1	X	3
MERITON							76-863	4	3	2	1	X	2
RS5111	2	1	4	3	X	4	77-821	4	3	2	1	X	2
MICRO 23							77-824	4	3	2	1	X	2
MS24	3	5	2	1	X	2	77-825	4	3	2	1	X	2
MIDLAND							77-830	4	3	2	1	X	2
13-830	4	3	2	1	X	2	77-853	4	3	2	1	X	2
13-852	1	2	3	4	X	3	77-856	4	3	2	1	X	2
13-853	4	3	2	1	X	2	77-859	4	3	2	1	X	2
13-857	4	3	2	1	X	2	77-857	4	3	2	1	X	2
13-857B	4	3	2	1	X	2	77-861	4	3	2	1	X	2
13-858	4	3	2	1	X	2	77-882	4	3	2	1	X	2
13-862	4	3	2	1	X	2	77-883	3	4	2	1	X	2
13-862B	4	3	2	1	X	2	77-884	3	4	2	1	X	2
13-863	3	X	2	1	X	2	77-888	3	4	2	1	5	2
13-863B	4	3	2	1	X	2	77-963	4	3	2	1	X	2
13-864	3	4	2	1	X	2	79-892	6	3	4	1	X	4
13-866	4	3	2	1	X	2	79-893	4	X	3	1	X	2
13-867	4	3	2	1	X	2	MIDSTATE CUB II						
13-869	3	4	2	1	X	2	MT7500	3	4	1	2	X	1
13-879	3	4	2	1	X	2	MONTGOMERY WARD						
13-879B	4	3	2	1	X	2	AIRLINE 774	4	X	2	1	X	2
13-881B	3	X	2	1	X	2	MOPAR						
13-882B	4	3	2	1	X	2	4094173	3	X	2	1	X	2
13-882C	4	3	2	1	X	2	4094176	4	3	2	1	X	2
13-883	3	4	2	1	X	2	4094177	4	3	2	1	X	2
13-883B	3	4	2	1	X	2	4094178	4	3	2	1	X	2
13-886	3	4	1	5	2	1	4094179	4	3	2	1	X	2
13-887	3	X	2	1	X	2	MORSE ELECT						
13-888	3	4	2	1	2	2	2000	3	4	2	1	X	2
13-895	4	X	3	1	X	2	2061	3	X	2	1	X	2
13-898	3	X	2	1	X	2	3065	3	4	2	1	X	2
13-898B	3	X	2	1	X	2	700	3	4	2	1	X	2
13-976	4	3	2	1	X	2	800	3	4	2	1	X	2
76-858	4	3	1	2	X	1	MOTOROLA						
76-886	2	5	3	1	X	3	CB1136	1	2	3	4	X	3
76-863	4	3	2	1	X	2	CB1124	1	2	3	4	X	3
77-821	4	3	2	1	X	2	CB1125	1	2	3	4	X	3
77-824	4	3	2	1	X	2	CF925AX	3	4	2	1	X	2
77-825	4	3	2	1	X	2	CT950AX	3	X	2	1	X	2
77-830	4	3	2	1	X	2	T4000A	1	2	3	4	X	3
77-853	4	3	2	1	X	2	T4005A	1	2	3	4	X	3
77-856	4	3	2	1	X	2	T4009A	1	2	3	4	X	3
77-859	4	3	2	1	X	2	T4010A	1	2	3	4	X	3
77-857	4	3	2	1	X	2	T4020A	1	2	3	4	X	3
77-861	4	3	2	1	X	2	CB555	1	X	3	4	X	3
77-882	4	3	2	1	X	2	CM550	1	X	3	4	X	3
77-883	3	4	2	1	X	2	OLSON						
							CB409	3	X	2	1	X	2

MFG. & MODEL	RED	BLU	BLK	WHT	YEL	SHD	MFG. & MODEL	RED	BLU	BLK	WHT	YEL	SHD
FACE							PEARCE SIMPSON						
1000NC	4	X	2	1	X	2	2302	4	3	1	2	X	1
1000B	4	X	2	1	X	2	ALLEY CAT 23	3	X	2	1	X	2
1000H	4	X	2	1	X	2	BEARCAT 23	3	X	2	1	X	2
1000SA	1	X	2	4	X	2	BEARCAT 23B	3	X	2	1	X	2
100S	1	X	2	4	X	2	BEARCAT 23C	4	3	2	1	X	2
123	1	X	2	4	X	2	BENGAL SSB	3	X	2	1	X	2
123A	1	X	2	4	X	2	BOBCAT 23C	4	3	2	1	X	2
130	4	X	2	1	X	2	BOBCAT 23D	1	3	4	2	X	4
133	1	X	2	4	X	2	BOBCAT 23E	4	3	2	1	X	2
144	4	X	2	1	X	2	CHEETAH SSB	3	X	2	1	X	2
145	4	X	2	1	X	2	COUGAR 23	3	X	2	1	X	2
2300	2	3	4	5	X	4	COUGAR 23B	4	3	2	1	X	2
2300CA	1	2	3	4	X	3	DIRECTOR	5	X	3	1	X	3
800B	4	X	2	1	X	2	DIRECTOR 23	3	X	2	1	X	2
8010	1	X	3	4	X	3	ESCORT II	5	X	3	1	X	3
8010A	1	X	2	4	X	2	JAGUAR 4013	3	X	4	2	X	1
8015	1	X	3	4	X	3	LEOPARD B	2	X	3	1	X	3
8015A	1	X	2	4	X	2	LION	4	1	3	2	X	3
8015B	4	X	2	1	X	2	LION 40	4	3	2	1	X	2
8041	4	X	2	1	X	2	LYNX	4	3	2	1	X	2
8046	4	3	2	1	X	2	PANTHER SSB	3	X	2	1	X	2
8047	4	X	2	1	X	2	PIRATE	4	X	5	2	X	5
8117	1	X	3	4	X	3	PUMA	4	3	2	1	X	2
BL3100	4	X	2	1	X	2	PUMA 23B	1	2	3	4	X	3
CB113	4	X	2	1	X	2	PUMA 23C	4	3	2	1	X	2
CB161	4	X	2	1	X	2	PUSSYCAT	4	3	1	2	X	1
CB162	4	X	2	1	X	2	SINBA SSB	3	X	2	1	X	2
CB166C	4	X	2	1	X	2	SUPER LYNX	4	3	2	1	X	2
CB185	4	X	2	1	X	2	SUPERTIGER40A	4	3	2	1	X	2
CB76	1	2	3	4	X	3	TIGER 40	4	3	2	1	X	2
DX2300B	1	2	3	4	X	3	TIGER 23	5	X	3	1	X	3
SINETALK1000M	4	X	2	1	X	2	TIGER 23B	4	3	2	1	X	2
TA2300	4	3	2	1	X	2	TIGER 23C	4	3	2	1	X	2
TA2300B	4	3	2	1	X	2	TIGER 40A	4	3	2	1	X	2
PAL							TIGER MARK II	4	3	2	1	X	2
COYOTE 23	4	X	2	1	X	2	TIGER MARK IV	4	3	2	1	X	2
PALOMAR							PIONEER						
21	3	4	1	2	X	1	GT1100G	3	4	2	1	X	2
41	3	4	1	2	X	1	GT6600	3	5	2	1	4	2
4100	4	3	2	1	X	2	FONY						
49 - Nesco 1249 -	3	4	1	2	X	1	CR78	4	3	2	1	X	2
DIGICOM-100	2	X	3	1	X	3	410	2	5	3	1	X	4
SSB500	3	X	1	2	X	4	PRECOR						
PANASONIC							X	4	3	2	1	X	2
2300	3	1	4	2	X	4	PRESIDENT						
4700	2	5	3	1	X	3	ADAMS	3	4	1	2	X	1
4701	2	5	3	1	X	3	ANDREW "J"	3	4	1	2	X	1
4737	2	5	3	1	X	3	DWIGHT D	3	4	1	2	X	1
4747	2	5	3	1	X	3	GRANT	5	3	4	1	X	2
4748	2	5	3	1	X	3	HONEST ABE	3	4	1	2	X	1
CRB1717EU	2	X	3	1	X	3	JOHN Q	3	4	1	2	X	1
RJ3150	3	4	2	1	X	2	MADISON	3	X	1	2	X	1
RJ3250	1	5	2	3	X	2	MCKINLEY	5	3	4	1	X	2
RJ3100	3	4	2	1	X	2	OLD HICKORY	3	4	1	2	X	1
RJ3200	3	1	4	2	X	4	TEDDY R	3	4	1	2	X	1

MFG. & MODEL	RED	BLU	BLK	WHT	YEL	SHD	MFG. & MODEL	RED	BLU	BLK	WHT	YEL	SHD
PRESIDENT							REALISTIC						
THOMAS J	3	4	1	2	X	1	TRC471	3	4	2	1	X	2
VEEP	3	4	1	2	X	1	TRC48	3	X	1	4	X	1
WASHINGTON	5	3	4	1	X	2	TRC49	3	X	1	4	X	1
ZACHARY T	3	4	1	2	X	1	TRC50	3	5	1	4	X	1
PROMINENT							TRC52	3	5	1	4	X	1
MS24	3	5	2	1	X	2	TRC55	3	5	1	4	X	1
R.C.A.							TRC56	3	5	1	4	X	1
14T100	4	3	2	1	X	2	TRC57	3	X	1	4	X	1
14T200	4	3	2	1	X	2	TRC67	3	5	1	4	X	1
14T305	4	3	2	1	X	2	TRC68	3	5	1	4	X	1
14T270	4	3	2	1	X	2	TRC8D	1	2	4	3	X	4
14T260	4	3	2	1	X	2	TRC425	3	5	1	4	X	1
14T270	4	3	2	1	X	2	TRC458	3	5	1	4	2	1
14T300	4	3	2	1	X	2	REGENCY						
14T301	4	3	2	1	X	2	CB501	3	5	2	4	X	2
14T302	4	3	2	1	X	2	CB701	3	5	2	4	X	2
14T303	4	3	2	1	X	2	CR142	3	4	2	1	X	2
14T304	4	3	2	1	X	2	CR185	3	4	2	1	X	2
14T405	2	X	3	1	X	3	CR240	4	3	2	1	X	2
RAY JEFFERSON							CR123B	3	X	2	1	X	2
CB701	4	3	2	1	X	2	CR230	3	4	2	1	X	2
CB740	3	4	2	1	X	2	CR430	4	3	2	1	X	2
CB845	4	3	2	1	X	2	CR485	4	3	2	1	X	2
CB705	3	4	2	1	X	2	CR486	4	3	2	1	X	2
CB805	2	3	4	1	X	4	SPRINT 2311	3	4	2	1	X	2
CB840	4	3	2	1	X	2	ROBERTS						
RAYTHEON							RCB10	4	X	1	2	X	1
RAYCOM IV	3	X	1	2	X	1	RCB50	4	X	1	2	X	1
REALISTIC							RCB70	5	4	6	1	X	6
TRC457	3	2	1	4	X	1	ROBYN						
TRC424	3	5	1	4	X	1	007-140	3	4	2	1	X	2
TRC152	3	5	1	4	X	1	AM500D	3	4	2	1	X	2
TRC200	3	5	1	4	X	1	DG130D	3	4	2	1	X	2
TRC23B	3	X	2	1	X	2	BB123	4	X	2	1	X	2
TRC23C	3	5	1	4	X	1	DG30	3	4	2	1	X	2
TRC24	3	X	2	1	X	2	GT410D	3	X	6	1	X	2
TRC24A	3	5	1	4	X	1	GT7C	3	X	2	1	X	2
TRC24B	3	5	1	4	X	1	SS747B	4	X	3	2	X	1
TRC24C	3	5	1	4	X	1	SX401	3	X	4	1	X	2
TRC30	3	5	1	4	X	1	SX402D	3	X	4	1	X	2
TRC40	3	X	2	1	X	2	SX007	3	4	2	1	X	2
TRC431	3	5	1	4	2	1	T123	4	X	3	2	X	1
TRC440	3	5	1	4	2	1	T240D	2	4	3	1	X	3
TRC449	3	2	1	4	X	1	RANGER GAIN	4	X	3	2	X	1
TRC452	3	5	1	4	X	1	SB510D	3	4	2	1	X	2
TRC454	3	5	1	4	X	1	SB520D	3	X	2	1	X	2
TRC455	3	5	1	4	X	1	WV110	3	4	2	1	X	2
TRC456	3	5	1	4	X	1	LB23A	3	4	2	1	X	2
TRC46	3	5	1	4	X	1	LB120	3	4	2	1	X	2
TRC427	3	5	1	4	X	1	TR123	3	X	1	2	X	1
TRC422	3	5	1	4	X	1	TR123B	3	X	1	2	X	1
TRC466	3	5	1	4	2	1	TR123C	4	X	2	1	X	2
TRC467	3	5	1	4	2	1	WV23A	3	4	2	1	X	2
TRC468	3	5	1	4	2	1	ROMAR						
TRC469	3	5	1	4	X	1	ACT1914	4	3	2	1	X	2
TRC47	3	X	1	4	X	1	CB7000	2	X	3	1	X	3

MFG. & MODEL	RED	BLU	BLK	WHT	YEL	SHD	MFG. & MODEL	RED	BLU	BLK	WHT	YEL	SHD
ROSS							SANYO						
CB1000	3	4	2	1	X	2	TA2000	3	1	4	2	X	4
POYCE							TA4000	3	1	4	2	X	4
1-580	3	X	2	1	X	2	TA1000	1	4	3	2	X	3
1-600	3	4	2	1	X	2	TA901B	4	3	1	2	X	1
1-600A	3	4	2	1	X	2	TA901C	1	4	3	2	X	3
1-600B	3	4	2	1	X	2	TA923	3	5	1	4	X	1
1-601	3	X	2	1	X	2	SBE						
1-602	3	X	2	1	X	2	10CB	4	X	3	2	X	1
1-602A	3	X	2	1	X	2	11CB	4	X	3	2	X	1
1-603	3	X	2	1	X	2	12CB	4	X	3	2	X	1
1-604	3	4	2	1	X	2	14CB	4	X	3	2	X	1
1-605A	3	X	2	1	X	2	16CB	4	X	3	2	X	1
1-606	3	X	2	1	X	2	18CB	4	X	3	2	X	1
1-608	3	4	2	1	X	2	26CB	3	X	4	2	X	1
1-610	3	X	2	1	X	2	29CB	4	X	3	2	X	1
1-612	2	1	3	4	X	3	30CB	4	X	3	2	X	1
1-614	3	4	2	1	X	2	41CB	4	X	3	2	X	1
1-617	3	X	2	1	X	2	42CB	3	4	1	2	X	1
1-620	3	4	2	1	X	2	44CB	4	X	3	2	X	1
1-621	3	4	2	1	X	2	45CB	4	X	3	2	X	1
1-624	3	X	2	1	X	2	ASFEN	4	3	1	2	X	1
1-625	2	X	3	1	X	3	49CB	5	1	2	4	X	2
1-630	5	X	2	1	X	2	6CB	1	X	3	2	X	3
1-631	3	X	2	1	X	2	8CB	4	X	3	2	X	1
1-632	3	X	2	1	X	2	FORMULA D	3	X	4	2	X	1
1-635	3	X	2	1	X	2	KEY COM 1000	3	X	4	2	X	1
1-636	3	X	2	1	X	2	MALIBU 40	3	X	1	2	X	1
1-640	3	X	2	1	X	2	SIDEBANDER II	4	X	3	2	X	1
1-641	3	X	2	1	X	2	TAHOE-40	5	1	3	4	X	2
1-648	3	4	2	1	X	2	SIDEBANDER IV	3	X	4	2	X	1
1-650	3	X	2	1	X	2	TOUCH COM 40	2	5	3	1	X	3
1-653B	3	X	2	1	X	2	TRINIDAD III	4	X	3	2	X	1
1-655	3	X	2	1	X	2	SIDEBANDER V	3	X	4	2	X	1
1-658	3	X	2	1	X	2	LCMS5	3	4	1	2	X	1
1-660	3	X	2	1	X	2	LCBS8	5	3	4	1	X	2
1-675	3	X	2	1	X	2	SCOUT						
1-662	3	X	2	1	X	2	S110	2	3	4	1	X	4
1-673	3	X	2	1	X	2	SEARS						
1-675	3	X	2	1	X	2	37038050700	5	X	1	4	X	1
1-678	3	X	2	1	X	2	562.38200700	3	5	1	4	X	1
1-680	3	X	2	1	X	2	663.38070700	3	5	1	4	X	1
1-682	3	X	2	1	X	2	934.36771500	3	2	1	4	X	1
1-700	3	X	2	1	X	2	934.36770500	3	X	1	4	X	1
1-607	3	4	2	1	X	2	934.38060700	3	5	1	4	X	1
1-609	4	5	2	1	X	2	934.38062700	3	5	1	4	X	1
611	4	5	2	1	X	2	934.38080700	3	5	1	4	X	1
RYSTL							934.38081700	3	5	1	4	X	1
CB523	3	X	2	1	X	4	934.38110700	3	5	1	4	X	1
CBR1700	4	3	2	1	X	2	934.38270700	3	5	1	4	X	1
CBR1800	4	3	2	1	X	2	ROADTALKER	5	X	1	4	X	1
CBR2100	3	4	1	2	X	1	934.3670500	3	5	1	4	X	1
SAMN ELECT. CORP.							934.36710500	3	5	1	4	X	1
ORBITSONIC200	3	X	1	2	X	1	934.36711600	3	5	1	4	X	1

MFG. & MODEL	RED	BLU	BLK	WHT	YEL	SHD	MFG. & MODEL	RED	BLU	BLK	WHT	YEL	SHD
X SEARS							STANDARD COMM						
934.36712600	3	5	1	4	X	1	HORIZONS 29	3	4	1	2	X	1
934.36740500	3	5	1	4	X	1	HORIZONS 29A	3	4	1	2	X	1
934.36741600	3	5	1	4	X	1	STEREOSONIC						
934.36742600	3	5	1	4	X	1	2355	4	3	2	1	X	2
934.36760600	3	5	1	4	X	1	2360	4	3	2	1	X	2
934.38011700	3	5	1	4	X	1	STONER						
CM2358S	3	5	1	4	X	1	PRO40	4	X	3	2	X	3
CM23785A	3	5	1	4	X	1	SUPERSCOPE						
CM4700S	3	5	1	4	X	1	AIRCOMMCB640	3	4	2	1	X	2
CM6000LA	3	5	1	4	X	1	AIRCOMMCBR40	3	4	2	1	X	2
CM6000LB	3	5	1	4	X	1	CB140	3	4	2	1	X	2
934.36772600	3	2	1	4	X	1	CB340	3	4	2	1	X	2
CM6000LC	3	5	1	4	X	1	SURVEYOR						
CM6100S	3	5	1	4	X	1	2100	1	X	2	4	X	2
CM6200S	3	5	1	4	X	1	2300	1	X	2	4	X	2
SEIKI							2400	1	X	2	4	X	2
HA23C	3	X	2	1	X	2	2400A	1	X	2	4	X	2
SHAKESPEARE							2400B	1	X	2	4	X	2
GBS240	4	3	2	1	X	2	2600	2	1	4	3	X	4
GBS1500	4	3	2	1	X	2	2610	3	4	1	2	X	1
GBS2000	3	4	2	1	X	2	2630	3	4	2	1	X	2
GBS2500	4	3	2	1	X	2	TEABERRY						
GBS340	4	3	2	1	X	2	5X5	4	3	2	1	X	2
SHARK							BIG T	4	3	2	1	X	2
C300X	3	X	1	4	X	1	MIGHTY T	3	5	1	4	X	1
CX300S	3	X	1	4	X	1	SILVER FACE	3	X	2	1	X	2
SHARP							STALKER II	4	3	2	1	X	2
CB2260	2	X	4	1	X	4	STALKER III	3	5	1	4	X	1
CB2460	2	X	4	1	X	4	STALKER IV	4	3	2	1	X	2
CB800	2	X	4	1	X	4	STALKER IX	5	3	2	1	X	2
CBT55	4	X	2	1	X	2	T COMMAND	4	3	2	1	X	2
SHIGMA							T CHARLIE	3	1	4	2	X	4
SR76	5	3	2	1	X	2	T DISPATCH	4	3	2	1	X	2
SILTRONIX							T SCOUT	4	3	2	1	X	2
AM1	2	X	4	1	X	4	T CONTROL	3	1	4	2	X	4
AM2	2	X	4	1	X	4	T HAWK	3	1	4	2	X	4
APACHE	2	X	3	1	X	3	T BEAR	4	3	2	1	X	2
MOHAWK	2	X	3	1	X	3	TITAN	4	3	2	1	X	2
SSB23	2	X	4	1	X	4	TEABBERRY						
SKYFON							STALKER VIII	2	X	3	1	X	3
OM423	3	X	2	1	X	2	TELEDYNE						
SOMMERKAMP							RA510	3	X	2	1	X	2
X	3	X	1	2	X	1	TEMPO						
SONAR							2020	4	X	3	1	X	2
J23	3	2	1	4	X	1	TENNA						
SONIC							A0902	2	3	4	1	X	4
CT101	2	3	1	4	X	1	TOKYO-SANSEI						
CT105	2	3	1	4	X	1	1125	4	3	2	1	X	2
CT121	2	3	1	4	X	1	D1325RF	4	3	2	1	X	2
SONY							GRAND-PRIX	4	3	2	1	X	2
ICB2500	2	X	1	4	X	1	TRADESCOPE						
SPARKOMATIC							2001	1	X	2	4	X	2
CB1023	3	5	2	1	X	2							
CB1123	3	4	1	2	X	1							
CB2023	3	4	2	1	X	2							

MFG. & MODEL	RED	BLU	BLK	WHT	YEL	SHD	MFG. & MODEL	RED	BLU	BLK	WHT	YEL	SHD
TRAM							VECTOR						
D12	3	X	1	2	X	1	770	3	X	1	2	X	1
D42	3	X	1	2	X	1	790	3	X	4	2	X	1
DIAMOND 40	3	X	1	2	X	1	III	4	X	2	1	X	2
DIAMOND 60	3	X	1	2	X	1	IX	4	X	2	1	X	2
XL	3	X	1	2	X	1	VII	4	3	2	1	X	2
XL5	3	X	4	2	X	1	VIII	4	3	2	1	X	2
D80	5	3	4	1	X	2	WARDS						
D62	3	X	1	2	X	1	GEN 774A	4	X	2	1	X	2
D64	3	X	1	2	X	1	GEN 828A	4	X	2	1	X	2
TRANSONIC							GEN 702A	4	X	2	1	X	2
MCB22	3	4	2	1	X	2	GEN 774A	4	X	2	1	X	2
MCB24	4	3	2	1	X	2	GEN 696A	4	3	2	1	X	2
MCB40	3	4	2	1	X	2	GEN 716A	4	3	2	1	X	2
MCB41	3	4	2	1	X	2	GEN 730A	4	X	2	1	X	2
TRANSPHONIC							GEN 775	4	3	2	1	X	2
CB418	4	3	1	2	X	1	WELLS INC						
TRUETONE							W605	3	X	2	1	X	2
CYJ4832A87	4	3	2	1	X	2	W705	3	4	1	2	X	1
CYJ4837A87	6	3	4	1	X	4	WESTERN AUTO						
CYJ4732A77	4	3	2	1	X	2	23-4434-9	4	3	2	1	X	2
CYJ4834A87	4	3	2	1	X	2	CYJ4832A87	4	3	2	1	X	2
DC4672	4	3	2	1	X	2	CYJ4834A87	4	3	2	1	X	2
DX4370	3	4	2	1	X	2	CYJ4837A87	6	3	4	1	X	4
MCC4774	3	4	1	5	2	1	WESTLAND INTER						
MCC4434A57	4	3	2	1	X	2	WESTPORT 900	4	3	2	1	X	2
MCC4434B67	4	3	2	1	X	2	WILSON						
MCC4532A47	4	3	2	1	X	2	60	4	3	2	1	X	2
ICC4635A67	4	3	2	1	X	2	WINDSOR						
MCC4720A77	3	1	4	2	X	4	3000	4	3	1	2	X	1
MCC4760A67	4	3	2	1	X	2	MCB 22	4	3	2	1	X	2
MCC4770	4	3	2	1	X	2	W60	4	3	2	1	X	2
MCC4774	3	2	1	5	X	1	W80	4	3	2	1	X	2
MIC4733A67	4	3	2	1	X	2	XTAL						
MIC4739A67	4	3	2	1	X	2	XCB11	4	X	1	2	X	1
MIC4731A67	1	2	3	4	X	3	XCB12	3	X	5	4	X	5
UNIDEN CORP							XCB6	4	3	1	2	X	1
CBR9300	2	X	4	3	X	4	XCB3	4	3	1	2	X	1
UNIMETRICS							XCB6	4	3	1	2	X	1
25DX	4	1	3	2	X	3	XCB7	5	4	6	1	X	6
SANDPIPER 25	4	1	3	2	X	3	YAESU						
STINGRAY 11	2	5	3	1	X	4	FT101 SERIES	3	X	1	2	X	1
UNION							FT301	3	X	1	2	X	1
UTR1000	4	3	2	1	X	2	FT7B	3	X	1	2	X	1
UTAC							ZODIAC						
18M	3	X	2	1	X	2	M5023	3	5	2	1	X	2
STUDIO 4000	2	X	3	1	X	3	M5026	4	5	2	1	X	2
SUPER TINY 23	5	2	6	1	X	6							
TRX2000	1	5	2	3	X	2							
TRX400	2	4	3	1	X	3							
TRX500	2	4	3	1	X	3							
TRX30	2	X	3	1	X	3							
VANCO													
STALLION 1000	3	X	2	1	X	2							