

This Manual is provided by  
***CBTricks.com***

Someone who wanted to help you repair your equipment put together this information.

**Cobra CA60 Owner's Manual**

If you would like to help us put more manuals online support us.

**If you would like to help with this project let us know.**

Supporters of CBTricks.com paid for the hosting so you would have this file.

CBTricks.com is a non-commercial personal website was created to help promote the exchange of service, modification, technically oriented information, and historical information aimed at the Citizens Band, GMRS (CB "A" Band), MURS, Amateur Radios and RF Amps.

CBTricks.com is not sponsored by or connected to any Retailer, Radio, Antenna Manufacturer or Amp Manufacturer, or affiliated with any site links shown in the links database. The use of product or company names on my web site is not endorsement of that product or company.

If your company would like to provide technical information to be featured on this site I will put up on the site as long as I can do it in a non-commercial way.

The site is supported with donation from users, friends and selling of the Galaxy Service Manual CD to cover some of the costs of having this website on the Internet instead of relying on banner ads, pop-up ads, commercial links, etc. Thus I do not accept advertising banners or pop-up/pop-under advertising or other marketing/sales links or gimmicks on my website.

ALL the money from donations is used for CBTricks.com I didn't do all the work to make money (I have a day job). This work was not done for someone else to make money also, for example the ebay CD sellers.

All Trademarks, Logos, and Brand Names are the property of their respective owners.

This information is not provided by, or affiliated in any way with any radio or antenna Manufacturers.

**Thank you for any support you can give.**

For information on how to Support CBTricks.com

**<http://www.cbtricks.com/support/>**

## **INSTRUCTIONS FOR COBRA MODEL CA-60 "DYNAMIKE PLUS" BASE STATION AMPLIFIER MICROPHONE**

The Cobra CA-60 "DYNAMIKE PLUS" is an amplified microphone, designed for base station operation with CB radios. It includes a solid state amplifier, adjustable gain control, push-to-talk switch with lock feature, and a relay/electronic switch that adapts the CA-60 for use with both relay and electronic controlled transmitters. A light-emitting diode illuminates when the push-to-talk switch is operated.

Your DYNAMIKE PLUS is mounted on a handsome free-standing professional-type black pedestal. The height and angle of tilt of the pedestal are human-engineered, for comfortable operation of the microphone. The dual transistor amplifier—in addition to providing more talk power—accentuates the more desirable and useful frequencies of your voice.

The amplified microphone allows you to communicate effectively whether you are speaking in a normal voice at a distance from the microphone, or talking close to it.

### **INSTALLATION**

Your Cobra DYNAMIKE PLUS comes equipped with a four-pin connector already installed on the cable. When used with any Cobra radio, all you have to do is plug the CA-60 into your radio. (For instructions on using your DYNAMIKE PLUS with any radio other than Cobra, see page 3.)

### **OPERATION (Refer to Fig. 1 and 2)**

1. Check transceiver instruction manual to determine whether switching is electronic or relay.
2. Set switch (5) to proper position to correspond with transceiver switching.

### **NOTE**

Be careful to set the CA-60 gain control to an optimum level for best intelligibility; excessive gain can result in undesirable distortion.

Amplified microphones should not be operated close to speakers nor to antennas to avoid possibility of acoustic or RF feedback.

3. Depress the push-to-talk switch (1) [noticing that the TX lamp (3) lights] and speak in your normal voice. If you want the radio to remain in the transmit mode without having to hold the push-to-talk switch, depress the LOCK bar (2).
4. To return to receive mode, depress and release the LOCK bar.
5. If the TX lamp does *not* light when the push-to-talk switch is depressed, remove the battery cover screw (4), beneath the base, and replace the batteries.

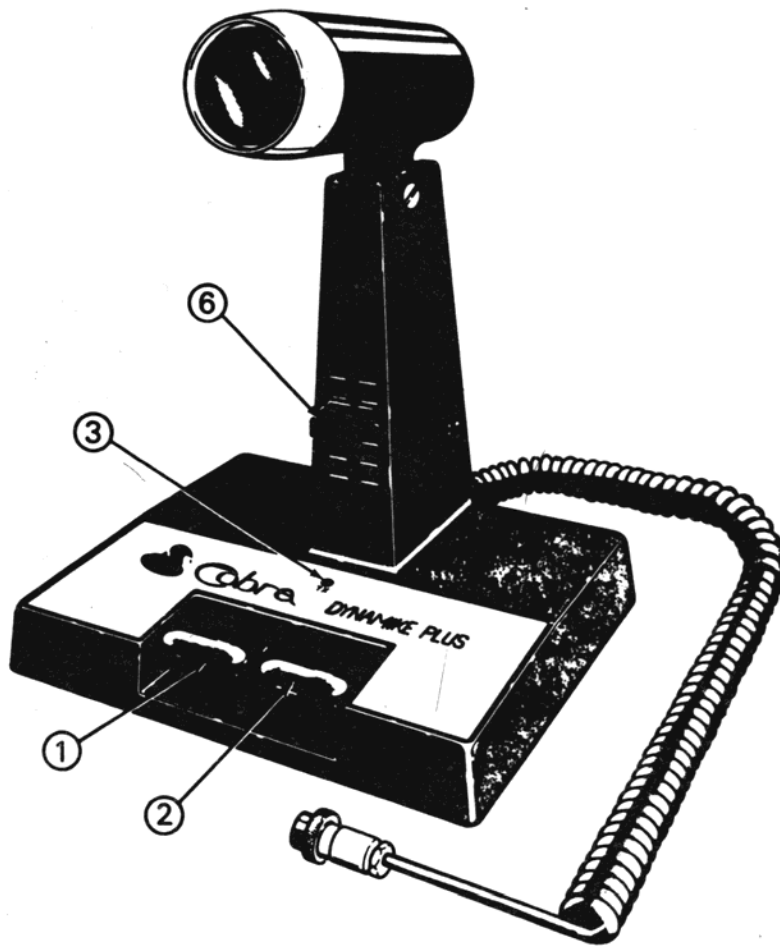


Fig. 1. Top view of CA-60.

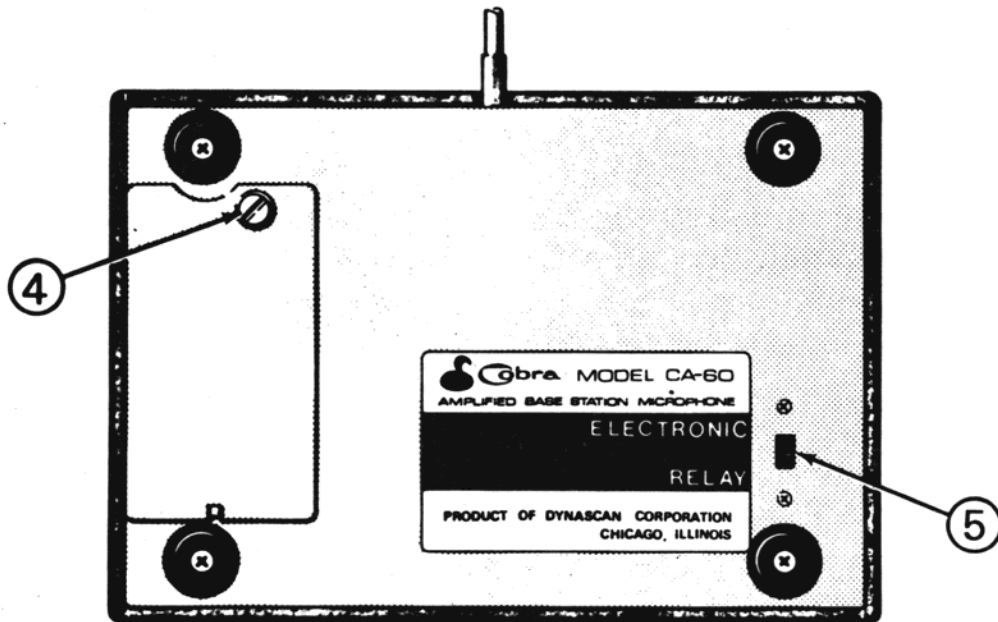


Fig. 2. Bottom view of CA-60.

## USING THE CA-60 WITH RADIOS OTHER THAN COBRA

### Alternate Cable Connector

To wire the DYNAMIKE PLUS for radios other than Cobra models, refer to your CB radio instruction manual for proper connector and wiring.

On your CA-60 cable, color code is as follows:

White wire:	Audio lead
Shield:	Ground
Red wire:	Transmitter control
Black wire:	Receiver control

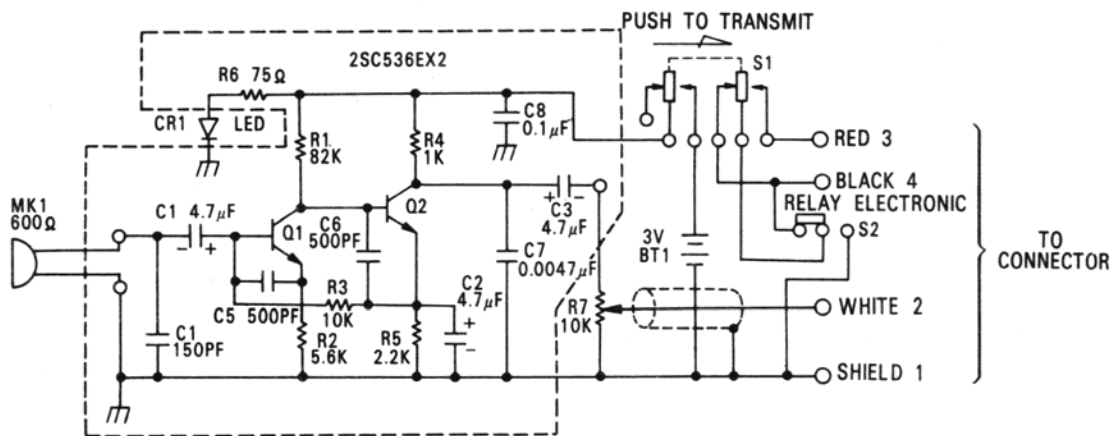


Fig. 3. Model CA-60 schematic diagram.

## COBRA MODEL CA-60 SPECIFICATIONS

<b>TYPE:</b>	Dynamic microphone with transistor amplifier and gain control.
<b>IMPEDANCE:</b>	900 ohms, $\pm 30\%$ at 1 kHz.
<b>FREQUENCY RESPONSE:</b>	Voice range.
<b>OUTPUT LEVEL:</b>	-45 dB $\pm 5.5$ dB at 1 kHz, with gain control set at max.
<b>AMPLIFIER VOLTAGE GAIN:</b>	24 dB. $\pm 3$ dB with gain control set at max.
<b>COILED CABLE:</b>	12 inches to 6 feet.
<b>WEIGHT:</b>	20 oz.
<b>BATTERY:</b>	2 type AA (not supplied).

## COBRA MODEL CA-60 PARTS LIST

SCHEMATIC SYMBOL	DESCRIPTION	COBRA PART NO.
------------------	-------------	----------------

### RESISTOR

R7	10k, variable .....	008-270-9-001
----	---------------------	---------------

### MISCELLANEOUS

BT1	Battery, type AA .....	210-005-9-001
MK1	Microphone, dynamic element .....	562-011-9-001
Q1	Transistor, NPN 2SC536(E) .....	176-058-9-001
Q2	Transistor, NPN 2SC536(E) .....	176-058-9-001
S1	Switch, leaf, DPDT * .....	080-005-9-001
CR1	LED .....	158-009-9-001
S2	Switch, miniature, slide, SPDT .....	084-049-9-001
	Knob, volume control .....	751-131-9-001
	Knob, push-to-talk .....	751-131-9-002
	Knob, lock .....	751-131-9-003
	Bottom plate .....	252-018-9-001
	Cord, coiled .....	427-017-9-001
	4-pin connector, female .....	771-022-9-001
	Screw (bottom cover) .....	709-722-1-301
	Clamp, microphone cord .....	741-085-9-001
	Housing microphone, black .....	380-257-9-001
	Cap microphone, silver satin .....	260-078-9-001
	Base, black plastic .....	380-258-9-001
	Instruction folder .....	481-071-9-001

NOTE: Standard value resistors and capacitors are not listed. Values may be obtained from schematic diagram. Minimum charge \$5.00 per invoice. Orders will be shipped C.O.D. unless previous open account arrangements have been made or remittance accompanies order. Remittance must include postage or express charges. Specify serial number to facilitate identification of exact replacement parts.

## WARRANTY SERVICE INSTRUCTIONS

1. Refer to instruction manual for adjustments that may be applicable.
2. Defective parts removed from units which are within the warranty period should be sent to the factory prepaid with model and serial number of product from which removed and date of product purchase. These parts will be exchanged at no charge.
3. If the above-mentioned procedures do not correct the difficulty, pack the product securely using the same package arrangement as supplied by the manufacturer. A detailed list of troubles encountered must be enclosed as well as your name and address. Forward prepaid (express preferred) to the nearest Dynascan-authorized Cobra Communications service agency.

Contact your local Dynascan Distributor for the name and location of your nearest Cobra service agency, or write to:

### *Service Department*

Cobra Communications Product Group  
DYNASCAN CORPORATION  
2815 West Irving Park Road  
Chicago, Illinois 60618

### 90-DAY LIMITED WARRANTY

"DYNASCAN warrants that each product manufactured by it will be free from defects in materials and workmanship under normal usage and service for a period of ninety days after its purchase new from an authorized COBRA distributor. Our obligation under this warranty is limited to repairing or replacing any product or component which we are satisfied does not conform with the foregoing warranty and which is returned to our factory or our authorized service contractor, transportation prepaid, and we shall not otherwise be liable for any damages, consequential or otherwise. *The foregoing warranty is exclusive and in lieu of all other warranties (including any warranty of merchantability), whether expressed or implied.* Such warranty shall not apply to any product or component (i) repaired or altered by anyone other than DYNASCAN or its authorized service contractor (except normal tube replacement) with DYNASCAN's prior written approval; (ii) tampered with or altered in any way or subjected to misuse, negligence or accident, (iii) which has the serial number altered, defaced or removed; or (iv) which has been improperly connected, installed or adjusted otherwise than in accordance with DYNASCAN's instructions. DYNASCAN reserves the right to discontinue any model at any time or change specifications or design without notice and without incurring any obligation. *The warranty shall be void and there shall be no warranty of any product or component if a DYNASCAN warranty registration card is not properly completed and postmarked to the DYNASCAN factory within ten days after the purchase of the product new from an authorized COBRA distributor.*



**Cobra**

Communications Product Group

**DYNASCAN CORPORATION**

6460 West Cortland Street

Chicago, Illinois 60635

**481-071-9-001**