



SIRIO[®]
antenne



*To Keep
Your Connection
On The Road*

 **SIRIO CB Antennas**  **SIRIO CB Antennas**

CB CATALOGUE

ANTENNAS & ACCESSORIES **2006**

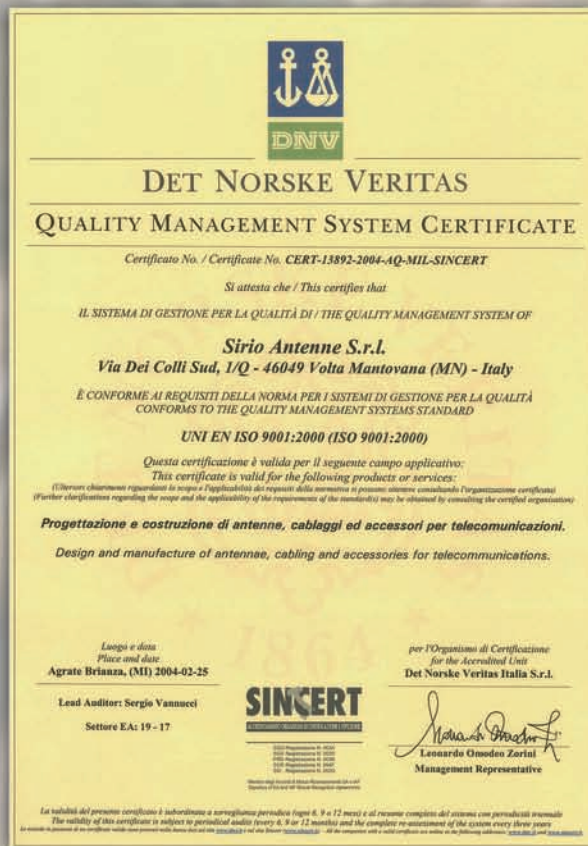
MADE IN ITALY

Sirio Antenne was founded in 1972 by Mr. Giuseppe Grazioli still General Manager of the company.

During this 30 year job the company got a considerable growth on the international markets and earned a reputation as a reliable, high quality supplier in the field of communication.

Thanks to its high **Quality Standards, Technological Research and Know-how**, Sirio Antenne has been able to develop a wide range of products in accordance with demand from the market.

We are listening to our customers and providing efficient, effective solutions to their needs because our customers' demand is our Company GROWTH.





SIRIO 827

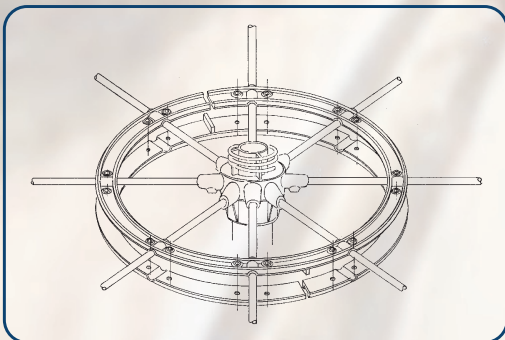
FEATURES

- # CB Base station antenna
- # Omnidirectional
- # Factory tuned at mid-band
- # High power handling capability
- # Low radiation angle for excellent DX
- # Equipped with excellent multi element ground plane
- # Made of aluminium alloy 6063 T-832
- # Protection from static discharges DC-Ground
- # Optional anti-noise NYLON RING (P/N 2511001.00)

TECHNICAL DATA

Type: $5/8 \lambda$ ground plane
 Impedance: 50Ω unbalanced
 Frequency range: 26-29 MHz
 Radiation: omnidirectional
 Polarization: vertical
 S.W.R. at res. freq.: $\leq 1.1:1$
 Max. power: 1000 Watts (CW) continuous
 3000 Watts (CW) short time
 Bandwidth at S.W.R. 2:1: 2 MHz
 Gain: 1.5 dBd, 3.65 dBi
 Wind resistance: 130 km/h
 Height (approx.): 6700 mm
 Weight (approx.): 6000 gr
 Radial length (approx.): 1400 mm
 Connector: UHF-female
 Mounting mast: $\varnothing 35-40$ mm

P/N 2104801.00



ANTI-NOISE NYLON RING
Optional
P/N 2511001.00





GPE 27 5/8
GPS 27 1/2

FEATURES

- # CB Base station antennas
- # Omnidirectional
- # Factory tuned at mid-band
- # Low radiation angle for excellent DX
- # Whip equipped with waterproof jointing sleeve
- # Protection from static discharges
DC-Ground
- # Coil protected by transparent cover
- # Made of aluminium alloy 6063 T-832

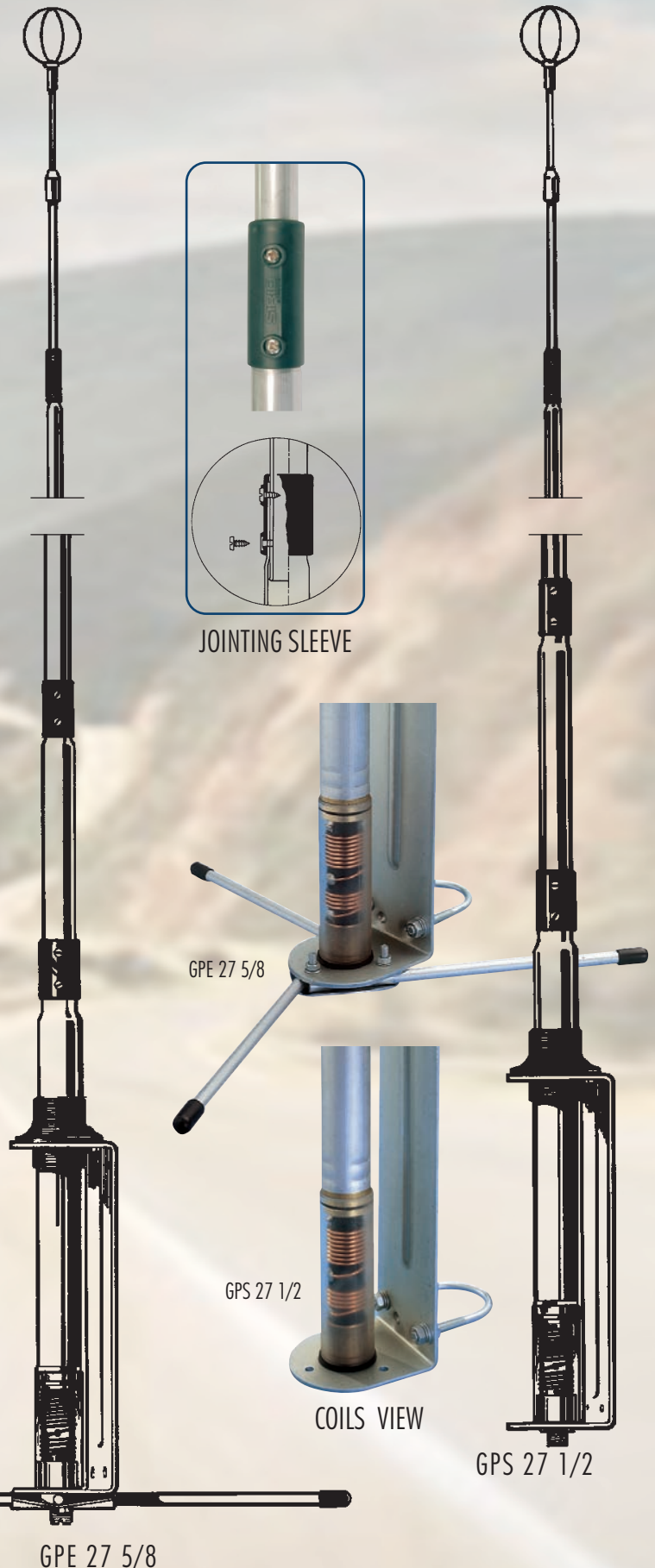
TECHNICAL DATA

Type:

GPE 27 5/8	5/8 λ ground plane
GPS 27 1/2	1/2 λ dipole
Impedance:	50 Ω unbalanced
Frequency range:	26-28 MHz
Radiation:	omnidirectional
Polarization:	vertical
S.W.R. at res. freq.:	≤ 1.2:1
Max. power:	250 Watts (CW) continuous
.....	750 Watts (CW) short time
Bandwidth at S.W.R. 2:1:	1400 kHz
Gain:	
GPE 27 5/8	1.2 dBd, 3.35 dBd
GPS 27 1/2	0 dBd, 2.15 dBi
Wind resistance:	130 km/h
Height (approx.):	
GPE 27 5/8	6500 mm
GPS 27 1/2	5750 mm
Weight (approx.):	
GPE 27 5/8	2500 gr
GPS 27 1/2	2100 gr
Radial length GPE 27 5/8:	1320 mm
Connector:	UHF-female
Mounting mast:	Ø 35-42 mm

P/N 2100301.00 GPE 27 5/8

P/N 2100401.00 GPS 27 1/2





TORNADO 27 5/8

- # CB Base station antenna
- # Omnidirectional
- # Tunable by whip length adjusting
- # Factory tuned at mid-band
- # High power handling capability
- # Whip equipped with waterproof jointing sleeves
- # Made of aluminium alloy 6063 T-832

TECHNICAL DATA

Type: 5/8 λ ground plane
 Impedance: 50 Ω unbalanced
 Frequency range: 26-28 MHz
 Radiation: omnidirectional
 Polarization: vertical
 S.W.R. at res. freq.: $\leq 1.2:1$
 Max. power: 1000 Watts (CW) continuous
 3000 Watts (CW) short time
 Bandwidth at S.W.R. 2:1: 2000 kHz
 Gain: 1.2 dBd, 3.35 dBi
 Wind resistance: 130 km/h
 Height (approx.): 7230 mm
 Weight (approx.): 2910 gr
 Radial length (approx.): 1170 mm
 Connector: UHF-female
 Mounting mast: \varnothing 35-42 mm

P/N 2100501.00 TORNADO 27 5/8

VECTOR 4000

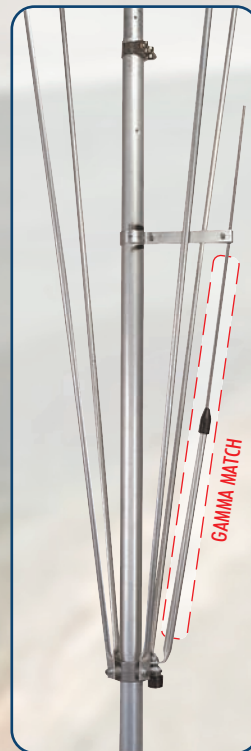
- # CB Base station antenna
- # Omnidirectional
- # Factory tuned at mid-band
- # Tunable by whip length adjusting
- # High power handling capability
- # Made of aluminium alloy 6063 T-832

TECHNICAL DATA

Type: 7/8 λ coaxial J-pole
 Impedance: 50 Ω unbalanced
 Frequency range: 26-28 MHz
 Radiation: omnidirectional
 Polarization: vertical
 S.W.R. at res. freq.: $\leq 1.2:1$
 Max. power: 1000 Watts (CW) continuous
 3000 Watts (CW) short time
 Bandwidth at S.W.R. 2:1: 1350 kHz
 Gain: 2 dBd, 4.15 dBi
 Wind resistance: 130 km/h
 Height (approx.): 9500 mm
 Weight (approx.): 4600 gr
 Connector: UHF-female
 Mounting mast: \varnothing 35-42 mm

P/N 2100701.00 VECTOR 4000

TORNADO 27 5/8 VECTOR 4000



RADIALS MOUNTING VIEW



TORNADO COIL

TORNADO 27 5/8

VECTOR 4000



THUNDER 27

- # CB Balcon or temporary installation antenna
- # Omnidirectional
- # Designed to work without Ground Plane
- # Factory tuned at mid-band

TECHNICAL DATA

Type: 1/4 λ helical loaded dipole
 Impedance: 50 Ω unbalanced
 Frequency range: 26-28 MHz
 Radiation: omnidirectional
 Polarization: vertical
 S.W.R. at res. freq.: $\leq 1.5:1$
 Max. power: 100 Watts (CW) continuous
 300 Watts (CW) short time
 Bandwidth at S.W.R. 2:1: 5000 kHz
 Gain: 0 dBd, 2.15 dBi
 Wind resistance: 180 km/h
 Height (approx.): 960 mm
 Weight (approx.): 700 gr
 Connector: UHF-female
 Mounting mast: \varnothing 25-32 mm

P/N 2107902.00 THUNDER 27

SIRIOSTAR 27

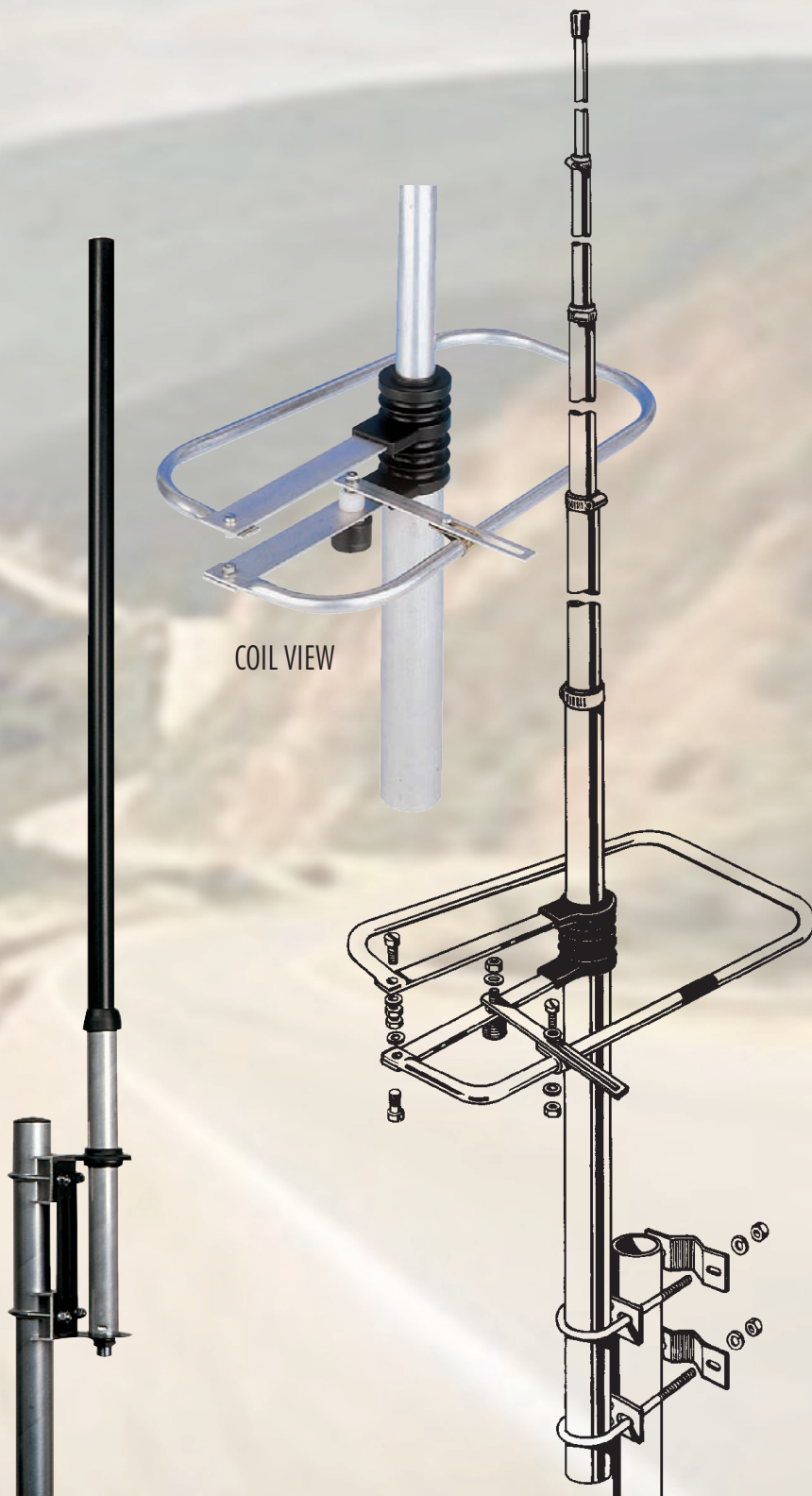
- # CB Base station antenna
- # Omnidirectional
- # Factory tuned at mid-band
- # Low radiation angle for excellent DX
- # Designed to work without Ground Plane
- # Protection from static discharges DC-Ground
- # Made of aluminium alloy 6063 T-832

TECHNICAL DATA

Type: 1/2 λ dipole
 Impedance: balanced
 Frequency range: 26-28 MHz
 Radiation: omnidirectional
 Polarization: vertical
 S.W.R. at res. freq.: $\leq 1.1:1$
 Max. power: 200 Watts (CW) continuous
 600 Watts (CW) short time
 Bandwidth at S.W.R. 2:1: 1350 kHz
 Gain: 0 dBd, 2.15 dBi
 Wind resistance: 140 km/h
 Height (approx.): 5220 mm
 Weight (approx.): 1700 gr
 Connector: UHF-female
 Mounting mast: \varnothing 35-42 mm

P/N 2103301.00 SIRIOSTAR 27

THUNDER 27 SIRIOSTAR 27



THUNDER 27

SIRIOSTAR 27



BOOMERANG series

FEATURES

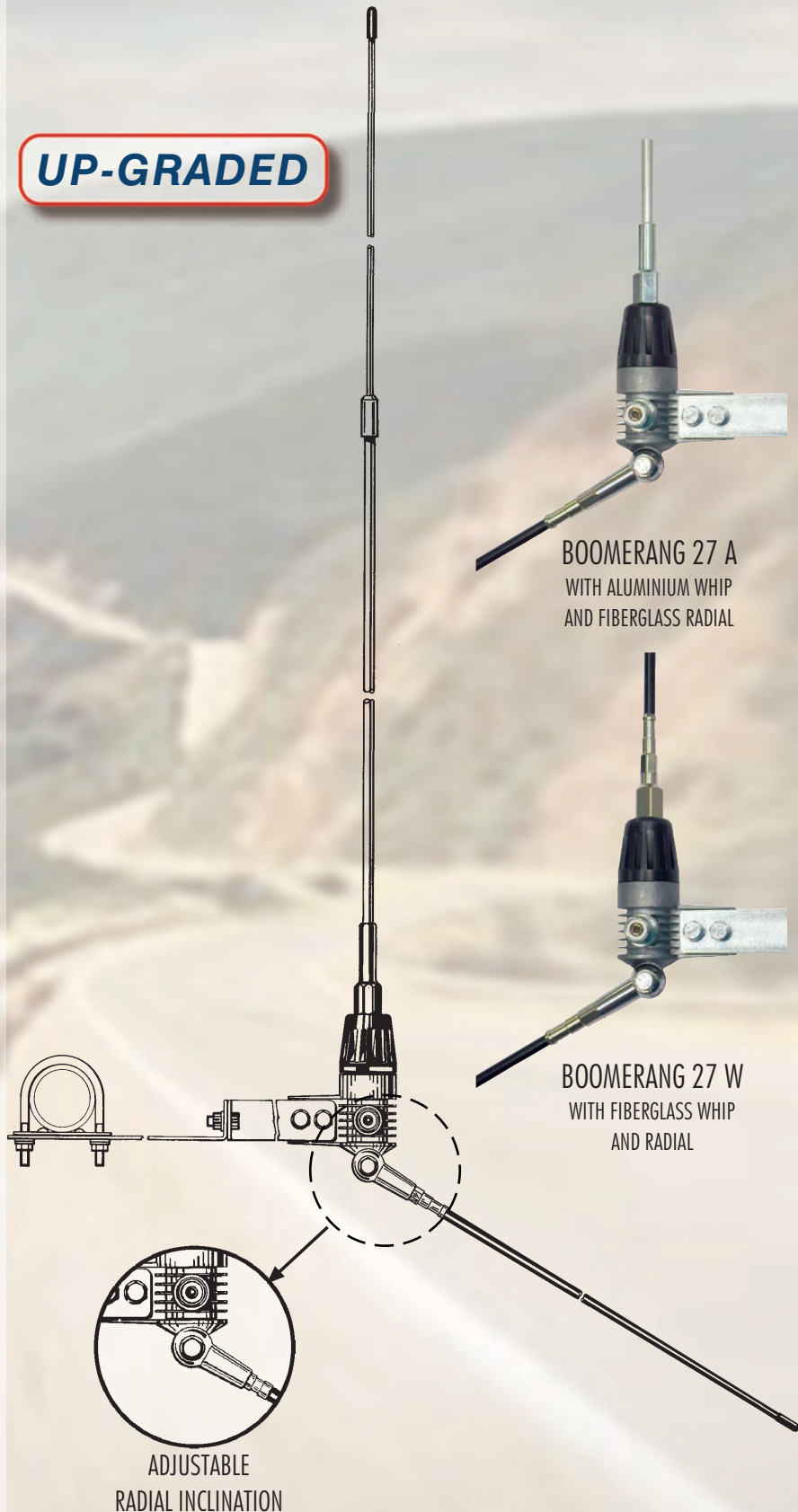
- # CB & 10m Balcon or temporary installation antennas
- # Omnidirectional
- # Factory tuned at mid-band
- # Tunable by length adjusting
- # BOOMERANG 27 A: main whip made of aluminium alloy 6063 T-832 and tapered fiberglass radial with inside helical winding
- # BOOMERANG 27 W: tapered fiberglass whip and radial with inside helical winding
- # UP-GRADE: higher power, new radial whip with inside helical winding

TECHNICAL DATA

Type:	1/4 λ boomerang
Impedance:	50 Ω unbalanced
Frequency range:	27-28.5 MHz
Radiation:	omnidirectional
Polarization:	vertical
S.W.R. at res. freq.:	$\leq 1.2:1$
Max. power:	
Boomerang 27 A	200 Watts (CW) continuous
.....	600 Watts (CW) short time
Boomerang 27 W	150 Watts (CW) continuous
.....	450 Watts (CW) short time
Bandwidth at S.W.R. 2:1:	
Boomerang 27 A	920 kHz
Boomerang 27 W	700 kHz
Gain:	0 dBd, 2.15 dBi
Wind resistance:	140 km/h
Height (approx.):	
Boomerang 27 A	3420 mm
Boomerang 27 W	2870 mm
Weight (approx.):	
Boomerang 27 A	880 gr
Boomerang 27 W	800 gr
Radial length (approx.):	1130 mm
Connector:	UHF-female

P/N 2101101.00 BOOMERANG 27 A
 P/N 2101115.00 BOOMERANG 27 W

UP-GRADED



BOOMERANG 27 A
 WITH ALUMINIUM WHIP
 AND FIBERGLASS RADIAL

BOOMERANG 27 W
 WITH FIBERGLASS WHIP
 AND RADIAL

ADJUSTABLE
 RADIAL INCLINATION



FEATURES

- # CB & 10m Balcon or temporary installation antennas
- # Omnidirectional
- # BOOMERANG 27 A: main whip made of aluminium alloy 6063 T-832 and tapered fiberglass radial with inside helical winding
- # BOOMERANG 27 W: tapered fiberglass whip and radial with inside helical winding
- # BALCONY 27-200: tunable from 27 to 200 MHz by diagram. Main whip and radial made of aluminium alloy 6063 T-832

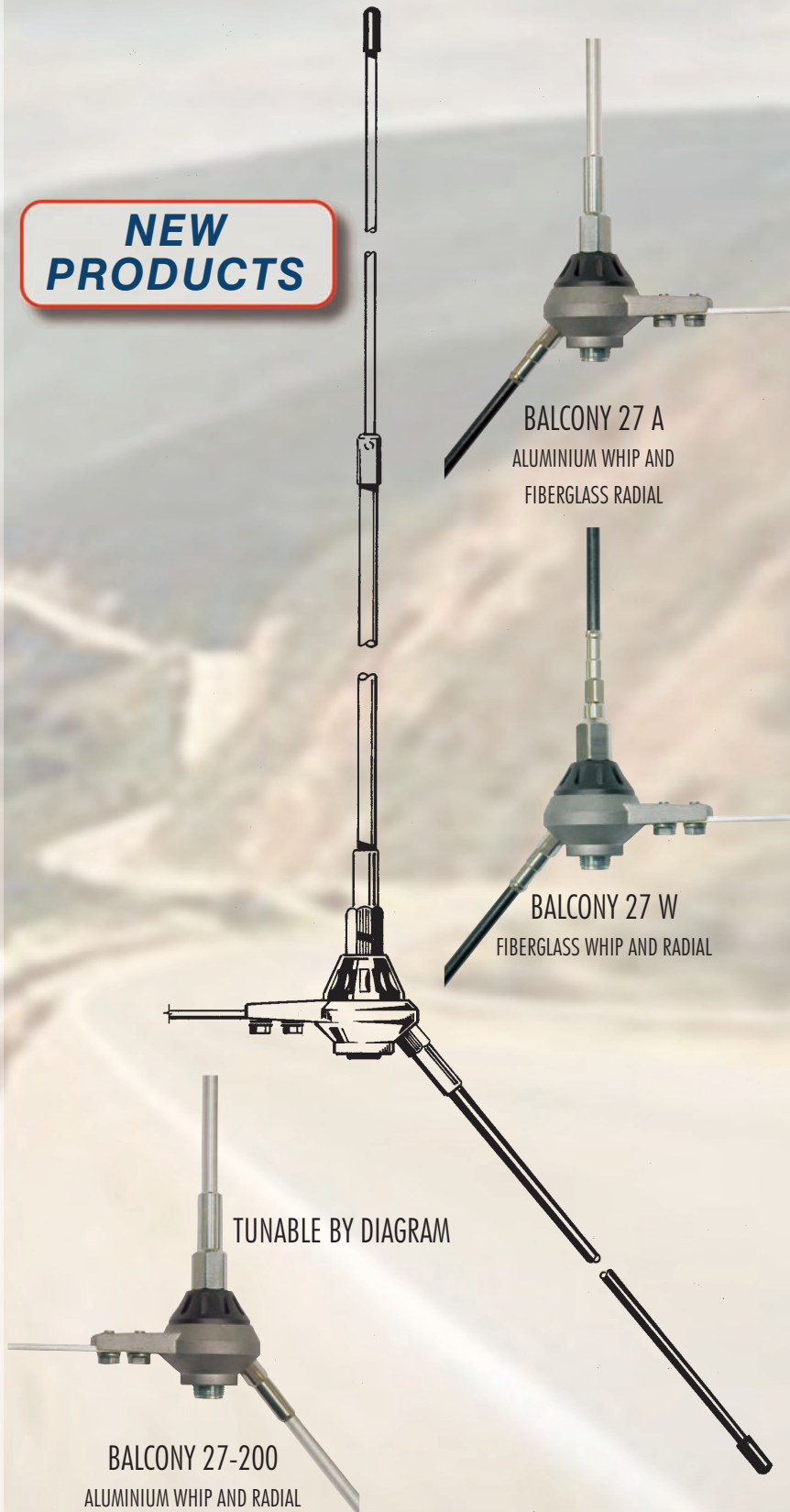
TECHNICAL DATA

Type:	1/4 λ boomerang
Impedance:	50 Ω unbalanced
Frequency range:	
Balcony 27 A, Balcony 27 W	27-28.5 MHz
Balcony 27-200	27-200 MHz tunable by diagram
Radiation:	omnidirectional
Polarization:	vertical
S.W.R. at res. freq.:	
Balcony 27 A, Balcony 27 W	≤ 1.2:1
Balcony 27-200	≤ 1.4:1 at 27 MHz
Max. power:	
Balcony 27 A	200 Watts (CW) continuous
.....	600 Watts (CW) short time
Balcony 27 W	150 Watts (CW) continuous
.....	450 Watts (CW) short time
Balcony 27-200	500 Watts (CW) continuous
.....	1500 Watts (CW) short time
Bandwidth at S.W.R. 2:1:	
Balcony 27 A	780 kHz
Balcony 27 W	700 kHz
Balcony 27-200	1600 kHz at 27 MHz
Gain:	0 dBd, 2.15 dBi
Wind resistance:	140 km/h
Height (approx.):	
Balcony 27 A	3670 mm
Balcony 27 W	2620 mm
Balcony 27-200	4965 mm
Weight (approx.):	
Balcony 27 A	720 gr
Balcony 27 W	630 gr
Balcony 27-200	840 gr
Radial length (approx.):	
Balcony 27 A, Balcony 27 W	1130 mm
Balcony 27-200	2750 mm
Connector:	UHF PL-259

- P/N 2113001.00 BALCONY 27 A
- P/N 2113015.00 BALCONY 27 W
- P/N 2113101.00 BALCONY 27-200

BALCONY series

NEW PRODUCTS





GPA 27-45

- # CB Base station antenna
- # Unity-gain, Omnidirectional
- # Tunable by acting on the whips length
- # High power handling capability
- # Low radiation angle for excellent DX
- # Made of aluminium alloy 6063 T-832
- # Side mast installation allowed by optional bracket FT-2 (P/N 2510004.00)

TECHNICAL DATA

Type: 1/4 λ ground plane
 Impedance: 50 Ω unbalanced
 Frequency range: 27-45 MHz tunable by diagram
 Radiation: omnidirectional
 Polarization: vertical
 S.W.R. at res. freq.: $\leq 1.2:1$
 Max. power: 1000 Watts (CW) continuous
 3000 Watts (CW) short time
 Bandwidth at S.W.R. 2:1 2500 kHz at 27 MHz
 Gain: 0 dBd, 2.15 dBi
 Wind resistance: 130 km/h
 Height (approx.): 4730 mm
 Weight (approx.): 1250 gr
 Radial length (approx.): 2680 mm
 Connector: UHF-female
 Mounting mast: \varnothing 35-40 mm

P/N 2100801.00 GPA 27-45

SIGNAL KEEPER 27

- # CB Base station antenna
- # Omnidirectional, Compact dimensions
- # Tunable by whip length adjusting
- # Made of aluminium alloy 6063 T-832
- # Side mast installation allowed by optional bracket FT-2 (P/N 2510004.00)

TECHNICAL DATA

Type: 1/4 λ base & radial loaded ground plane
 Impedance: 50 Ω unbalanced
 Frequency range: 26-28 MHz
 Radiation: omnidirectional
 Polarization: vertical
 S.W.R. at res. freq.: $\leq 1.2:1$
 Max. power: 100 Watts (CW) continuous
 300 Watts (CW) short time
 Bandwidth at S.W.R. 2:1 850 KHz
 Gain: 0 dBd, α 2.15 dBi
 Wind resistance: 130 km/h
 Height (approx.): 2370 mm
 Weight (approx.): 640 gr
 Radial length (approx.): 640 mm
 Connector: UHF-female
 Mounting mast: \varnothing 35-40 mm

P/N 2101301.00 SIGNAL KEEPER 27

GPA 27-45

SIGNAL KEEPER 27





SY 27-3 & SY 27-4

FEATURES

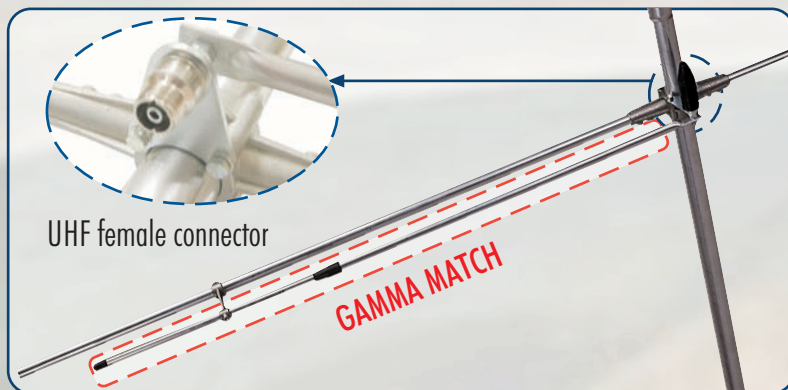
- # CB Base station antennas
- # Directional, High-gain
- # Horizontal polarization
- # Factory tuned at mid-band
- # High power handling capability
- # Elements equipped with waterproof jointing sleeve
- # Made of aluminium alloy 6063 T-832

TECHNICAL DATA

Type:	
SY 27-3	3 elements Yagi Antenna
SY 27-4	4 elements Yagi Antenna
Impedance:	50 Ω unbalanced
Frequency range:	26-28 MHz
Radiation:	Directional
Polarization:	Horizontal
S.W.R. at res. freq.:	$\leq 1.2:1$
Max. power:	1000 Watts (CW) continuous
.....	3000 Watts (CW) short time
Bandwidth at S.W.R. 2:1	
SY 27-3	1800 kHz
SY 27-4	600 kHz
Gain:	
SY 27-3	8.5 dBd, 10.65 dBi
SY 27-4	11dBd, 13.15 dBi
Dimensions (approx.):	
SY 27-3	5740 x 2710 x 100 mm
SY 27-4	5740 x 4030 x 100 mm
Wind resistance:	120 km/h
Boom length/diameter (approx.):	
SY 27-3	2710 mm / 33 mm
SY 27-4	4030 mm / 33 mm
Max. element length (approx.)	5740 mm
Turning radius (approx.):	
SY 27-3	3350 mm
SY 27-4	3600 mm
Element diameter:	\emptyset 16-12-8 mm
Weight (approx.):	
SY 27-3	4700 gr
SY 27-4	6100 gr
Connector:	UHF-female
Mounting mast:	\emptyset 35-50 mm

P/N 2105101.00 SY 27-3

P/N 2105201.00 SY 27-4





SD 27 Dipole

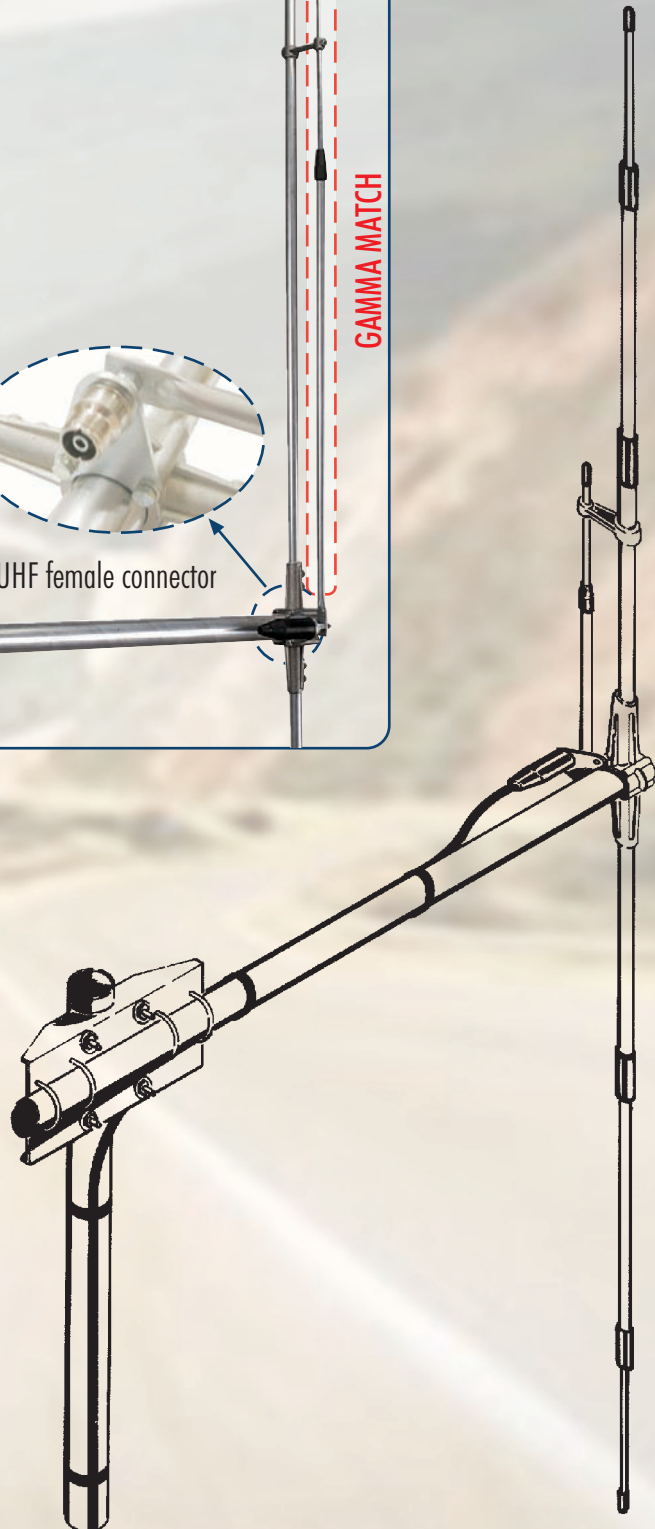
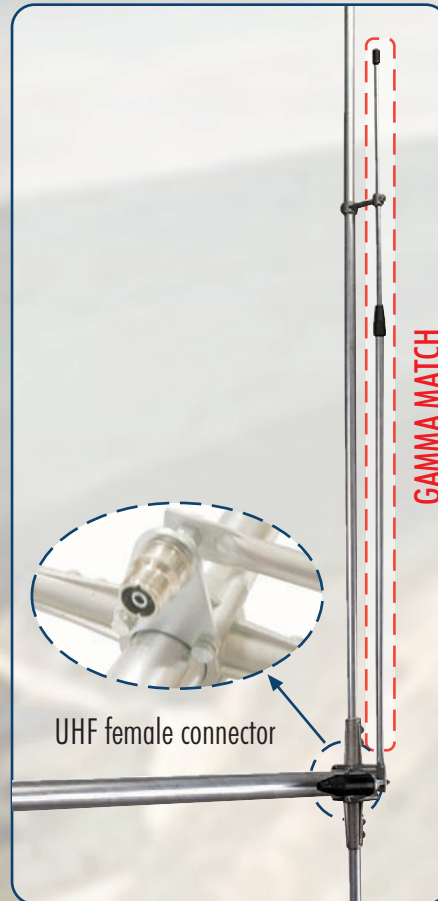
FEATURES

- # CB Base station antenna, Unity-gain
- # Vertical or horizontal polarization
- # Factory tuned at mid-band
- # High power handling capability
- # Whip equipped with waterproof jointing sleeve
- # Made of aluminium alloy 6063 T-832

TECHNICAL DATA

Type:	Dipole
Impedance:	50 Ω unbalanced
Frequency range:	26-28 MHz
Radiation:	
Horizontal mounting	Directional
Vertical mounting	Omnidirectional
Polarization:	Horizontal
S.W.R. at res. freq.:	$\leq 1.1:1$
Max. power:	1000 Watts (CW) continuous
.....	3000 Watts (CW) short time
Bandwidth at S.W.R. 2:1:	3750 kHz
Gain:	0 dBd, 2.15 dBi
Wind resistance:	130 km/h
Turning radius (approx.):	3050 mm
Element diameter:	\varnothing 16-12-8 mm
Length (approx.):	5420 mm
Weight (approx.):	2560 gr
Connector:	UHF-female
Mounting mast:	\varnothing 35-50 mm

P/N 2105301.00





TURBO series

FEATURES

- # CB & 10m Mobile antennas
- # Tunable from 27 to 28.5 MHz
- # TURBO 800 S: 17/7 PH stainless steel spring whip
- # TURBO 1000, 2000, 3000: 17/7 PH tapered stainless steel whip
- # 90° adjustable whip no tools required detachable for car-wash
- # Protection from static discharges DC-Ground
- # Suitable for magnetic mount installation

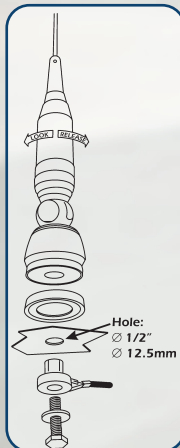
TECHNICAL DATA

Type:	base loaded
Impedance:	50 Ω unbalanced
Frequency range:	27-28.5 MHz
Polarization:	vertical
S.W.R. at res. freq.:	≤ 1.2:1
Max. power:	200 Watts (CW) continuous
	1000 Watts (CW) short time
Bandwidth at S.W.R. 2:1:	
TURBO 800 S	430 kHz
TURBO 1000	660 kHz
TURBO 2000	1100 kHz
TURBO 3000	1600 kHz
Mounting:	
TURBO series	hole Ø 12.5 mm
TURBO PL series	UHF-male (PL 259)
Cable length / Type:	
TURBO series	4 m / RG 58
TURBO PL series	not supplied
Height (approx.):	
TURBO 800 S / 800 S PL	840 mm
TURBO 1000 / 1000 PL	1150 mm
TURBO 2000 / 2000 PL	1450 mm
TURBO 3000 / 3000 PL	1710 mm
Weight (approx.):	
TURBO 800/3000:	580 gr
TURBO 10000/2000:	530 gr

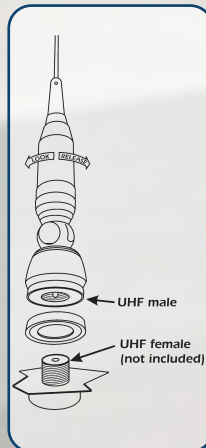
P/N 2201906.42	TURBO 800 S
P/N 2202006.41	TURBO 1000
P/N 2202106.40	TURBO 2000
P/N 2202405.46	TURBO 3000

P/N 2201906.45	TURBO 800 S PL
P/N 2202006.44	TURBO 1000 PL
P/N 2202106.43	TURBO 2000 PL
P/N 2202405.47	TURBO 3000 PL

INSTALLATION ALTERNATIVES



HOLE INSTALLATION



UHF-PL INSTALLATION



INCLINATION SYSTEM



AVAILABLE MAGNETIC MOUNT TYPES

MAG 125 PL	2502602.05
MAG 145 PL	2502702.05
MAG 160 PL	2502802.05



TURBO 800S

TURBO 2000



PERFORMER series

FEATURES

- # CB & 10m Mobile antenna
- # Tunable from 27 to 28.5 MHz
- # 17/7 PH tapered stainless steel whip
- # 180° adjustable whip, detachable for car-wash
- # Protection from static discharges DC-Ground
- # Suitable for magnetic mount installation

TECHNICAL DATA

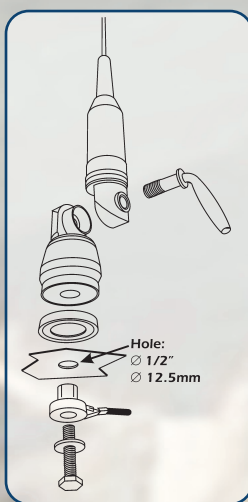
Type: base loaded
 Impedance: 50 Ω unbalanced
 Frequency range: 27-28.5 MHz
 Polarization: vertical
 S.W.R. at res. freq.: ≤ 1.2:1
 Max. power: 200 Watts (CW) continuous
 1000 Watts (CW) short time
 Bandwidth at S.W.R. 2:1:
 PERFORMER P-600 680 kHz
 PERFORMER P-800 1400 kHz
 PERFORMER P-1000 2000 kHz
 Mounting:
 PERFORMER series hole Ø 12.5 mm
 PERFORMER PL series UHF-male (PL 259)
 Cable length / Type:
 PERFORMER series 4 m / RG 58
 PERFORMER PL series not supplied
 Height (approx.):
 PERFORMER P-600 1250 mm
 PERFORMER P-800 1650 mm
 PERFORMER P-1000 1950 mm
 Weight (approx.): 600 gr

P/N 2218005.50 PERFORMER P-600
 P/N 2218105.50 PERFORMER P-800
 P/N 2218205.50 PERFORMER P-1000

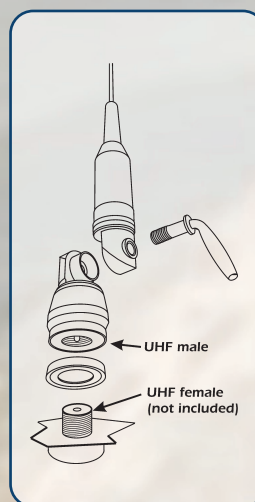
P/N 2218005.51 PERFORMER P-600 PL
 P/N 2218105.51 PERFORMER P-800 PL
 P/N 2218205.51 PERFORMER P-1000 PL

NEW PRODUCTS

INSTALLATION ALTERNATIVES



HOLE INSTALLATION



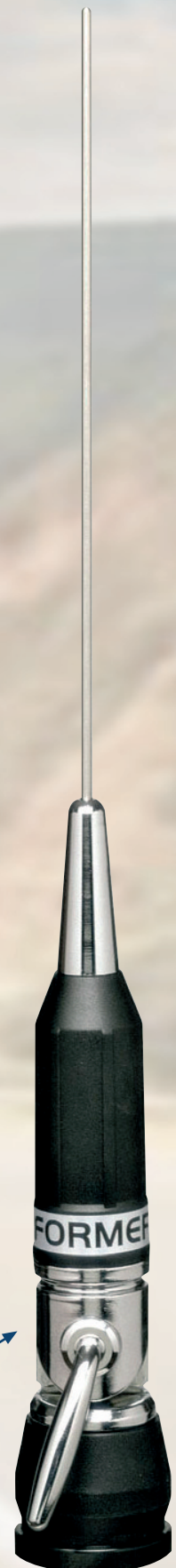
UHF-PL INSTALLATION



AVAILABLE MAGNETIC MOUNT TYPES

MAG 125 PL 2502602.05
 MAG 145 PL 2502702.05
 MAG 160 PL 2502802.05

STRONG DIE-CAST JOINT
 LOCKING HANDLE
 for 180° Tilting





TURBO-5000

PERFORMER-5000

FEATURES

- # CB & 10 m Mobile antennas
- # Very High power handling capability
- # Tunable from 27 to 28.5 MHz
- # Protection from static discharges DC-Ground
- # 17/7 PH tapered stainless steel whip
- # Whip detachable for car-wash
- # Suitable for magnetic mount installation

TECHNICAL DATA

Type: base loaded
 Impedance: 50 Ω unbalanced
 Frequency range: 27-28.5 MHz
 Polarization: vertical
 S.W.R. at res. freq.: ≤ 1.2:1
 Max. power: 1500 Watts (CW) continuous
 5000 Watts (CW) short time
 Bandwidth at S.W.R. 2:1: 2300 kHz
 Mounting:
 TURBO-5000, PERFORMER-5000 hole Ø 12.5 mm
 TURBO-5000 PL, PERFORMER-5000 PL UHF-male (PL 259)
 Cable length / Type: PL version not supplied
 Standard: for power up to 600 Watts max 4m / RG 58
 Hi power: for power up to 2000 Watts max ... 4m / RG 303 teflon
 Height (approx.): 1965 mm
 Weight (approx.): 650 gr

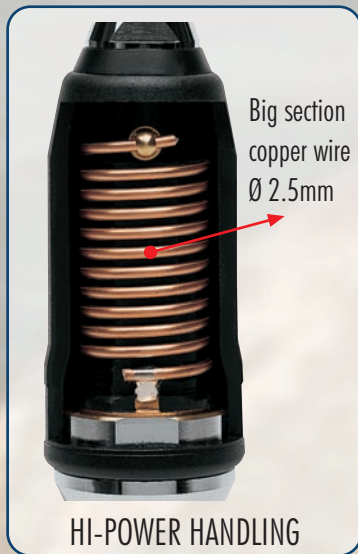
P/N 2218505.50	PERFORMER-5000
P/N 2218505.50/PW	PERFORMER-5000 hi power cable
P/N 2218505.51	PERFORMER-5000 PL
P/N 2202205.50	TURBO-5000
P/N 2202205.50/PW	TURBO-5000 hi power cable
P/N 2202205.43	TURBO-5000 PL



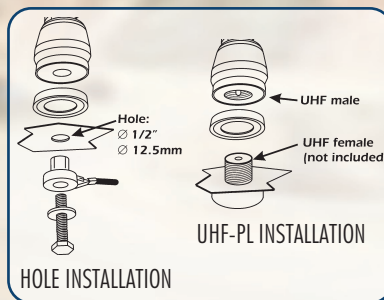
AVAILABLE MAGNETIC MOUNT TYPES
 (for power up to 600 Watts max.)
 MAG 145 PL 2502702.05
 MAG 160 PL 2502802.05

NEW PRODUCTS

COIL SECTION VIEW



INSTALLATION ALTERNATIVES



TURBO-5000

INCLINATION SYSTEM
 for 90° Tilting
 NO Tools required

LOCKING HANDLE
 STRONG DIE-CAST JOINT
 for 180° Tilting



PERFORMER-5000



FEATURES

- # CB & 10 m Mobile antennas
- # High power handling capability
- # Tunable from 27 to 28.5 MHz
- # Protection from static discharges
DC-Ground
- # 17/7 PH tapered stainless steel whip
- # Supplied with special screw and safety key
- # 180° adjustable whip
- # Detachable for car-wash
- # Suitable for magnetic mount installation

TECHNICAL DATA

Type: base loaded
 Impedance: 50 Ω unbalanced
 Frequency range: 27-28.5 MHz
 Polarization: vertical
 S.W.R. at res. freq.: ≤ 1.2:1
 Max. power:
 Hi-Power3000/Megawatt3000 400 Watts (CW) continuous
 1200 Watts (CW) short time
 Hi-Power4000/Megawatt4000 600 Watts (CW) continuous
 1800 Watts (CW) short time
 Bandwidth at S.W.R. 2:1:
 Hi-Power 3000 / Megawatt 3000 1890 kHz
 Hi-Power 4000 / Megawatt 4000 2580 kHz
 Mounting:
 Hi-Power / Megawatt PL series: UHF-male (PL 259)
 Hi-Power / Megawatt N series: N-PL AS mount, hole 12.5mm
 Height (approx.):
 Hi-Power 3000 / Megawatt 3000 1740 mm
 Hi-Power 4000 / Megawatt 4000 2030 mm
 Weight (approx): 480gr

P/N 2202305.05 HI-POWER 3000 PL
 P/N 2202505.05 HI-POWER 4000 PL
 P/N 2202305.23 HI-POWER 3000 N
 P/N 2202505.23 HI-POWER 4000 N

P/N 2211505.05 MEGAWATT 3000 PL
 P/N 2211605.05 MEGAWATT 4000 PL
 P/N 2211505.23 MEGAWATT 3000 N
 P/N 2211605.23 MEGAWATT 4000 N

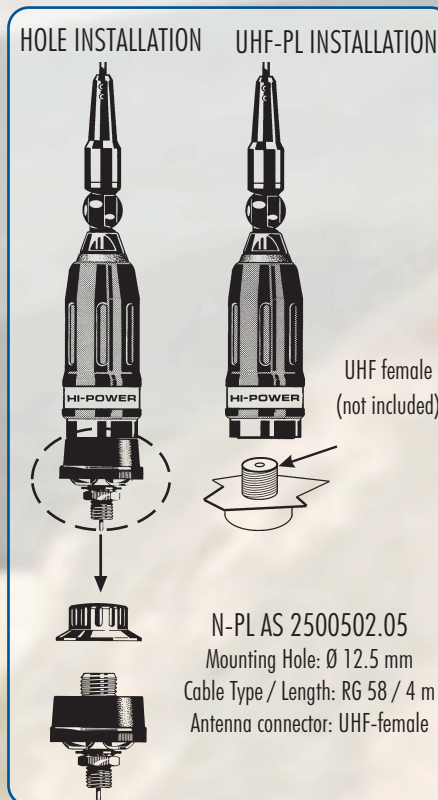


AVAILABLE MOUNT TYPE
 cable w/angular connector
 p/n 25006105.00

AVAILABLE MAGNETIC MOUNT TYPES
 MAG 145 PL 2502702.05
 MAG 160 PL 2502802.05

HI-POWER MEGAWATT

INSTALLATION ALTERNATIVES
 for HI-POWER / MEGAWATT



Tuning System



HI-POWER 3000 / 4000 PL



MEGAWATT 3000 / 4000 PL



MYTHOS 9000 / 900S

FEATURES

- # CB & 10m Mobile antennas
- # Tunable from 27 to 28.5 MHz
- # MYTHOS 9000: 17/7 PH tapered stainless steel whip
- # MYTHOS 900 S: 17/7 PH stainless steel spring whip
- # 180° adjustable whip
- # Detachable for car-wash
- # Wide range of optional mounting bases available
- # Suitable for magnetic mount

TECHNICAL DATA

Type:	base loaded
Impedance:	50 Ω unbalanced
Frequency range:	27-28.5 MHz
Polarization:	vertical
S.W.R. at res. freq.:	≤ 1.2:1
Max. Power.:	
Mythos 900S	15 Watts (CW) continuous
	150 Watts (CW) short time
Mythos 9000	35 Watts (CW) continuous
	250 Watts (CW) short time
Bandwidth at S.W.R. 2:1:	
Mythos 900S	1170 kHz
Mythos 9000	1980 kHz
Cable:	4m RG 58
Height (approx.):	
Mythos 900S	640 mm
Mythos 9000	1410 mm
Weight (approx.):	
Mythos 900S	760 gr
Mythos 9000	460 gr
Standard mount:	"N"
Mounting hole:	Ø 12.5 mm

P/N 2206206.02 MYTHOS 9000
P/N 2206106.02 MYTHOS 900 S



AVAILABLE MAGNETIC MOUNT TYPES
MAG 125 S Black 2502602.02
MAG 145 S Black 2502702.02
MAG 160 S Black 2502802.02

ALTERNATIVE MOUNTS



NE mount black
Mounting hole: Ø 10mm
Overall size: Ø 36mm
2500202.03



NP mount black
Mounting hole: Ø 12.5mm
Overall size: Ø 36mm
2500302.02



N 3/8 mount
Mounting hole: Ø 12.5mm
Overall size: Ø 41mm
2500102.03

STANDARD MOUNT



N mount black
Mounting hole: Ø 12.5mm
Overall size: Ø 41mm
2500102.02



MYTHOS 9000



MYTHOS 900 S



OMEGA 27

CB 27 U Black

FEATURES

- # CB & 10m Mobile antennas
- # Tunable from 27 to 28.5 MHz
- # 17/7 PH tapered stainless steel whip
- # 180° adjustable whip
- # Detachable for car-wash
- # Suitable for magnetic mount installation

TECHNICAL DATA

Type:	base loaded
Impedance:	50 Ω unbalanced
Frequency range:	27-28.5 MHz
Polarization:	vertical
S.W.R. at res. freq.:	≤ 1.2:1
Max. Power:	15 Watts (CW) continuous
	150 Watts (CW) short time
Bandwidth at S.W.R. 2:1:	
OMEGA 27	1440 kHz
CB 27 U	1100 kHz
Cable:	4m RG 58
Height (approx.):	
OMEGA 27	945 mm
CB 27 U	690 mm
Weight (approx.):	
OMEGA 27	385 gr
CB 27 U	450 gr
Standard mount:	"N"
Mounting hole:	Ø 12.5 mm

- P/N 2206306.02 OMEGA 27
 P/N 2206306.64 OMEGA 27 MAG
 P/N 2200606.02 CB 27 U Black



AVAILABLE MAGNETIC MOUNT TYPES
 MAG H 12 S black 2502502.02
 MAG 125 S black 2502602.02



OMEGA 27

ALTERNATIVE MOUNTS



NE mount black
 Mounting hole: Ø 10mm
 Overall size: Ø 36mm
 2500202.02



NP mount black
 Mounting hole: Ø 12.5mm
 Overall size: Ø 36mm
 2500302.02

STANDARD MOUNT



N mount black
 Mounting hole: Ø 12.5mm
 Overall size: Ø 41mm
 2500102.02



CB 27 U Black



CB 27 AF CB 27 Special

FEATURES

- # CB & 10m Mobile antennas
- # Tunable from 27 to 28.5 MHz
- # Supplied with stainless steel spring
- # 180° adjustable whip
- # Detachable for car-wash
- # Suitable for magnetic mount

TECHNICAL DATA

Type:	
CB 27 AF	top loaded
CB 27 Special	helical winding
Impedance:	50 Ω unbalanced
Frequency range:	
CB 27 AF	26.5-29.5 MHz
CB 27 Special	27-28.5 MHz
Polarization:	vertical
S.W.R. at res. freq.:	≤ 1.2:1
Max. Power:	
CB 27 AF	50 Watts (CW) continuous
.....	150 Watts (CW) short time
CB 27 Special	300 Watts (CW) continuous
.....	900 Watts (CW) short time
Bandwidth at S.W.R. 2:1:	
CB 27 AF	700 kHz
CB 27 Special	2870 kHz
Cable:	4m RG 58
Height (approx.):	
CB 27 AF	1215 mm
CB 27 Special	1810 mm
Weight (approx.):	430 gr
Standard mount:	"N"
Mounting hole:	Ø 12.5 mm

P/N 2200405.01 CB 27 AF
P/N 2200724.01 CB 27 Special



AVAILABLE MAGNETIC MOUNT TYPES
MAG 125 S Chrome 2502602.01
MAG 145 S Chrome 2502702.01

Fine Tuning Top Whip



ALTERNATIVE MOUNTS

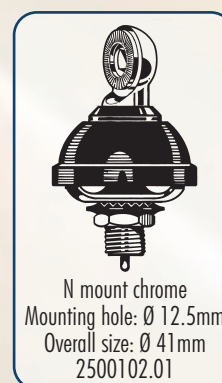


ALTERNATIVE MOUNT



FIBERGLASS TAPERED
ROD WITH INSIDE
HELICAL WINDING

STANDARD MOUNT



CB 27 AF



CB 27 Special



AS series

FEATURES

- # CB & 10m Mobile antennas
- # Tunable from 27 to 28.5 MHz
- # Protection from static discharges
DC-Ground
- # 17/7 PH tapered stainless steel whip
- # Suitable for magnetic installation

TECHNICAL DATA

Type: base loaded
 Impedance: 50 Ω unbalanced
 Frequency range: 27-28.5 MHz
 Polarization: vertical
 S.W.R. at res. freq.: ≤ 1.2:1
 Max. power:
 AS 100: 100 Watts (CW) continuous, 300 Watts (CW) short time
 AS 145: 150 Watts (CW) continuous, 450 Watts (CW) short time
 AS 170: 200 Watts (CW) continuous, 600 Watts (CW) short time
 Bandwidth at S.W.R. 2:1:
 AS 100 580kHz
 AS 145 1240 kHz
 AS 170 1940 kHz
 Mounting:
 AS PL series: UHF-male (PL 259)
 AS N series: N-PL AS mount, hole Ø 12.5mm
 Height (approx.):
 AS 100 1020 mm
 AS 145 1400 mm
 AS 170 1670 mm
 Weight (approx.)
 AS 100/145 180/200 gr
 AS 170 240 gr

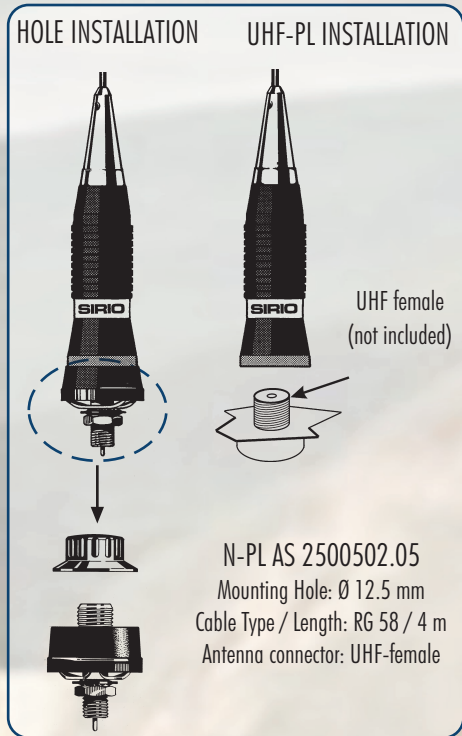
P/N 2209005.05 AS 100 PL
 P/N 2201405.05 AS 145 PL
 P/N 2201605.05 AS 170 PL

P/N 2209005.23 AS 100 N
 P/N 2201405.23 AS 145 N
 P/N 2201605.23 AS 170 N



AVAILABLE MAGNETIC MOUNT TYPES
 MAG 125 PL 2502602.05
 MAG 145 PL 2502702.05
 MAG 160 PL 2502802.05

INSTALLATION ALTERNATIVES



AS series N



AS series PL



FEATURES

- # CB & 10m Mobile antennas
- # Tunable from 27 to 28.5 MHz
- # 17/7 PH tapered stainless steel whip
- # 90° tiltable whip
- # Detachable for car-wash
- # Wide range of optional mounting bases available
- # Suitable for magnetic mount installation

TECHNICAL DATA

Type: central loaded
 Impedance: 50 Ω unbalanced
 Frequency range: 27-28.5 MHz
 Polarization: vertical
 S.W.R. at res. freq.: ≤ 1.2:1
 Max. power:
 SG-CB 1000 60 Watts (CW) continuous
 180 Watts (CW) short time
 SG-CB 1400 120 Watts (CW) continuous
 360 Watts (CW) short time
 Bandwidth at S.W.R. 2:1:
 SG-CB 1000 550 kHz
 SG-CB 1400 1100 kHz
 Height (approx.):
 SG-CB 1000 1000 mm
 SG-CB 1400 1400 mm
 Weight (approx.): 320 gr
 Standard connector: UHF PL-259

P/N 2211305.05 SG-CB 1000
 P/N 2211405.05 SG-CB 1400

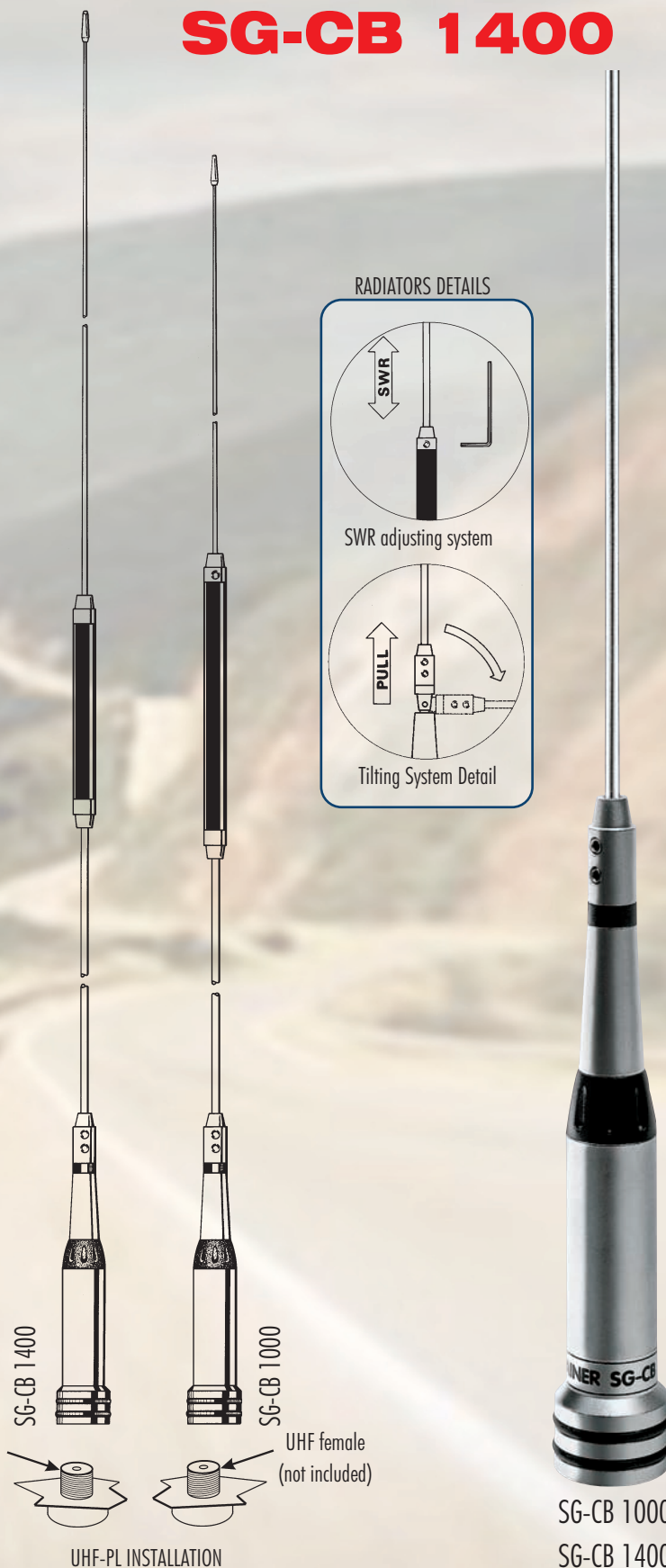


AVAILABLE MAGNETIC MOUNT TYPES
 MAG 125 PL 2502602.05



AVAILABLE MOUNT TYPE
 SG-AC/U 2513005.00
 Overall Size: Ø 41 mm
 Mounting Hole: Ø 16 mm
 Cable: 4 m RG 58 / UHF-male (PL259)
 Connector: UHF-female

SG-CB 1000
SG-CB 1400





CELLULAR 33 S MICRO 30 S

FEATURES

- # CB Mobile antennas
- # Factory tuned at mid-band
- # MICRO: Tunable by acting on the whip length. 17/7 PH stainless steel spring whip
- # CELLULAR: Tunable by tuning sleeve. Flexible polycarbonate whip
- # MICRO 30 S, CELLULAR 33 S: 90° adjustable whip, detachable for car-wash
- # Suitable for magnetic mount

TECHNICAL DATA

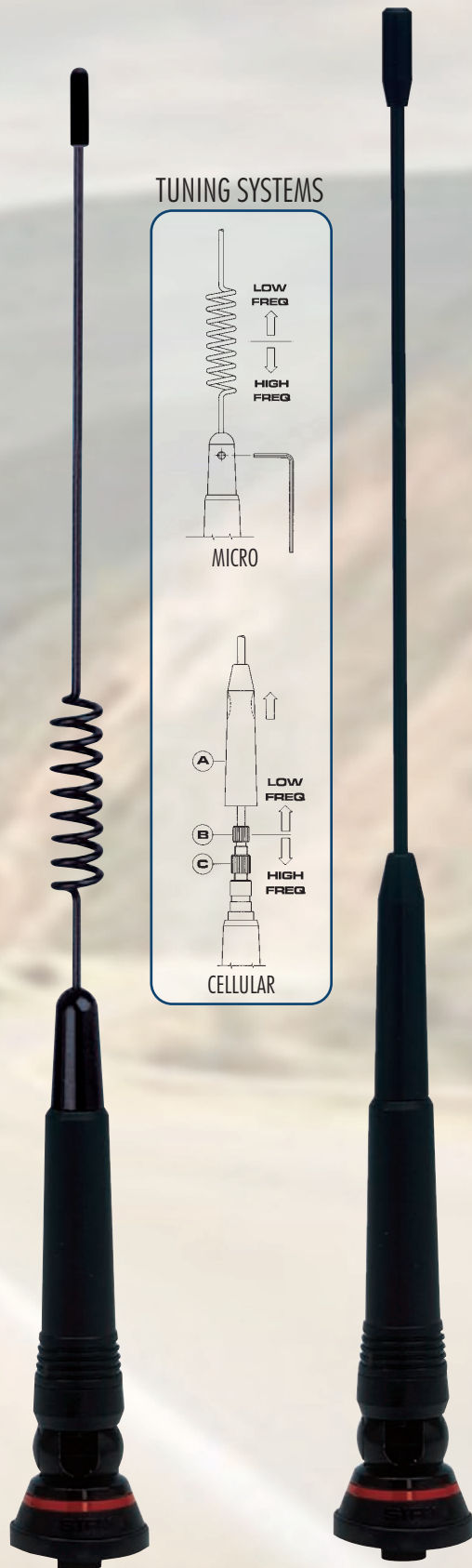
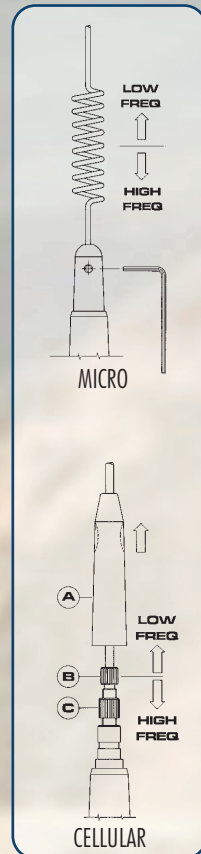
Type: base loaded
 Impedance: 50 Ω unbalanced
 Frequency range: 27-27.5 MHz
 Polarization: vertical
 S.W.R. at res. freq.: ≤ 1.4:1
 Max. power: 10 Watts (CW) continuous, 30 Watts (CW) short time
 Bandwidth at S.W.R. 2:1:
 Cellular 33 S 650 kHz
 Micro 30 S 600 kHz
 Cable:
 "CE-S" base 4m RG 58
 MAG version 4.5m RG 58
 Height (approx.): 310 mm
 Weight (approx.): 260 gr
 Standard mount:
 Micro 30, Cellular 33 "CE-S"
 Mounting hole: Ø 10 mm

P/N 2206428.38 CELLULAR 33 S
 P/N 2206428.73 CELLULAR 33 S-MAG
 P/N 2206506.38 MICRO 30 S
 P/N 2206506.73 MICRO 30 S-MAG

MAGNETIC VERSION AVAILABLE
 Cable Type / Length : RG 58 / 4.5m
 Cable connector: UHF-male (PL259)
 Rubber protection supplied
 Overall size: Ø 67mm



TUNING SYSTEMS



MICRO 30 S

CELLULAR 33 S



TAIFUN 27 SNAKE 27 / MINI SNAKE 27

TAIFUN 27

- # CB Mobile antenna
- # Tunable by rotation of tuning sleeve
- # Helical winding fiberglass whip
- # Rigid whip, detachable for car-wash

TECHNICAL DATA

Type: base and whip loaded
 Impedance: 50 Ω unbalanced
 Frequency range: 27-27.5 MHz
 Polarization: vertical
 S.W.R. at res. freq.: ≤ 1.2:1
 Max. power: 10 Watts (CW) continuous, 30 Watts (CW) short time
 Bandwidth at S.W.R. 2:1: 490 kHz
 Cable: 5.5m RG 58
 Height (approx.): 530 mm
 Weight (approx.): 340 gr
 Standard mount: Taifun mount
 Mounting hole: Ø 10 mm

P/N 2204715.00 TAIFUN 27

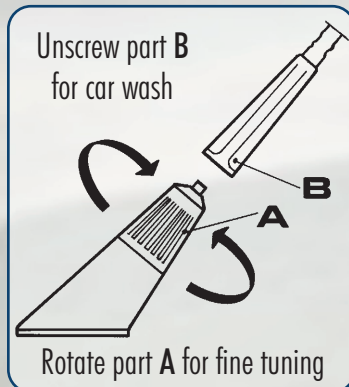
SNAKE 27, MINISNAKE 27

- # CB Mobile antenna
- # Tunable by acting on the metallic ring
- # 17/7 PH tapered stainless steel whip
- # 180° adjustable whip
- # Detachable for car-wash
- # Wide range of optional mounts
- # Suitable for magnetic mount

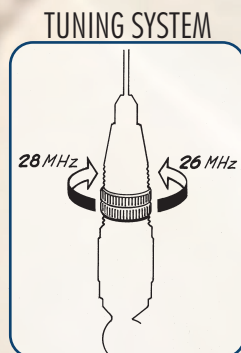
TECHNICAL DATA

Type: base loaded
 Impedance: 50 Ω unbalanced
 Frequency range: 26.8-27.8 MHz
 Polarization: vertical
 S.W.R. at res. freq.: ≤ 1.2:1
 Max. power: 10 Watts (CW) continuous, 40 Watts (CW) short time
 Bandwidth at S.W.R. 2:1:
 Snake 27: 1500 kHz
 Mini Snake 27: 940 kHz
 Cable: 4m RG 58
 Height (approx.):
 Snake 27: 1125 mm
 Mini Snake 27: 650 mm
 Weight (approx.): 340 gr
 Standard mount: "N"
 Mounting hole: Ø 12.5 mm

P/N 2204306.01 SNAKE 27
 P/N 2204406.01 MINI SNAKE 27
 P/N 2204406.61 MINI SNAKE MAG

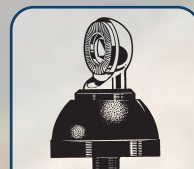


TAIFUN 27

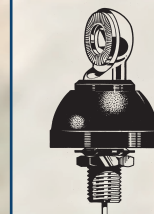


SNAKE 27

ALTERNATIVE MOUNTS

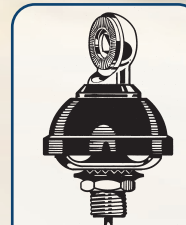


NE mount chrome
 Mounting hole: Ø 10mm
 Overall size: Ø 36mm
 2500202.01



NP mount chrome
 Mounting hole: Ø 12.5mm
 Overall size: Ø 36mm
 2500302.01

STANDARD MOUNT



N mount chrome
 Mounting hole: Ø 12.5mm
 Overall size: Ø 41mm
 2500102.01



MINI SNAKE MAG



DELTA 27-95 & 120

DELTA 27 M-95 & 120

FEATURES

- # CB Mobile antennas
- # Factory tuned at mid-band
- # DELTA 27 M-95 / M-120: Supplied with stainless steel spring
- # Helical winding fiberglass whip
- # 180° adjustable whip
- # Detachable for car-wash
- # Wide range of optional mounting bases available
- # Suitable for magnetic mount installation

TECHNICAL DATA

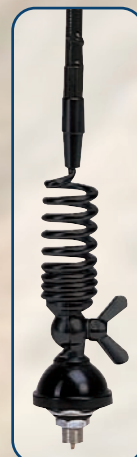
Type: helical loaded
 Impedance: 50 Ω unbalanced
 Center frequency : 27.185 MHz
 Polarization: vertical
 S.W.R. at res. freq.: ≤ 1.3:1
 Max. power: 30 Watts (CW) continuous
 100 Watts (CW) short time
 Bandwidth at S.W.R. 2:1:
 Delta 27-95/M95 1450 kHz
 Delta 27-120/M120 2000 kHz
 Cable: 4m RG 58
 Height (approx.):
 Delta 27-95 970 mm
 Delta 27 M-95 950 mm
 Delta 27-120 1220 mm
 Delta 27 M-120 1200 mm
 Weight (approx.):
 Delta 27 95/120 380 gr
 Delta 27 M 95/M120 510 gr
 Standard mount: "N"
 Mounting hole: Ø 12.5 mm

P/N 2203315.01 DELTA 27-95
 P/N 2203415.01 DELTA 27 M-95
 P/N 2203515.01 DELTA 27-120
 P/N 2203615.01 DELTA 27 M-120



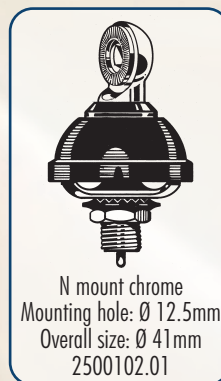
AVAILABLE MAGNETIC MOUNT TYPES
 MAG 125 S Chrome 2502602.01
 MAG 145 S Chrome 2502702.01

ALTERNATIVE MOUNTS



DELTA 27 M BLACK

STANDARD MOUNT



DELTA 27-95 & 120



DELTA 27 M-95 & 120



TITANIUM series

FEATURES

- # CB & 10m Mobile antenna
- # Tunable from 27 to 28.5 MHz
- # 17/7 PH tapered stainless steel whip
- # Available in several radiators' length
- # 180° Adjustable whip
- # Detachable for car-wash
- # Suitable for magnetic mount installation

TECHNICAL DATA

Type: base loaded
 Impedance: 50 Ω unbalanced
 Frequency range: 27-28.5 MHz
 Polarization: vertical
 S.W.R. at res. freq.: ≤ 1.2:1
 Max. power:
 TITANIUM 1900 chrome 40 Watt(CW) continuous
 300 Watts (CW) short time
 TITANIUM 1400 black 35 Watt(CW) continuous
 250 Watts (CW) short time
 TITANIUM 1200 chrome 20 Watt(CW) continuous
 100 Watts (CW) short time
 Bandwidth at S.W.R. 2:1:
 TITANIUM 1900 chrome 2600 kHz
 TITANIUM 1400 black 1900 kHz
 TITANIUM 1200 chrome 1600 kHz
 Cable: 4m RG 58
 Height (approx.):
 TITANIUM 1900 chrome 1920 kHz
 TITANIUM 1400 black 1365 kHz
 TITANIUM 1200 chrome 1210 mm
 Weight (approx.): 410 gr
 Standard mount: "N"
 Mounting hole: Ø 12.5 mm

P/N 2204505.01/L TITANIUM 1900 chrome
 P/N 2204506.02 TITANIUM 1400 black
 P/N 2204505.01/S TITANIUM 1200 chrome



AVAILABLE MAGNETIC MOUNT TYPES
 MAG 125 S Black 2502602.02
 MAG 125 S Chrome 2502602.01



TITANIUM 1400 black

ALTERNATIVE MOUNTS



NE mount black or chrome
 Mounting hole: Ø 10mm
 Overall size: Ø 36mm
 Chrome 2500202.01
 Black 2500202.02



NP mount black or chrome
 Mounting hole: Ø 12.5mm
 Overall size: Ø 36mm
 Chrome 2500302.01
 Black 2500302.02

STANDARD MOUNT



N mount chrome / black
 Mounting hole: Ø 12.5mm
 Overall size: Ø 41mm
 Chrome 2500102.01
 Black 2500102.02



TITANIUM 1900 chrome
 TITANIUM 1200 chrome



CB 27 SUPER 9

CB 27 S

- # CB & 10m Mobile antennas
- # Tunable from 26 to 28.5 MHz
- # Helical winding fiberglass whip
- # 180° Adjustable whip
- # Detachable for car-wash
- # Suitable for magnetic mount installation

TECHNICAL DATA

Type: top loaded
 Impedance: 50 Ω unbalanced
 Frequency range: 26-28.5 MHz
 Polarization: vertical
 S.W.R. at res. freq.: ≤ 1.2:1
 Max. power: 50 Watt (CW) continuous
 150 Watts (CW) short time
 Bandwidth at S.W.R. 2:1: 850 kHz
 Cable: 4m RG 58
 Height (approx.): 1315 mm
 Weight (approx.): 340 gr
 Standard mount: "N"
 Mounting hole: Ø 12.5 mm

P/N 2200115.01 CB 27 S
 P/N 2200116.01 CB 27 S 3/8
 P/N 2200116.03 CB 27 S 3/8 RIGID

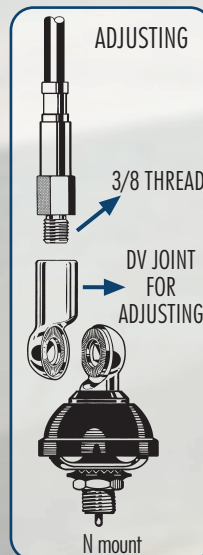
SUPER 9

- # CB & 10m Mobile antennas
- # Tunable from 27 to 28.5 MHz
- # 17/7 PH tapered stainless steel whip
- # 180° Adjustable whip
- # Detachable for car-wash
- # Suitable for magnetic mount installation

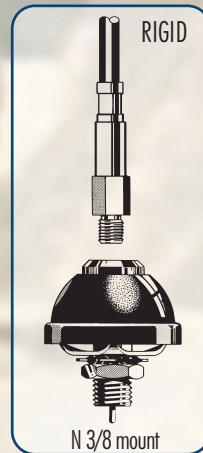
TECHNICAL DATA

Type: base loaded
 Impedance: 50 Ω unbalanced
 Frequency range: 27-28.5 MHz
 Polarization: vertical
 S.W.R. at res. freq.: ≤ 1.2:1
 Max. power: 30 Watt (CW) continuous
 150 Watts (CW) short time
 Bandwidth at S.W.R. 2:1: 1900 kHz
 Cable: 4m RG 58
 Height (approx.): 1415 mm
 Weight (approx.): 410 gr
 Standard mount: "N"
 Mounting hole: Ø 12.5 mm

P/N 2230006.02 SUPER 9



CB 27 S 3/8



CB 27 S 3/8 RIGID

ALTERNATIVE MOUNTS for SUPER 9



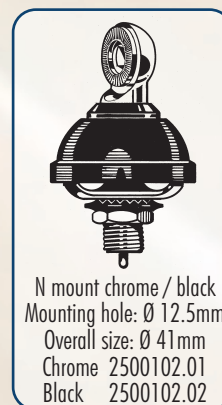
NE mount black
 Mounting hole: Ø 10mm
 Overall size: Ø 36mm
 2500202.02

NP mount black
 Mounting hole: Ø 12.5mm
 Overall size: Ø 36mm
 2500302.02



CB 27 S
 CB 27 3/8

STANDARD MOUNT



N mount chrome / black
 Mounting hole: Ø 12.5mm
 Overall size: Ø 41mm
 Chrome 2500102.01
 Black 2500102.02



SUPER 9

AVAILABLE MAGNETIC MOUNT TYPES
 MAG 125 S Black 2502602.02
 MAG 125 S Chrome 2502602.01



T series

FEATURES

- # CB Mobile antennas
- # Tunable by acting on the whip length
- # 180° adjustable whip
- # Detachable for car-wash

TECHNICAL DATA

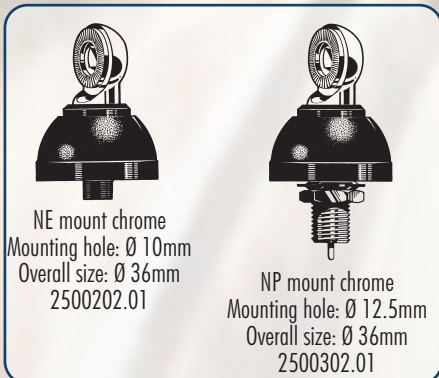
Type:
 T 27, T2 27 central loaded
 T3 27 logarithmic loaded
 Impedance: 50 Ω unbalanced
 Frequency range:
 T 27 26.5-28.5 MHz
 T2 27, T3 27 26.9-27.5 MHz
 Polarization: vertical
 S.W.R. at res. freq.: ≤ 1.2:1
 Max. power:
 T 27, T3 27: 20 Watt(CW) continuous, 100 Watts (CW) short time
 T2 27 10 Watt(CW) continuous, 50 Watts (CW) short time
 Bandwidth at S.W.R. 2:1:
 T 27, T2 27 440 kHz
 T3 27 700 kHz
 Cable: 4m RG 58
 Height (approx.):
 T 27, T2 27 550 mm
 T3 27 620 mm
 Weight (approx.): 400 gr
 Standard mount: "N"
 Mounting hole: Ø 12.5 mm

P/N 2201015.01 T 27
 P/N 2201115.01 T2 27
 P/N 2207015.01 T3 27

AVAILABLE MAGNETIC MOUNT TYPES
 MAG H 12 S Chrome 2502502.01
 MAG 125 S Chrome 2502602.01



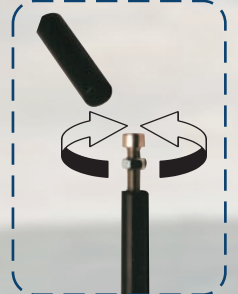
ALTERNATIVE MOUNTS



Fine Tuning Top Whip



Fine Tuning Top Screw

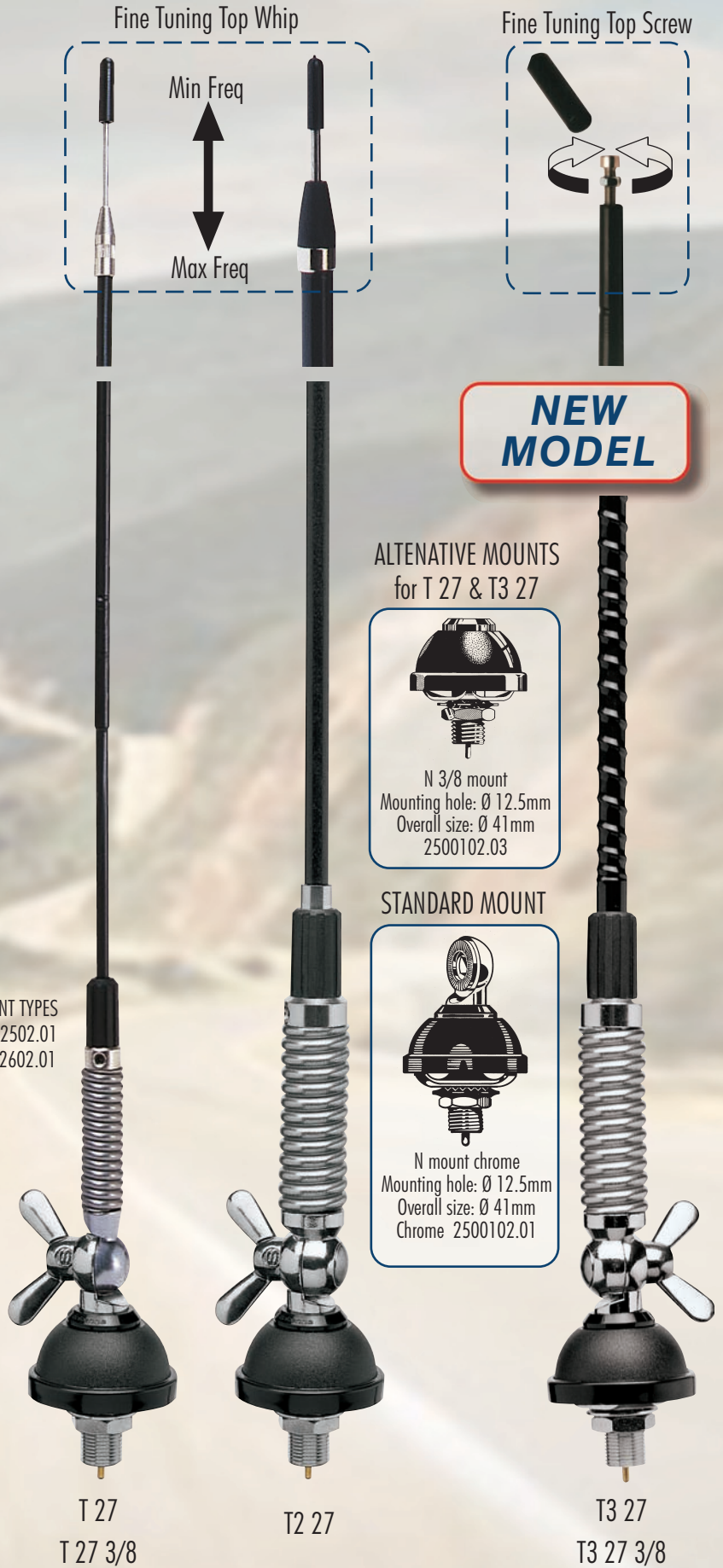
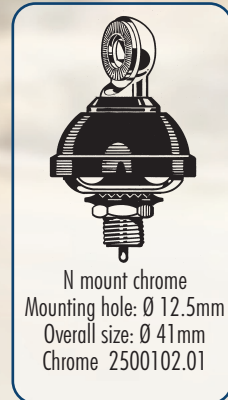


**NEW
MODEL**

ALTERNATIVE MOUNTS for T 27 & T3 27



STANDARD MOUNT





ML 145 MAG TITANIUM 3001 PL

FEATURES

- # CB & 10m Mobile antennas
- # Tunable from 27 to 28.5 MHz
- # Protection from static discharges
DC-Ground
- # 17/7 PH tapered stainless steel whip
- # ML 145 MAG: Supplied with black
chromed stainless steel spring
- # TITANIUM 3001: 90° adjustable
whip detachable for car-wash
installation
- # Suitable for magnetic mount
installation

TECHNICAL DATA

Type: base loaded
 Impedance: 50 Ω unbalanced
 Frequency range: 27-28.5 MHz
 Polarization: vertical
 S.W.R. at res. freq.: ≤ 1.3:1
 Max. power: 300 Watts (CW) continuous
 900 Watts (CW) short time
 Bandwidth at S.W.R. 2:1:
 ML 145 1340 kHz
 Titanium 3001 1820 kHz
 Height (approx.):
 ML 145 1420 mm
 Titanium 3001 1730 mm
 Weight (approx.): 310 gr
 Standard connector: UHF PL-259


P/N 2201805.63 ML 145 MAG
 P/N 2211805.05 TITANIUM 3001 PL
 P/N 2211805.23 TITANIUM 3001 N

AVAILABLE MAGNETIC MOUNTS
 MAG 125 PL 2502602.05
 MAG 145 PL 2502702.05
 MAG 160 PL 2502802.05




ML 145 MAG


INSTALLATION ALTERNATIVES



ML 145

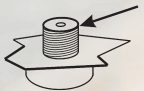
HOLE INSTALLATION





TITANIUM

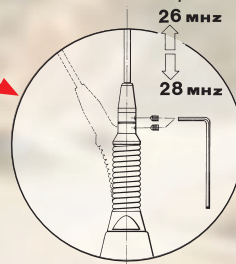
UHF-PL INSTALLATION



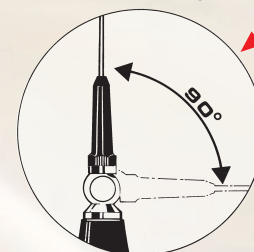
UHF female
(not included)

N-PL AS 2500502.05
 Mounting Hole: Ø 12.5 mm
 Cable Type / Length: RG 58 / 4 m
 Antenna connector: UHF-female

STAINLESS STEEL SPRING for flexibility



STRONG SPHERIC JOINT for 90° Tilting



TITANIUM 3001 PL



GL 27 Ground less MINI MAG 27

GL 27 Ground Less

- # CB & 10m Mobile antenna
- # Particularly suitable for all vehicles with non-metallic body
- # Protection from static discharges DC-Ground
- # Black fiberglass tapered whip
- # Supplied with strong stainless steel spring for the best flexibility
- # 180° adjustable whip
- # Standardly supplied with mirror mount

TECHNICAL DATA

Type: base loaded
 Impedance: 50 Ω unbalanced
 Center Frequency: 27.185 MHz
 Radiation: omnidirectional
 Polarization: vertical
 S.W.R. at res. freq.: ≤ 1.2:1
 Max. power: 15Watts (CW) continuous, 50Watts (CW) short time
 Bandwidth at S.W.R. 2:1: 5500 kHz
 Height (approx.): 1140 mm
 Weight (approx.): 430 gr
 Cable Lenght / Type / Connector: 4 m / RG 58 / UHF PL-259

P/N 2211724.76 GL 27 Ground Less

MINI MAG 27

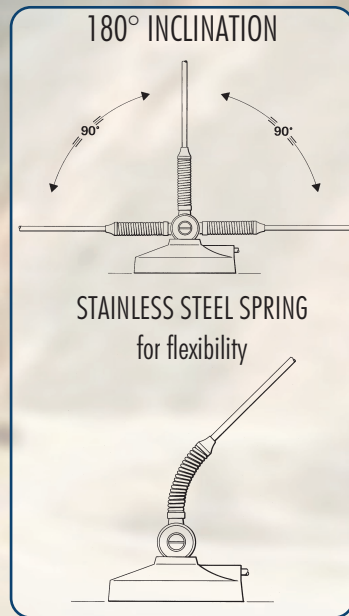
- # CB Magnetic mobile antenna
- # Factory tuned at mid-band
- # 180° adjustable whip
- # Supplied with strong stainless steel spring for the best flexibility

TECHNICAL DATA

Type: central loaded
 Impedance: 50 Ω unbalanced
 Frequency range: 27-27.5 MHz
 Polarization: vertical
 S.W.R. at res. freq.: ≤ 1.2:1
 Max. power: 10Watts (CW) continuous, 50Watts (CW) short time
 Bandwidth at S.W.R. 2:1: 280 kHz
 Cable Lenght / Type / Connector: 3 m / RG 58 / UHF PL-259
 Height (approx.): 630 mm
 Weight (approx.): 575 gr
 Standard mount: Magnetic
 Mag mount overall size: Ø 90 mm

P/N 2204905.74 MINI MAG 27

**NEW
MODEL**



MIRROR MOUNT
INSTALLATION



GL 27 Ground Less



MINI MAG 27



TRIFLEX 27 / FM / 900

FEATURES

- # CB Mobile antenna, Multi-band
- # Working on CB 27 MHz, AM-FM radio and GSM 900 MHz systems
- # CB frequency tunable by acting on the tuning cap
- # Flexible whip, detachable for car-wash

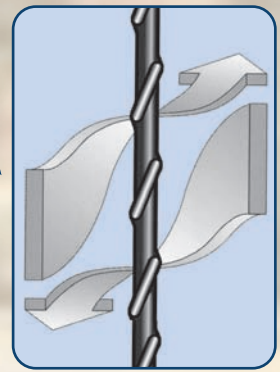
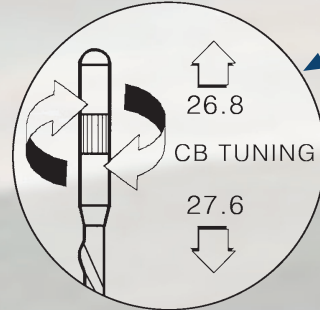
TECHNICAL DATA

Type: central loaded 27 MHz
 1/4 λ helical loaded FM
 1/4 λ 900 MHz
 Impedance: 150 Ω unbalanced FM
 50 Ω unbalanced 27 MHz/900 MHz
 Frequency range: 26.8-27.6 MHz
 AM-FM band (0.15-1.6 MHz, 88-108 MHz)
 GSM (TX 880-915 MHz, RX 925-960 MHz)
 Polarization: vertical
 S.W.R. at res. freq.: ≤ 1.2:1
 Max. power: 10 Watts at 27 MHz
 20 Watts at 900 MHz
 Bandwidth at S.W.R. 2:1: 440 kHz at 27 MHz
 100 MHz at 900 MHz
 Cable: 215 mm RG316/FME-male for 27MHz
 165 mm RG316/ M10x0.75-male for FM
 120 mm RG316/FME-male for 900MHz
 Height (approx.): 500 mm
 Weight (approx.): 120 gr
 Standard mount: Triflex
 Mounting hole: square 15 mm or Ø 18 mm

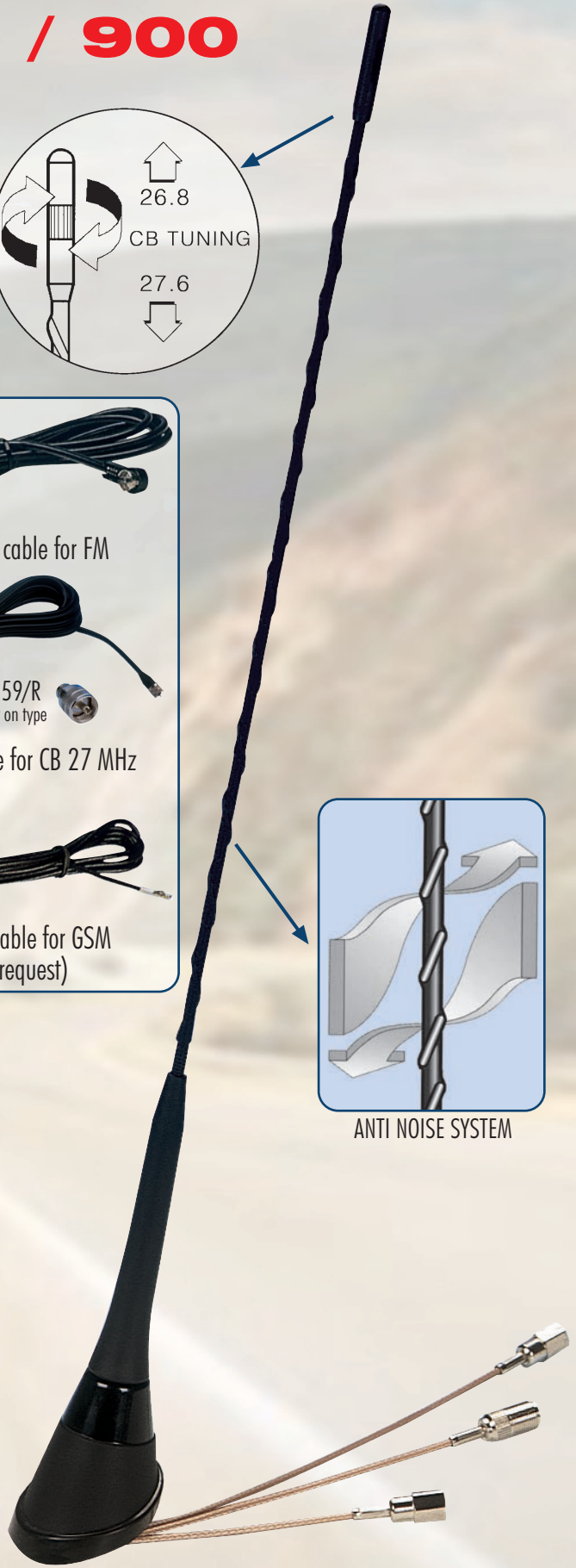
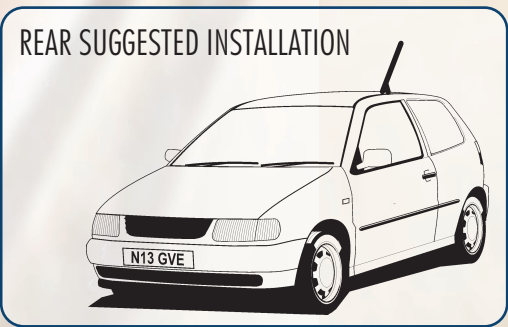
P/N 2216215.00 TRIFLEX no cables included
 P/N 2216215.99 TRIFLEX with FM cable (1)
 & CB cable (2)

Extension Cables Available

- 1) 2511805.00 5m Radio cable M10x0.75 /
Radio plug for FM
- 2) 2513305.00 5m RG58 Fme/PL259 for CB
- 3) 2510605.00 5m RG58 Fme/Fme for GSM
(only on request)



ANTI NOISE SYSTEM





MARINER 27 S2

MARINER 27 S3

FEATURES

- # CB & 10m Marine antennas
- # Designed to work without Ground Plane
- # Perfect protection against the worst weather conditions
- # Protection from static discharges DC-Ground
- # Stainless steel hardware
- # High quality white glass fibre whip
- # 180° adjustable whip

TECHNICAL DATA

Type:	
Mariner 27 S2	base loaded
Mariner 27 S3	central loaded
Impedance:	50 Ω unbalanced
Center Frequency:	27.185 MHz
Radiation:	omnidirectional
Polarization:	vertical
S.W.R. at res. freq.:	≤ 1.2:1
Max. power: 15Watts (CW) continuous, 50Watts (CW) short time	
Bandwidth at S.W.R. 2:1:	
Mariner 27 S2	5400 kHz
Mariner 27 S3	4900 kHz
Height (approx.):	
Mariner 27 S2	1415 mm
Mariner 27 S3	1975 mm
Weight (approx.):	
Mariner 27 S2	460 gr
Mariner 27 S3	550 gr
Connection:	UHF-female

P/N 2300220.81 MARINER 27 S2
P/N 2301320.81 MARINER 27 S3





TA 27

TA 27 INOX

FEATURES

- # CB & 10m Marine antennas
- # Designed to work without Ground Plane
- # Perfect protection against the worst weather conditions
- # Protection from static discharges DC-Ground
- # Provided with stainless steel bracket for an easy installation on the top of the mast
- # Stainless steel hardware
- # TA 27: Made of brass and copper components protected by high quality glass fibre tube
- # TA 27 INOX: 17/7 PH tapered stainless steel whip

TECHNICAL DATA

Type:	base loaded
Impedance:	50 Ω unbalanced
Center Frequency:	27.185 MHz
Radiation:	omnidirectional
Polarization:	vertical
S.W.R. at res. freq.:	$\leq 1.2:1$
Max. power: 15Watts (CW) continuous, 50Watts (CW) short time	
Bandwidth at S.W.R. 2:1:	5500kHz
Height (approx.):	
TA 27	1070 mm
TA 27 INOX	1050 mm
Weight (approx.):	
TA 27	385 gr
TA 27 INOX	345 gr
Connection:	UHF-female

P/N 2300120.80 TA 27

P/N 2300105.80 TA 27 INOX


 TA 27
 Robust fibreglass
 radiator

 TA 27
 UHF-female
 connector view
 Spare part: 2503101.00

 TA 27 INOX
 Flexible stainless steel
 radiator



CRUISER 2000 SB 27 M

FEATURES

- # CB & 10m Marine antennas
- # Designed to work without Ground Plane
- # Protection from static discharges DC-Ground
- # Perfect protection against the worst weather conditions
- # Supplied with white coaxial cable RG-58 C/U directly connected
- # 180° adjustable whip
- # Stainless steel hardware
- # CRUISER 2000: High quality conical glass fibre whip
- # SB 27 M: Conical glass fibre tube
- # Alternative mounting bases available

TECHNICAL DATA

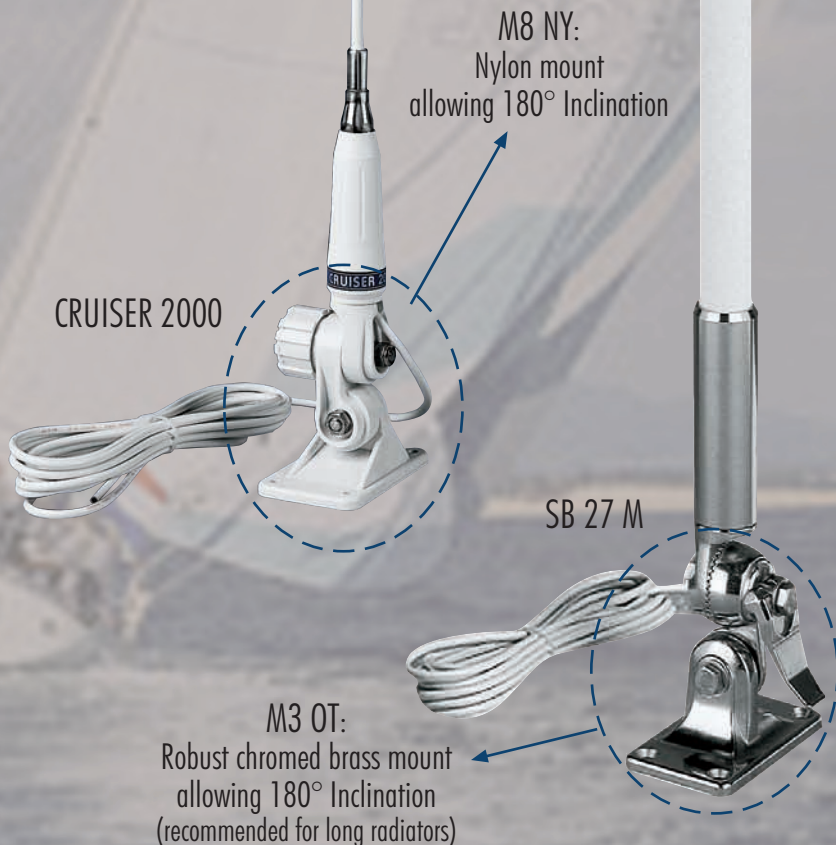
Type:	base loaded
Impedance:	50 Ω unbalanced
Center Frequency:	27.185 MHz
Radiation:	omnidirectional
Polarization:	vertical
S.W.R. at res. freq.:	≤ 1.2:1
Max. power: 15Watts (CW) continuous, 50Watts (CW) short time	
Bandwidth at S.W.R. 2:1:	5600 kHz
Cable:	
Cruiser2000	5m RG 58
SB 27 M	7m RG 58
Height (approx.):	
Cruiser2000	1505 mm
SB 27 M	2600 mm
Weight (approx.):	
Cruiser2000	720 gr
SB 27 M	860 gr
Standard mount:	
Cruiser2000	"M-8" NY
SB 27 M	"M-3" OT

P/N 2301220.83 CRUISER 2000

P/N 2301420.84 SB 27 M



ALTERNATIVE MOUNT
M-10 OT
Robust chromed brass mount
allowing 180° Inclination
2503406.00



CRUISER 2000

M8 NY:
Nylon mount
allowing 180° Inclination

SB 27 M

M3 OT:
Robust chromed brass mount
allowing 180° Inclination
(recommended for long radiators)



N mount

Overall Size: Ø 41 mm
Mounting Hole: Ø 12.5 mm
Materials: Chromed Brass, Nylon, Rubber

1. N Chrome	P/N 2500102.01
2. N Black	P/N 2500102.02
3. N 3/8	P/N 2500102.03



NE mount, LOW PROFILE

Overall Size: Ø 36 mm
Mounting Hole: Ø 10 mm
Materials: Chromed Brass, Nylon, Rubber

1. NE Chrome	P/N 2500202.01
2. NE Black	P/N 2500202.02
3. NE 3/8	P/N 2500202.03



NP mount

Overall Size: Ø 36 mm
Mounting Hole: Ø 12.5 mm
Materials: Chromed Brass, Nylon, Rubber

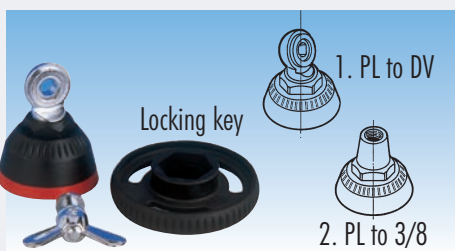
1. NP Chrome	P/N 2500302.01
2. NP Black	P/N 2500302.02
3. NP 3/8	P/N 2500302.03



N-PL AS / NE-PL AS mount

Overall Size: Ø 42 mm
Mounting Hole: N-PL Ø 12.5 mm; NE-PL Ø 10 mm
Materials: Chromed Brass, Nylon, Rubber
Connection: UHF-female

1. N-PL AS w/Cap	P/N 2500502.05
2. NE-PL AS w/Cap Low profile	P/N 2500602.05



Locking key

Type: Magnetic mount adapter
Material: Chromed zamac, Nylon
Connection: 1. PL-259-male to DV joint (Black available)
2. PL-259-male to 3/8" thread

1. MAG-DV adaptor	P/N 2504502.01
1. MAG-DV adaptor black	P/N 2504502.02
2. MAG-3/8 adaptor	P/N 2504502.03



TRUNK TOP 2

Type: Trunk mount
Cable / Connector: 5.5 m RG 58 / UHF-male
Connection: UHF-female, 3/8" Thread or DV joint

1. PL or DV chrome	P/N 2504406.12
1. PL or DV black	P/N 2504407.13
2. PL or 3/8 Chrome	P/N 2504406.14
2. PL or 3/8 Black	P/N 2504407.14



MAG H 12 magnetic mount

Frequency Range: from DC to 500 MHz
Overall Size: Ø 92 mm
Materials: Ferrite magnet, Chromed Brass, Nylon, Rubber protection
Cable / Connector: 3.6 m RG 58 / PL 259 R male

MAG H 12 S	P/N 2502502.01
MAG H 12 S Black	P/N 2502502.02
MAG H 12 3/8	P/N 2502502.03
MAG H 12 PL	P/N 2502502.05



MAG 145 magnetic mount

Frequency Range: from DC to 500 MHz
Overall Size: Ø 160 mm
Materials: Ferrite magnet, Chromed Brass, Nylon, Rubber protection
Cable / Connector: 3.6 m RG 58 / PL 259 R male

MAG 145 S	P/N 2502702.01
MAG 145 S Black	P/N 2502702.02
MAG 145 3/8	P/N 2502702.03
MAG 145 PL	P/N 2502702.05

Available Connections



MAG-S
Tiltable Joint chromed or black



MAG-PL
UHF-female connector



MAG-3/8
3/8" connection



MAG 125 magnetic mount

Frequency Range: from DC to 500 MHz
Overall Size: Ø 127 mm
Materials: Ferrite magnet, Chromed Brass, Nylon, Rubber protection
Cable / Connector: 3.6 m RG 58 / PL 259 R male

MAG 125 S	P/N 2502602.01
MAG 125 S Black	P/N 2502602.02
MAG 125 3/8	P/N 2502602.03
MAG 125 PL	P/N 2502602.05



MAG 160 magnetic mount

Frequency Range: from DC to 500 MHz
Overall Size: Ø 166 mm
Materials: Chromed Brass, Nylon, Magnetic rubber
Cable: 3.6 m RG 58 / PL 259 R male

MAG 160 S	P/N 2502802.01
MAG 160 S Black	P/N 2502802.02
MAG 160 3/8	P/N 2502802.03
MAG 160 PL	P/N 2502802.05



ABN-TRUNK MOUNT

Type: Trunk mount
Mounting hole: Ø 16 mm, available with Ø 20 mm
Material: Black powder painted iron
ABN black P/N 2504105.00



KF-GUTTER MOUNT

Type: Gutter mount
Mounting hole: Ø 16 mm
KF black P/N 2504205.00



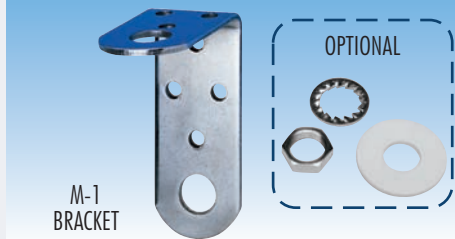
KF-GUTTER SET

Type: Gutter mount
Mounting hole: Ø 16 mm
1. KF black W/ 3/8, 4m cable/PL259 P/N 2504205.03
2. KF black w/SO239, 4m cable/PL259 P/N 2504205.20



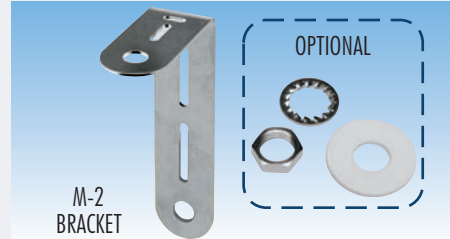
MIRROR MOUNT

Mounting hole: Ø 16 mm
Material: Galvanized or painted steel
ASP-1 Chrome P/N 2504004.00
ASP-3 Black P/N 2504011.00



M-1 BRACKET

Dimension L x W x H: 38 x 64 x 98 mm
Weight (approx.): 120 gr. Material: Stainless Steel
Mounting holes: 2 x Ø 16 mm. Fixing holes: 7 x Ø 6.5 mm
M-1 raket P/N 2503503.00
M-1 raket w/ fixing set P/N 2503503.00/SA



M-2 BRACKET

Dimension L x W x H: 38 x 100 x 180 mm
Weight (approx.): 210 gr. Material: Stainless Steel
Mounting holes: 2 x Ø 16 mm
M-2 bracket P/N 2503203.00
M-2 bracket w/ fixing set P/N 2503203.00/SA



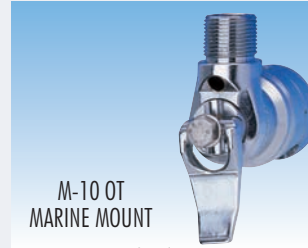
M-8 NY MARINE MOUNT

Connection: 1" x 14 threads
Dimension L x W x H: 70 x 105 x 130 mm
Weight (approx.): 250 gr
Material: Nylon, Stainless steel hardware
M-8 NY marine mount P/N 2503301.00



M-3 OT MARINE MOUNT

Connection: 1" x 14 threads
Dimension L x W x H: 60 x 95 x 130 mm
Weight (approx.): 860 gr
Material: Chromed brass, Stainless steel hardware
M-3 OT marine mount P/N 2503606.00



M-10 OT MARINE MOUNT

Connection: 1" x 14 threads
Fixing diameter: 1"
Weight (approx.): 600 gr
Material: Chromed brass, Stainless steel hardware
M-10 OT marine mount P/N 2503406.00



FT-2 FIXING BRACKET

Top size: Ø 38 mm for antenna fitting
Bottom Size: Ø 42/50 mm for fitting on the mast
Weight (approx.): 1100 gr
Material: Galvanized steel
FT-2 Universal P/N 2510004.00



CONNECTORS

1. Connector for "N" mount P/N 2505000.00
2. Connector for "NE" mount P/N 2505100.00
3. Connector for "TURBO series" P/N 2505200.00
4. SO 239 connector P/N 2505300.00



PL SERIES CONNECTORS WITH TEFLON INSULATOR

1. PL 259 / 6 for RG58 cable P/N 2505400.00
2. PL 259 / 9 for RG8 and RG213 cables P/N 2505500.00
3. PL 259 / R for RG58 cable P/N 2505600.00



ADAPTORS

1. SB 3/8 adaptor: 3/8 mount to DV joint whip P/N 2506606.00
2. SP 3/8 adaptor: 3/8 whip to DV joint mount P/N 2506706.00
All available in black version



ADAPTORS

1. DV - PL adaptor: from PL-259 mount to DV joint whip P/N 2506806.00
2. RTx adaptor: from portable transceiver to SO-239 for cable output P/N 2506906.00



CABLES PL + PL WITH TEFLON INSULATOR

40 cm Cable PL / PL P/N 2506005.00
50 cm Cable PL / PL P/N 2504705.00
90 cm Cable PL / PL P/N 2504805.00


4m ANTENNA SPARE CABLE

- | | |
|-----------------------------------|----------------|
| 1. Cable for "N" mount | P/N 2505705.00 |
| 2. Cable for "NE" mount | P/N 2505805.00 |
| 3. Cable for "TURBO series" | P/N 2505905.00 |


CABLE WITH ANGULAR CONNECTOR

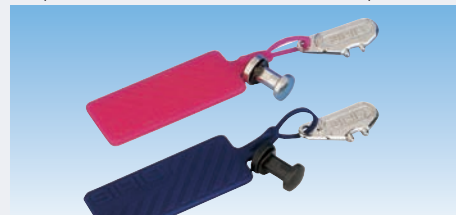
Frequency Range: from DC to 500 MHz
 Mounting Hole / Overall Size: Ø 16 mm / Ø 38 mm
 Cable: 4 m RG 58
 Top connector: UHF-female with teflon
 Cable with angular connector P/N 2506105.00


SG AC/U

Frequency Range: from DC to 500 MHz
 Mounting Hole / Overall Size: Ø 16 mm / Ø 38 mm
 Cable / Connector: 4 m RG 58 / UHF-male (PL259)
 Top connector: UHF-female with teflon
 SG-AC/U P/N 2513005.00


SCREW-BOLT

Materials: Chrome plated Brass and Zinc
 Chrome P/N 2506206.00
 Black P/N 2506207.00


SAFETY SET

Materials: Chromed plated brass
 Safety set Chrome P/N 2506506.00
 Safety set Black P/N 2506507.00

Promotional Items


SIRIO WALL CLOCK

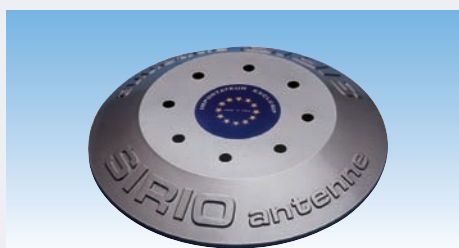
SIRIO Wall Clock P/N 32.0005


SIRIO KEY STRING

SIRIO Key String P/N 32.0006


SIRIO BALL PEN

SIRIO Ball pen P/N 32.0004


ANTENNAS DISPLAY

Type: Desk display for antennas
 Material: Painted zinc supplied with rubber gasket
 Antennas' fixing hole: 8 x Ø 12.5 mm
 DISPLAY P/N 2508008.00


SIRIO DESK LIGHT

SIRIO Desk Light P/N 32.0003


WALL ANTENNA'S DISPENSER

Dimension L x H: 140 x 190 mm
 Material: Aluminium, Painted steel
 Wall antenna's display P/N 32.0002



SIRIO ANTENNE Srl
Strada dei Colli Sud 1/Q
46049 Volta Mantovana, MN - ITALY
Ph. +39 0376 801515
Fax +39 0376 801254
www.sirioantenne.it
info@sirioantenne.it

While the information has been carefully compiled to the best of our knowledge, nothing is intended as representation or warranty on our part and no statement herein shall be construed as recommendation to infringe existing patents.

SIRIO ANTENNE reserves the right to change on any time and without prior warning the technical specification on any product in this catalogue. Copyright ©2005 - Catalogue P/N 31.0001 Rev. 12/05

 **SIRIO CB Antennas**  **SIRIO CB Antennas**

C O M M U N I C A T I O N A N T E N N A S