

INSTRUCTIONS FOR ASSEMBLING MODEL 27-JR - JAM RAM CITIZENS BAND BASE STATION ANTENNA

1. Check the contents of the package against the Package Contents List.
2. Assemble Plate Clamp for radials to underside of bracket as shown in Figure 2. Also add the "U" bolts.
3. Prepare the Spider as shown in Figure 4. Bend the legs down at right angles. Use pliers and bend the legs as close to the clamp as possible and as sharp as possible. Add screw, nut and assemble loosely to top of base.
4. Assemble the vertical radiator sections with the sheet metal screws supplied noting the larger screw holes in sections three and four go toward the top as illustrated. Insert the 1" diameter tube section into the base section only as far as the black ring. Tighten the spider clamp securely at the very edge of the base section.
5. Attach a PL-259 connector to your coax feedline. Connect the feedline (by means of the PL-259) to the connecting termination at the bottom end of the vertical element (under the bracket).
6. Tape the joint with a plastic electrical tape such as Scotch #88 All Weather Tape. Then coat with a coating such as General Cement Q Dope or Krylon Corona Dope Spray for permanent weather resistance.
7. Attach the ground plane radials and tighten securely. See Figure 3.
8. Mount the antenna on your mast. Use 1-1/4" pipe for a Mast.

TUNING

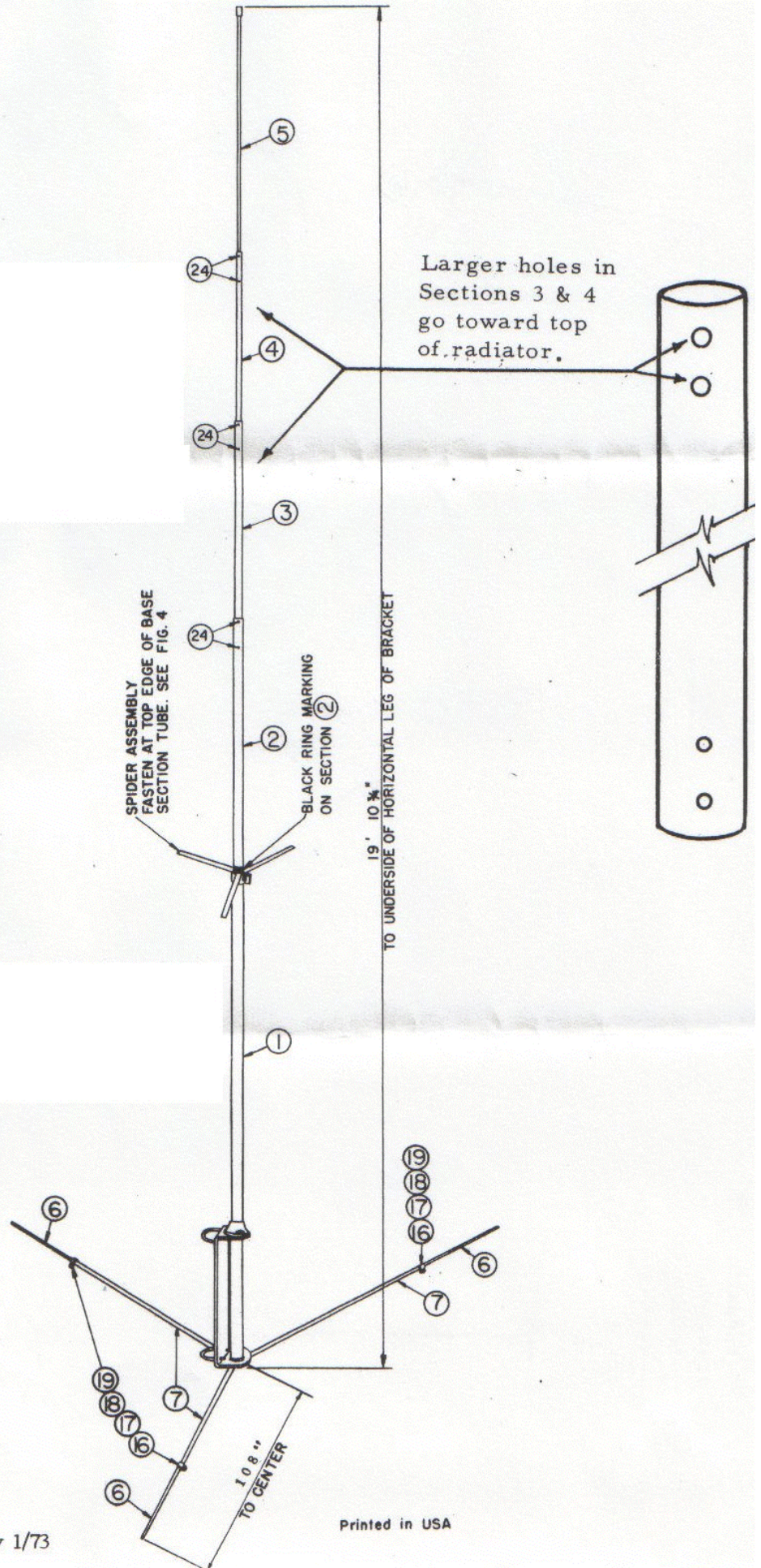
The 27-JR has been pretuned at the factory and should have a low VSWR when it is set at the black ring. Changes in environment may affect this tuning.

The 27-JR can be readjusted to compensate for these effects by lengthening or shortening the overall antenna length.

Check the SWR with an accurate bridge, first on the lowest channel available, then on the highest, carefully noting the SWR; if it is higher on the lowest channel, then the antenna is too short. High SWR on the highest channel indicates the antenna is too long. Loosen the clamp holding the spider assembly and adjust the second section as indicated previously, a move of 1/2 inch will have considerable effect.

Changing the length of the coax should have no affect on SWR if the antenna is tuned properly.

x 54"
x 57"



When ground plane radials are attached, place them above the floating lockwashers (22). Lockwashers to be between the ground radial tube and ground plate (15).

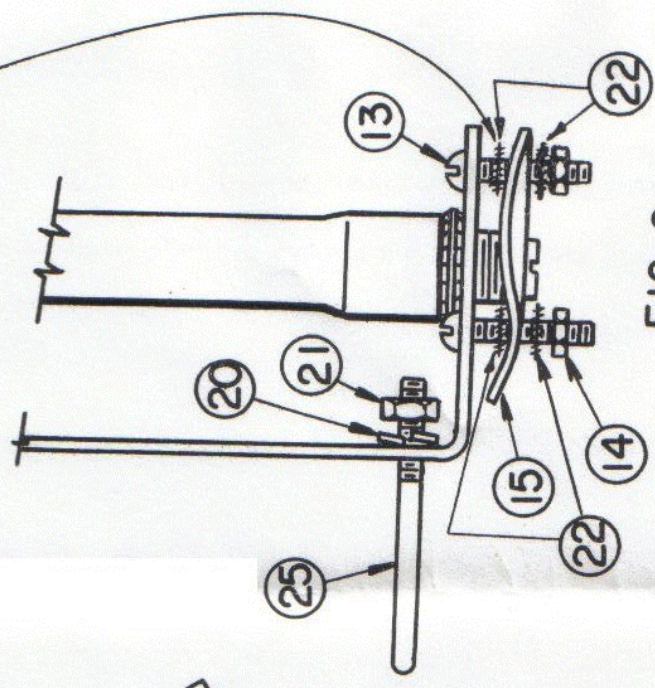


FIG. 2

Black Ring Marking
Insert all rod extensions into tubular elements up to marking only

Note
Radial elements to be positioned close to screw

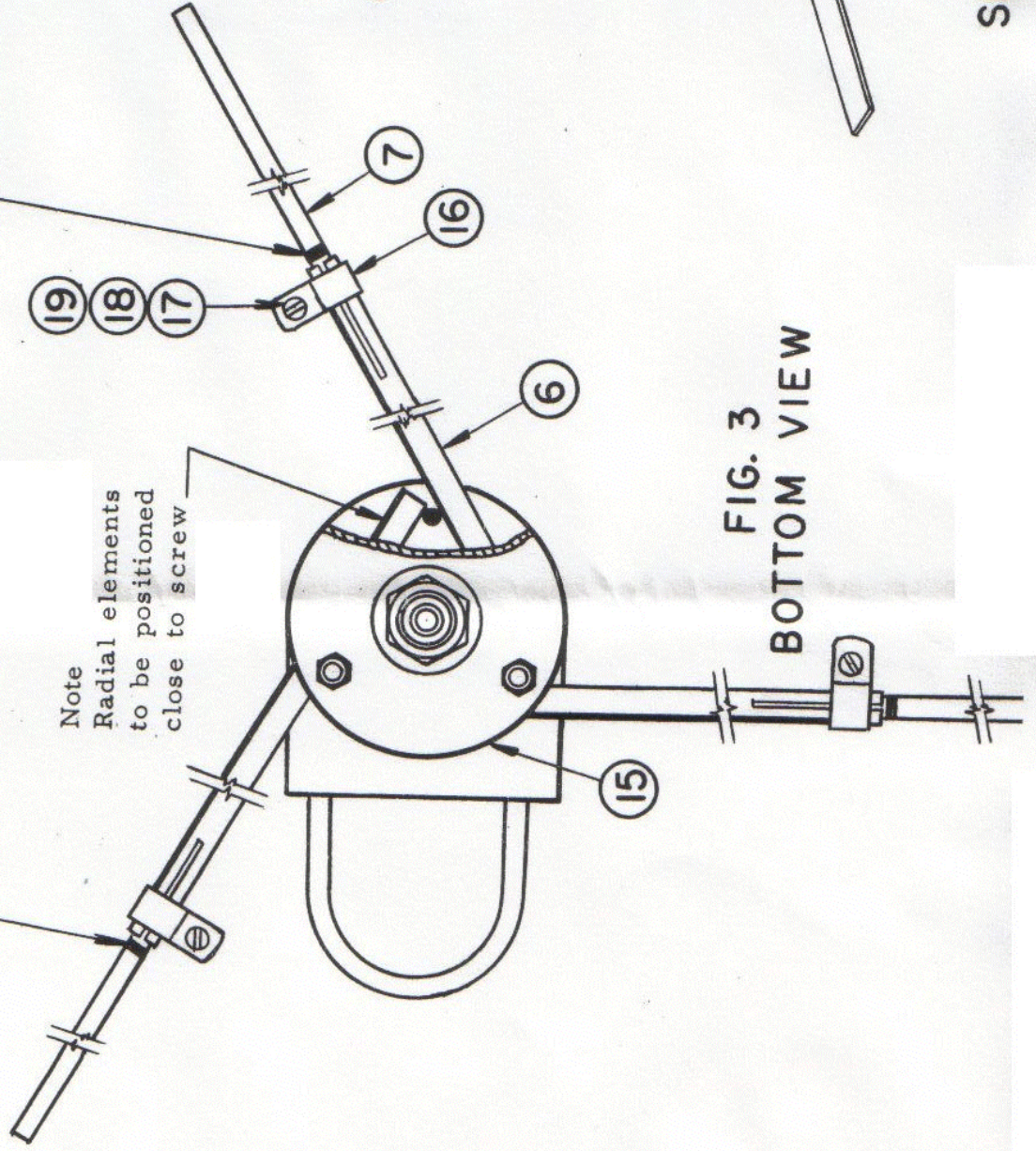


FIG. 3
BOTTOM VIEW

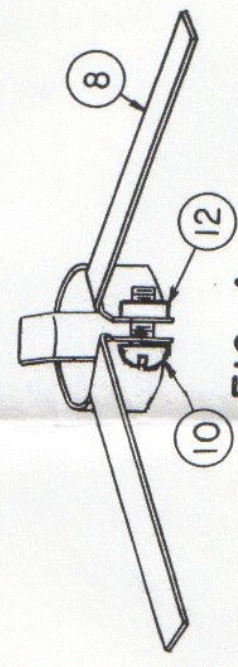


FIG. 4

SPIDER ASSEMBLY

PACKAGE CONTENTS LIST

<u>ITEM</u>	<u>QTY.</u>	<u>PART NO.</u>	<u>DESCRIPTION</u>
1	1	4462	Assembly, Base Section
2	1	4280-3	Aluminum Tube 1" x 48"
3	1	4281-1	Aluminum Tube 7/8" x 48"
4	1	4282-4	Aluminum Tube 3/4" x 48"
5	1	4283-2	Aluminum Tube 5/8" x 54"
6	3	4318-1	Aluminum Ground Plane Tube 5/16" x 54"
7	3	3180-1	Ground Plane Extension Rods 3/16" x 57"
8	1	4457	Spider
9	1	4459	Kit of Hardware Parts Consisting of
10	1	2194-32	Screw, Rd. Head 1/4-20 x 3/4
12	1	4243-1	Square Nut 1/4-20
13	3	2194-22	Screws, Rd. Hd. 10-32 x 1"
14	3	2382-11	Nuts, 10-32
15	1	4717	Plate
16	3	3943-1	Tube clamps with no straight leg
17	3	2194-11	Screws Rd. Hd. 8-32 x 7/16"
18	3	2382-20	Nuts 8-32
19	3	2381-2	Lockwashers No. 8 Ext. Tooth
20	4	2491-3	Lockwashers 1/4" Split
21	4	2382-3	Nuts 1/4-20
22	6	2381-5	Lockwasher No. 10 Ext. Tooth
23	1	3817-3	Plastic Tube Cap
24	6	2981-13	Sheet Metal Screws No. 8 x 3/8
25	2	3488-4	U Bolts