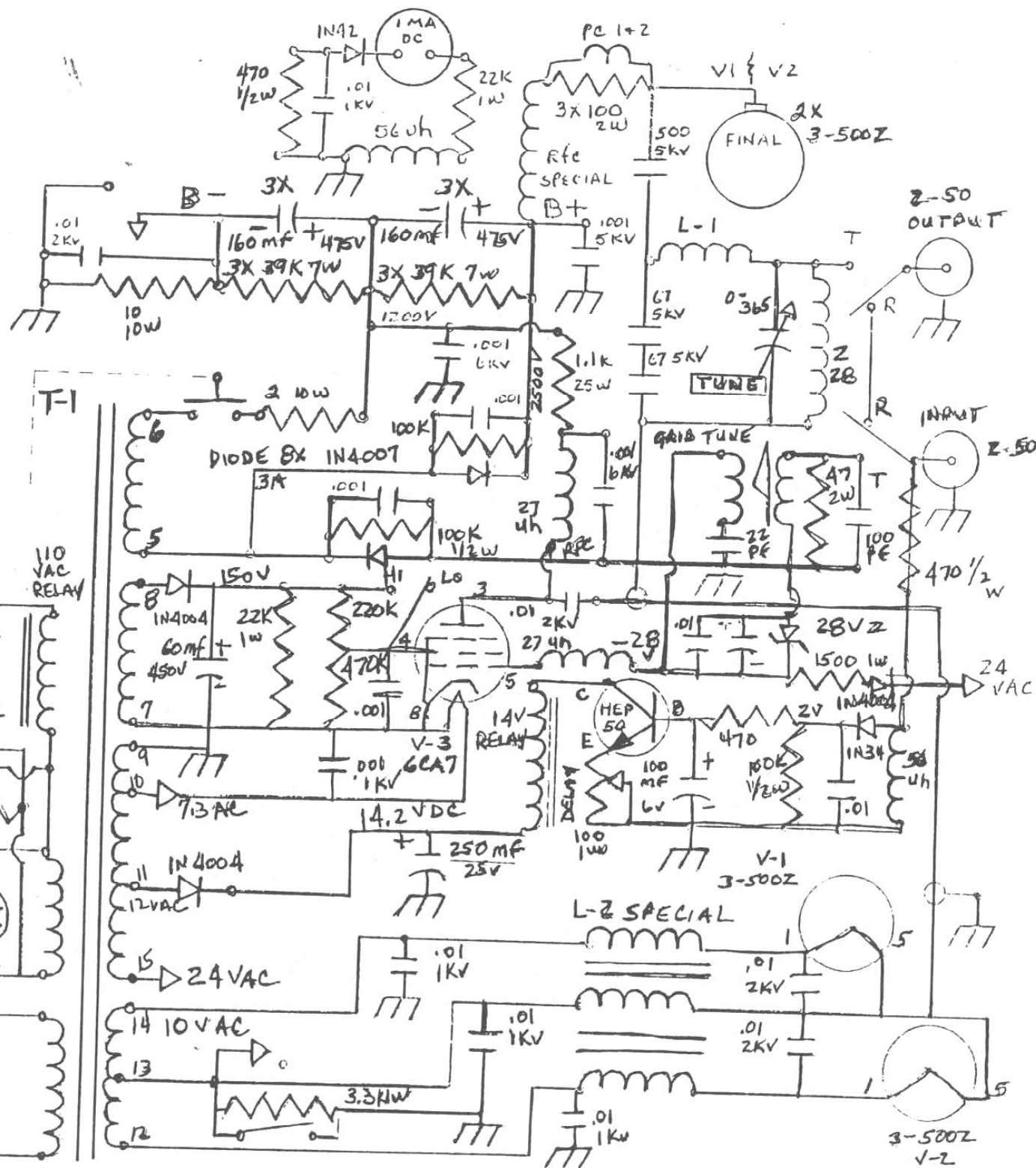


USA

NO2	JB2000\D	10-11 METER
WHWASEE ELECTRONICS CO INC		
PO BOX 33 SYRACUSE IND		
FEB 74	CIR JIM	DRW RM 46567



relay shown in receive position
 all resistance in ohms
 transformer primary shown in 120VAC position
 for 240 VAC connect both links between term
 2 & 3.
 all voltages measured to chassis grd.

