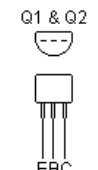
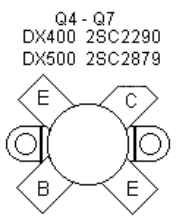
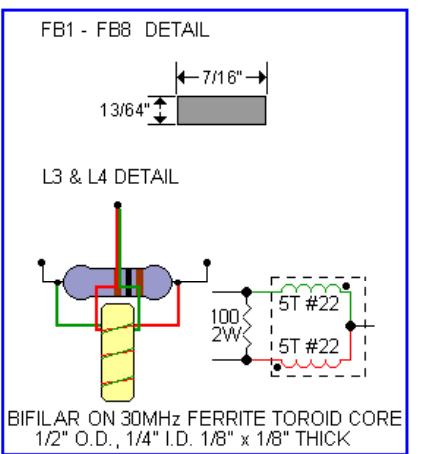
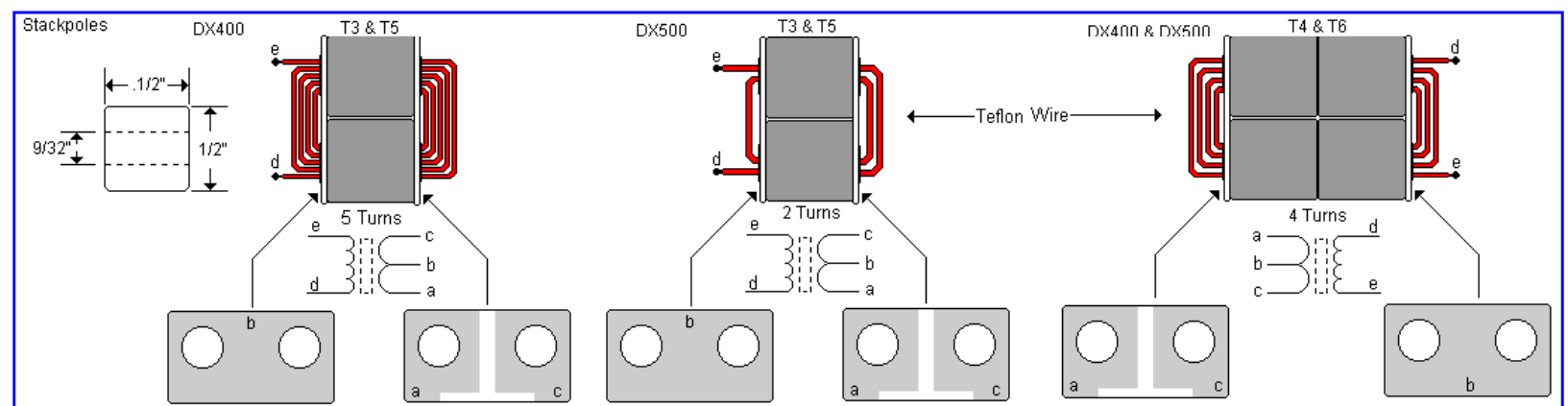
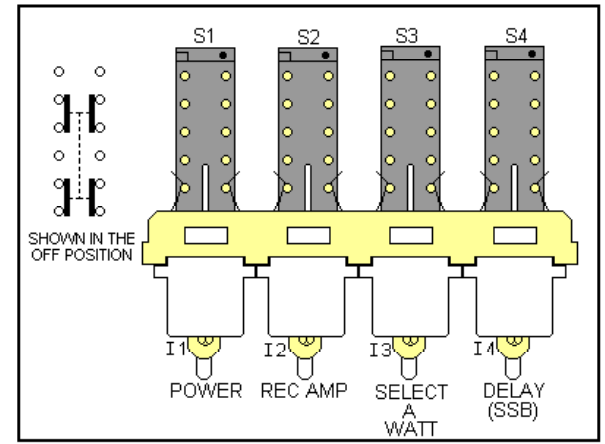


ALL SWITCHES ARE SHOWN IN THE OFF POSITION



- NOTE:**
1. The wire colors used in this diagram will vary from the amp. Also the wire color will vary from amp to amp.
 2. The component type will vary from amp to amp see text for more information.
 3. This diagram is based on current production (2001) out of Texas Star.



Texas Star DX400 & DX500 Amp
CBTricks.com
Rev. # 2.0
Copyright © 2001, CBTricks.com All Rights Reserved
Sep. 2001