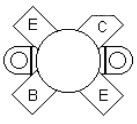
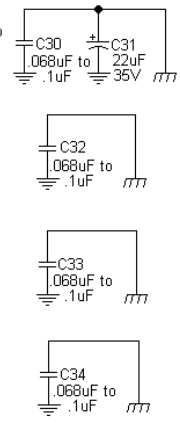
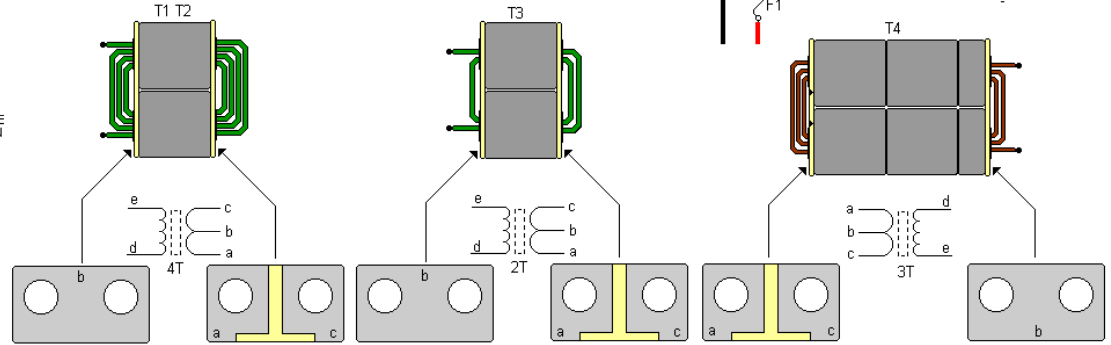
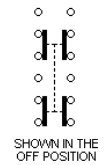
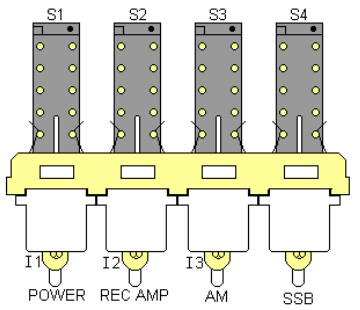


ARROW M
K2T-12V-9-HI
Coil 12Vdc 185ohm
1A @ 125vac
2A @ 28vdc
OR
American Zettler
AZ428-1011-40LUS

ALL SWITCHES ARE SHOWN IN THE OFF POSITION



NOTE:

1. The wire colors used in this diagram will vary from the amp. Also the wire color will vary from amp to amp.
2. The component type will vary from amp to amp see text for more information.

Texas Star DX350 Bi-Lateral
CBTricks.com
Rev. # 1.1
Copyright © 2001, CBTricks.com All Rights Reserved
Sep. 2001