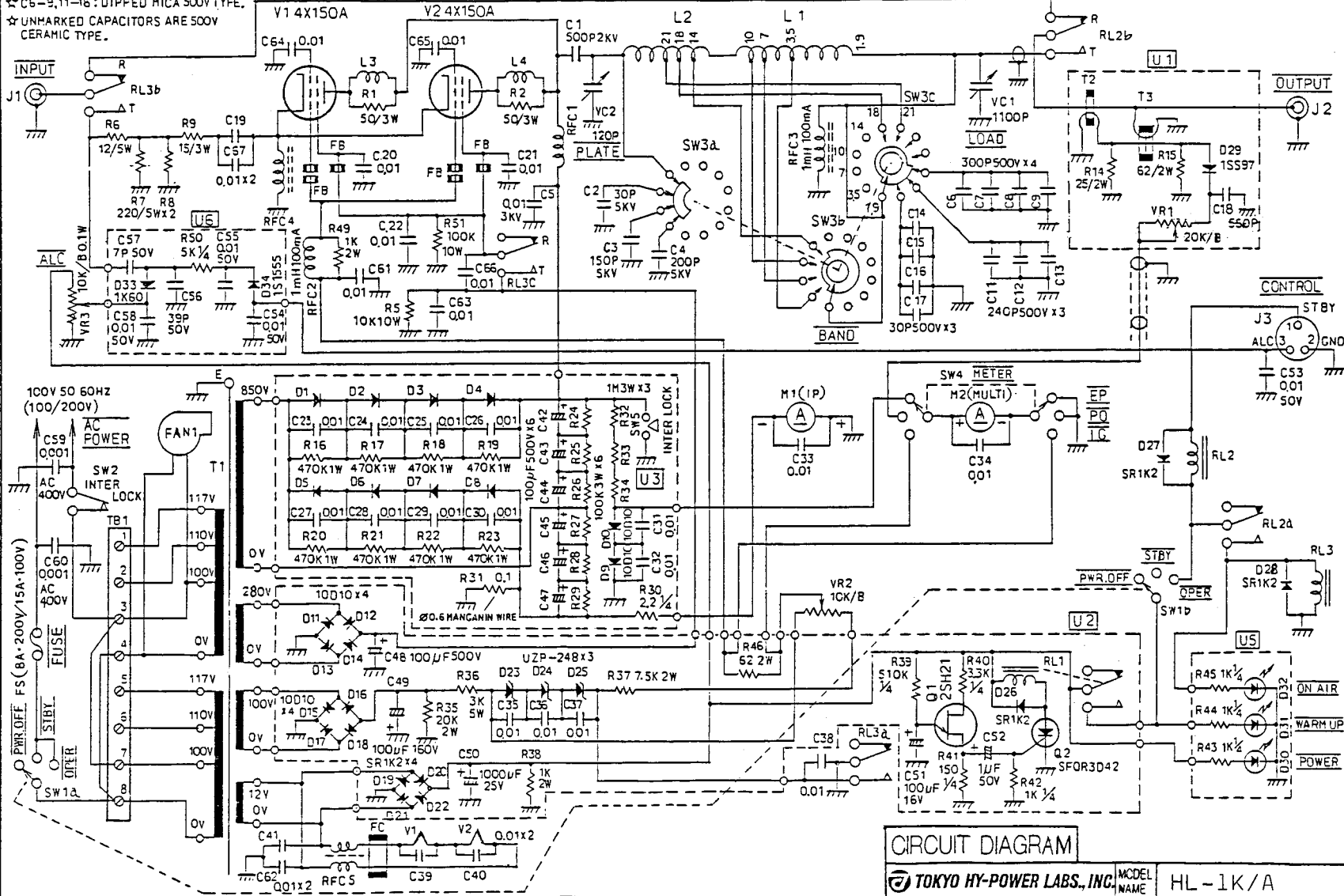


- ☆ C1-2-3-4 : DISC CERAMIC CAPACITORS, RF POWER TYPE.
- ☆ C6-9, 11-16 : DIPPED MICA 500V TYPE.
- ☆ UNMARKED CAPACITORS ARE 500V CERAMIC TYPE.



CIRCUIT DIAGRAM

TOKYO HY-POWER LABS., INC. MODEL NAME HL-1K/A