

Model HXT-1.5KF Instruction Manual **External Cooling Fan Kit**

This fan kit is designed to give an extra cooling effect for HL-1.5KFX HF linear amplifier working under heavy duty conditions such as RTTY, SSTV, 24 hour contests etc.

Specifications

Fans	: Type SKUD48Z7 2pcs.
Dimensions	: 105 x 50 x 245 mm (W x H x D) or 4 x 2 x 9.5 inches
Weight	: Approx. 0.7 kgs. or 1.6 lbs.
DC Power	: 48 (50) V 0.25 A (0.5 A max., surge)
Fuse	: 125V / 1A (To be inserted into the holder at the chassis bottom.)





Installation

<Step1>

Remove the fuse holder out of the chassis.

(Fuse holder is located at the bottom of the chassis.)

Insert 125V / 1A fuse into the holder.

Plug the holder into the chassis.

<Step 2>

Remove two screw bolts located at the top of the cover.

<Step3>

Plug the plastic connector for the two wires from the fans into the "EXTERNAL FAN POWER" socket located at the upper left corner of the rear panel.

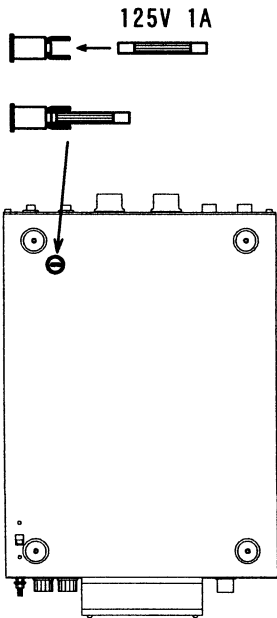
<Step 4>

Put the fan housing on the top of the cover.

Screw the two bolts and tighten firmly.

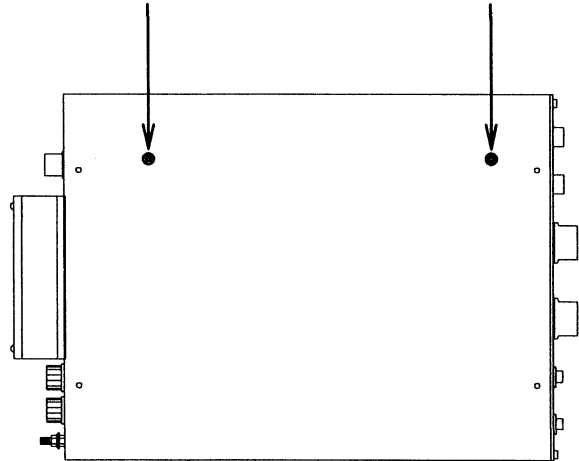
STEP1

Remove the fuse holder out of the chassis, that is located at the bottom of the chassis.
 Insert a 125V/1A fuse into the holder.
 Plug the holder into the chassis.



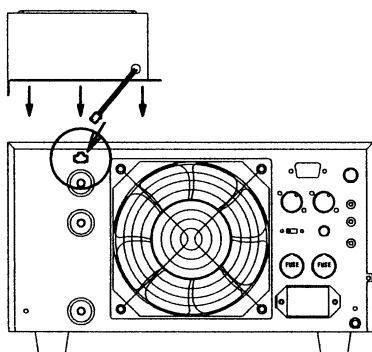
STEP2

Remove two screw bolts located at the top of the cover.



STEP3

Plug the plastic connector for the two wires from the fans into the "EXTERNAL FAN POWER" socket located at the upper left corner of the rear panel.



STEP4

Put the fan housing on the top of the cover.
 Screw the two bolts and tighten firmly.

