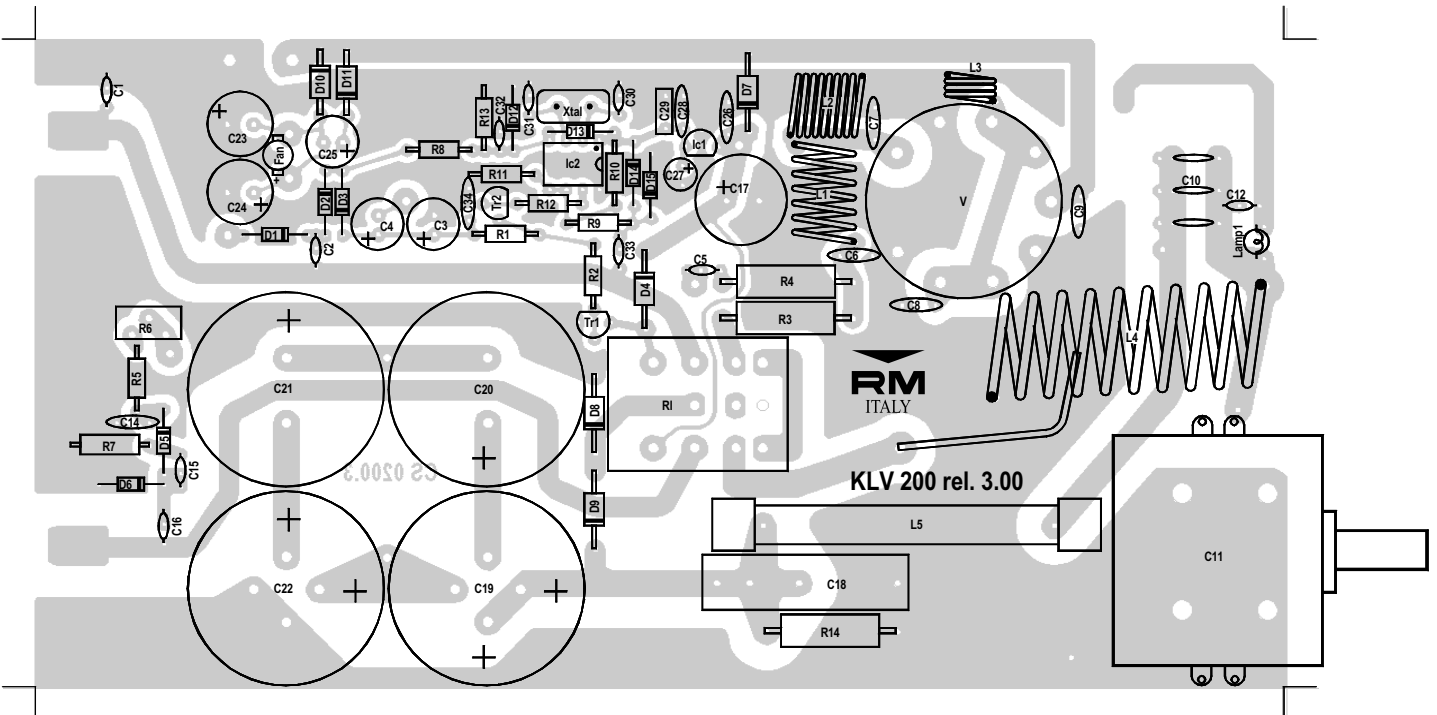
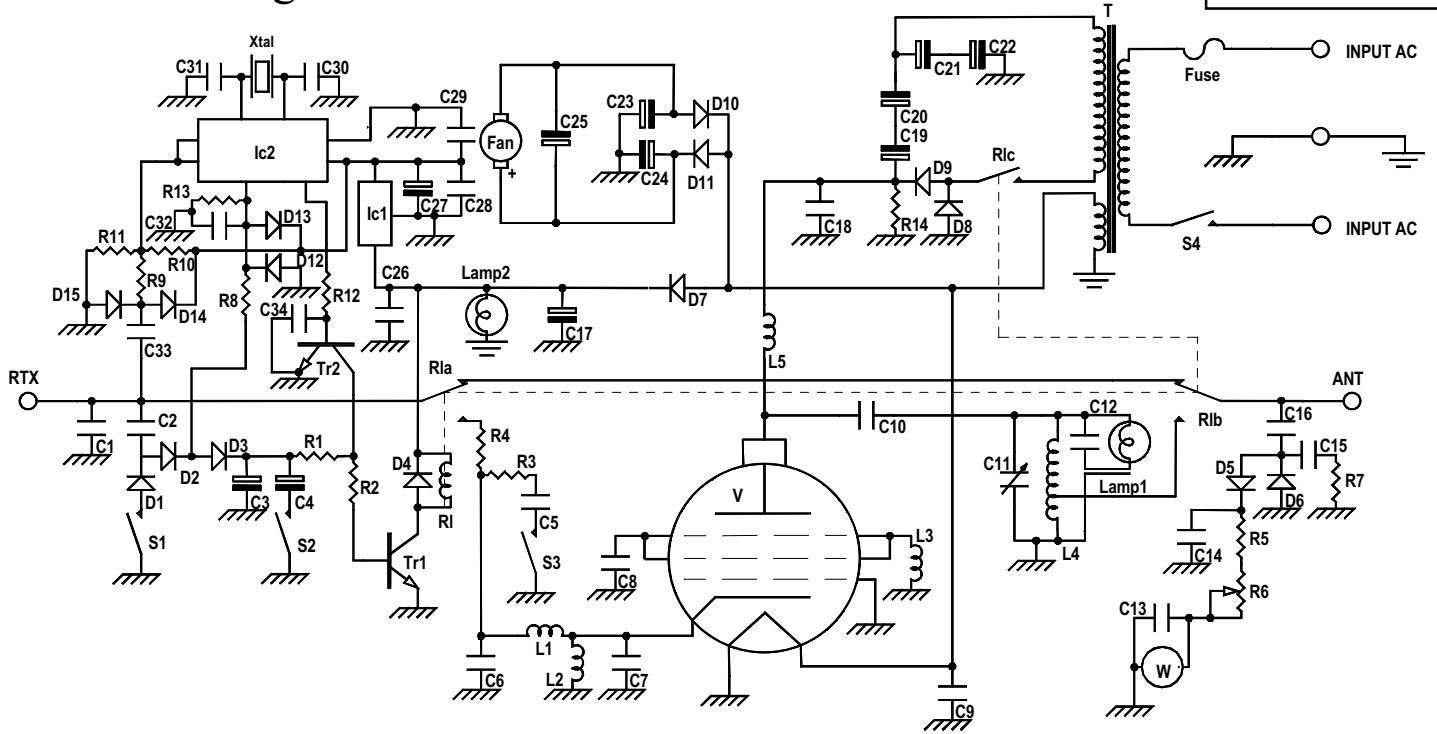


Mod. KLV 200 linear amplifier

Schematic diagram

Version 3.10



List of components

C ₁	= 27 pF	50 V	N750	D ₁	= 1N4148
C ₂	= 8,2 pF	50 V	N750	D ₂	= 1N4148
C ₃	= 10 µF	16 V		D ₃	= 1N4148
C ₄	= 47 µF	16 V		D ₄	= 1N4004
C ₅	= 82 pF	50 V	N750	D ₅	= 1N4148
C ₆	= 150 pF	50 V	N750	D ₆	= 1N4148
C ₇	= 220 pF	50 V	N750	D ₇	= 1N4004
C ₈	= 150 pF	500 V	N750	D ₈	= 1N4007
C ₉	= 100 nF	50 V		D ₉	= 1N4007
C ₁₀	= 2 x 6,8 nF	1000 V		D ₁₀	= 1N4004
C ₁₁	= Variable condensator	30 pF		D ₁₁	= 1N4004
C ₁₂	=			D ₁₂	= 1N4148
C ₁₃	= 100 nF	50 V		D ₁₃	= 1N4148
C ₁₄	= 100 nF	50 V		D ₁₄	= 1N4148
C ₁₅	= 33 pF	50 V	N750	D ₁₅	= 1N4148
C ₁₆	= 2,2 pF	50 V	N750	Tr ₁	= BC 547
C ₁₇	= 470 µF	16 V		Tr ₂	= BC 547
C ₁₈	= 22 nF	1000 V	Polyester	Ic ₁	= LM 78L05
C ₁₉	= 100 µF	450 V		Ic ₂	= PIC 12C508A
C ₂₀	=			Xtal	= 4,0 MHz
C ₂₁	=			V	= EL 509 - EL 519
C ₂₂	= 100 µF	450 V		L ₁	= 7 turns φ 8 mm wire φ 0.8 mm
C ₂₃	= 220 µF	16 V		L ₂	= 9 turns φ 8 mm wire φ 0.8 mm
C ₂₄	= 220 µF	16 V		L ₃	= 3 turns φ 6 mm wire φ 0.8 mm
C ₂₅	= 22 µF	16 V		L ₄	= 13 turns φ 13 mm wire φ 1.5 mm tap 4 ^a turns
C ₂₆	= 10 nF	50 V		L ₅	= RF impedance block
C ₂₇	= 22 µF	16 V		R _l	= Relè 6 V 5513
C ₂₈	= 10 nF	50 V		Fuse	= 4 A
C ₂₉	= 100 nF	63 V	polyester	Lamp ₁	= 24 V
C ₃₀	= 27 pF	50 V	N750	Lamp ₂	= Meter lamp
C ₃₁	= 27 pF	50 V	N750	S ₁	= Switch 3A (St. By - ON)
C ₃₂	= 10 nF	50 V		S ₂	= Switch 3A (AM - SSB)
C ₃₃	= 3,3 pF	50 V	N750	S ₃	= Switch 3A (HI - LOW)
C ₃₄	= 100 nF	50 V		S ₄	= Switch 3A (ON - OFF)
R ₁	= 1,0 KΩ	¼W		T	= Transformator IN 110 OUT 0-300 V 0-6 V
R ₂	= 1,0 KΩ	¼W		Fan	= Fan 12 V
R ₃	= 47 Ω	2W			
R ₄	= 15 Ω	2W			
R ₅	= 47 KΩ	¼W			
R ₆	= Trimmer	220 KΩ			
R ₇	= 27 Ω	½W			
R ₈	= 56 KΩ	¼W			
R ₉	= 100 Ω	¼W			
R ₁₀	= 10 KΩ	¼W			
R ₁₁	= 10 KΩ	¼W			
R ₁₂	= 1,0 KΩ	¼W			
R ₁₃	= 1,0 MΩ	¼W			
R ₁₄	= 470 KΩ	2W			