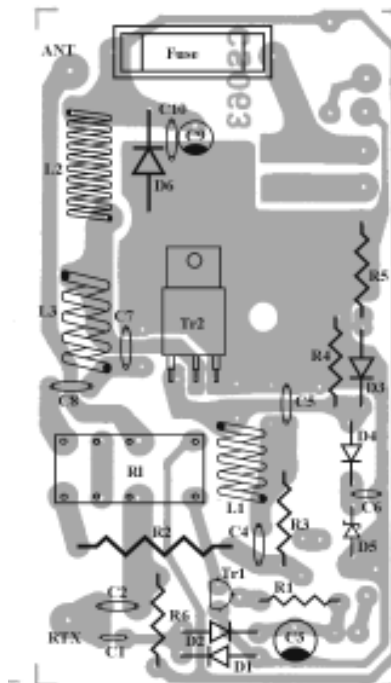
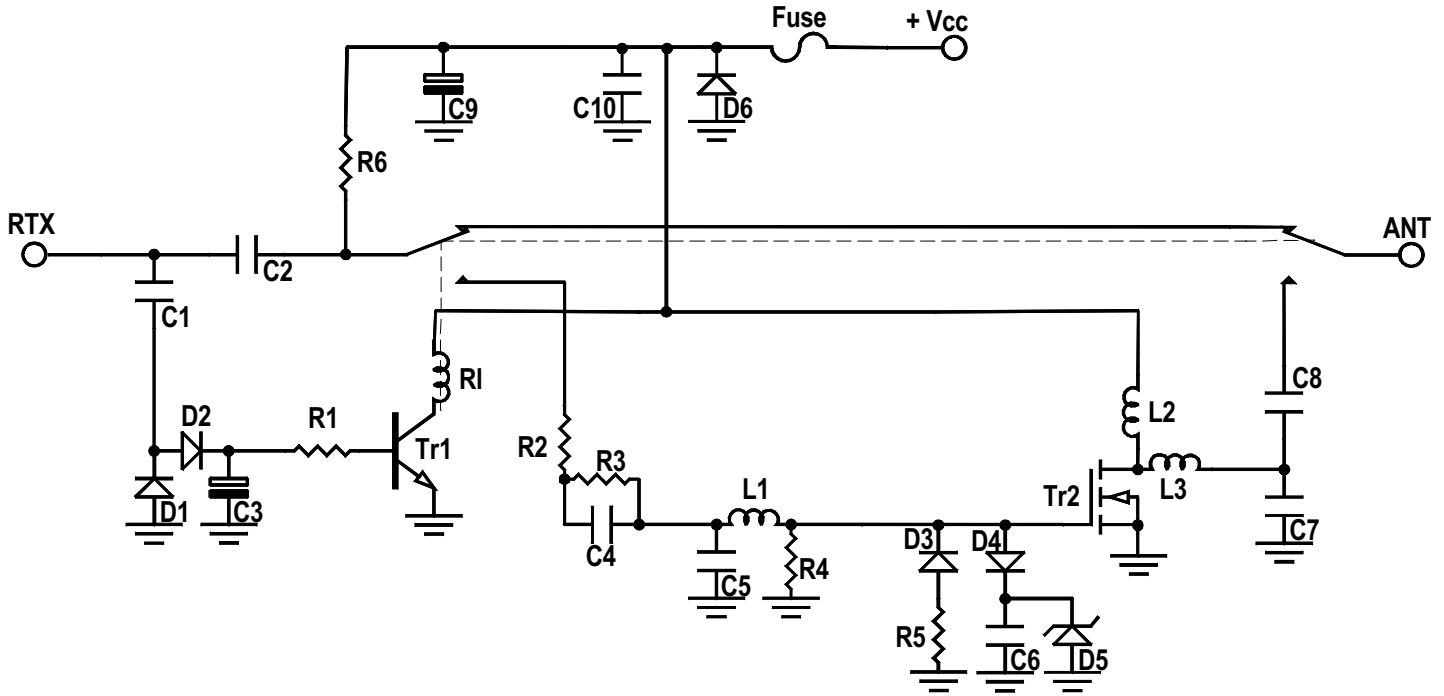


# Mod. 43 linear amplifier

Schematic diagram

Version 1.00



**List of components**

C<sub>1</sub> = 8,2 pF 50 V N750  
C<sub>2</sub> = 10 nF 50 V  
C<sub>3</sub> = 4,7 μF 16 V  
C<sub>4</sub> = 470 pF 50 V N750  
C<sub>5</sub> = 180 pF 50 V N750  
C<sub>6</sub> = 10 nF 50 V  
C<sub>7</sub> = 180 pF 50 V N750  
C<sub>8</sub> = 100 pF 50 V N750  
C<sub>9</sub> = 10 μF 16 V  
C<sub>10</sub> = 100 nF 50 V  
R<sub>1</sub> = 2,2 KΩ ¼W  
R<sub>2</sub> = 10 Ω 2W  
R<sub>3</sub> = 12 KΩ ¼W  
R<sub>4</sub> = 4,7 KΩ ¼W  
R<sub>5</sub> = 470 Ω ½W  
R<sub>6</sub> = 12 KΩ ¼W  
D<sub>1</sub> = D<sub>2</sub> = D<sub>3</sub> = D<sub>4</sub> = 1N4148  
D<sub>5</sub> = Zener 20 V 1W  
D<sub>6</sub> = 1N4004  
TR<sub>1</sub> = BC 547  
TR<sub>2</sub> = MOS RM3  
L<sub>1</sub> = 5 turns φ 5 mm wire φ 0,8 mm  
L<sub>2</sub> = 12 turns φ 5 mm wire φ 0,8 mm  
L<sub>3</sub> = 4 turns φ 5 mm wire φ 0,8 mm  
Rl = Relè 12 V 3022  
Fuse = 5 A