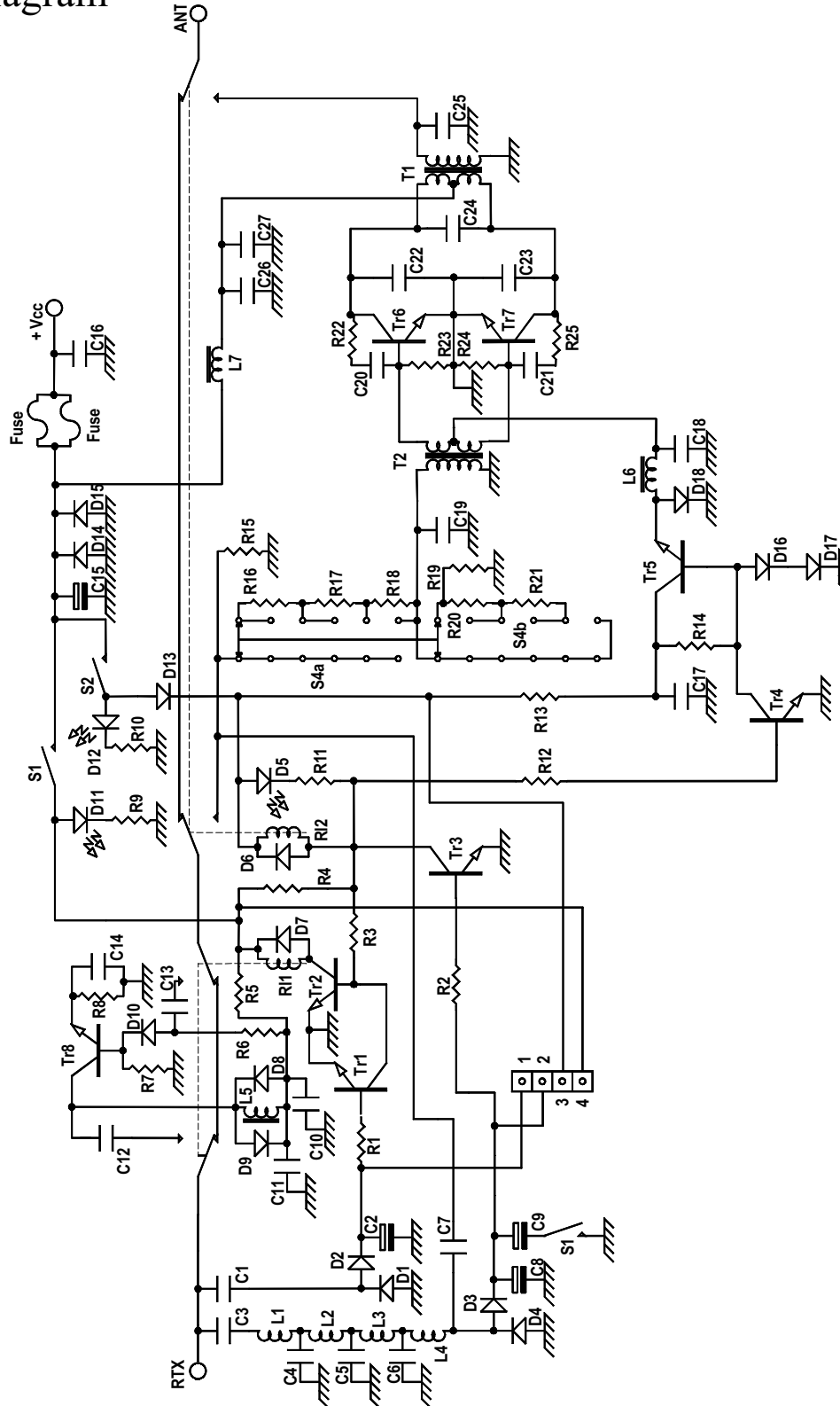


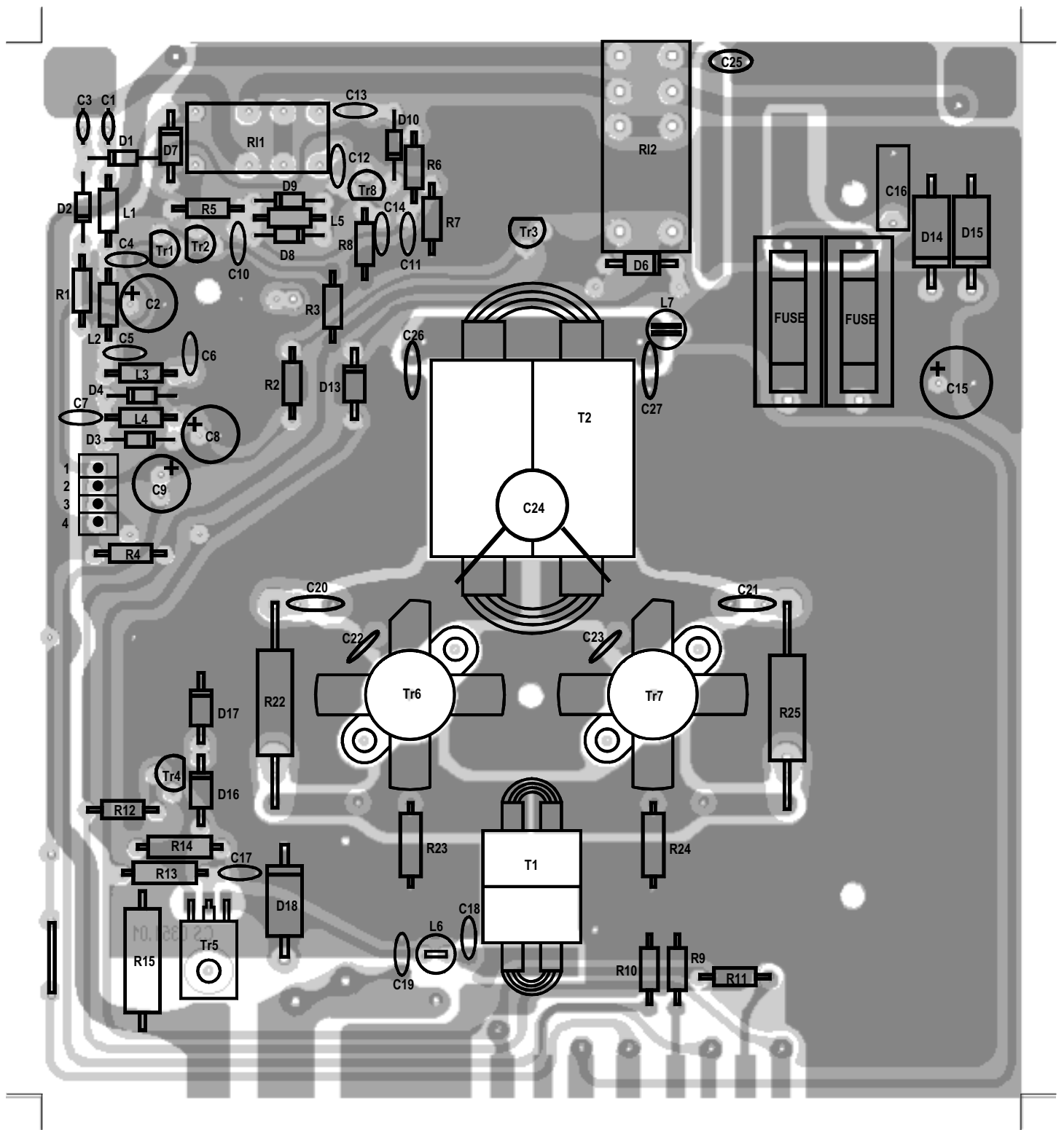


Mod. KL 400 linear amplifier (use MRF 455)

Schematic diagram

Version 3.02





List of components

C ₁	= 3,3 pF	50 V	NP0
C ₂	= 10 μF	16 V	
C ₃	= 3,3 pF	50 V	NP0
C ₄	= 82 pF	50 V	NP0
C ₅	= 100 pF	50 V	NP0
C ₆	= 100 pF	50 V	NP0
C ₇	= 5,6 pF	50 V	NP0

C ₈	= 2,2 μF	16 V	
C ₉	= 33 μF	16 V	
C ₁₀	= 10 nF	50 V	
C ₁₁	= 10 nF	50 V	
C ₁₂	= 150 pF	50 V	NP0
C ₁₃	= 56 pF	50 V	NP0
C ₁₄	= 470 pF	50 V	N750
C ₁₅	= 470 μF	16 V	

C ₁₆ = 470 nF	100 V	Polyester	D ₁₆ = 1N4004
C ₁₇ = 100 nF	50 V		D ₁₇ = 1N4004
C ₁₈ = 10 nF	50 V		D ₁₈ = 1N5400
C ₁₉ = 150 pF	50 V	NP0	Tr ₁ = BC 547
C ₂₀ = 47 nF	50 V		Tr ₂ = BC 547
C ₂₁ = 47 nF	50 V		Tr ₃ = BC 337
C ₂₂ = 220 pF	500 V	N750	Tr ₄ = BC 547
C ₂₃ = 220 pF	500 V	N750	Tr ₅ = BD 175
C ₂₄ = 5 x 270 pF	500 V	N750	Tr ₆ = SD 1446
C ₂₅ = 47 pF	1000 V	NP0	Tr ₇ = SD 1446
R ₁ = 2,2 K Ω	¼W		Tr ₈ = BF 199
R ₂ = 2,2 K Ω	¼W		L ₁ = 2,2 μ H
R ₃ = 12 K Ω	¼W		L ₂ = 2,2 μ H
R ₄ = 12 K Ω	¼W		L ₃ = 2,2 μ H
R ₅ = 100 Ω	¼W		L ₄ = 2,2 μ H
R ₆ = 12 K Ω	¼W		L ₅ = 10 μ H
R ₇ = 2,2 K Ω	¼W		L ₆ = VK 200 1 wire
R ₈ = 100 Ω	¼W		L ₇ = VK 200 2 wires
R ₉ = 1,0 K Ω	¼W		Rl ₁ = Relè 12 V 3022
R ₁₀ = 1,0 K Ω	¼W		Rl ₂ = Relè 12 V 4052 or 4152
R ₁₁ = 1,0 K Ω	¼W		Fuse = 2 x 12A 5x20 Fast
R ₁₂ = 12 K Ω	¼W		S ₁ = Switch 3A (Pre ON)
R ₁₃ = 1,0 Ω	½W		S ₂ = Switch 3A (Lin ON)
R ₁₄ = 1,2 K Ω	¼W		S ₃ = Switch 3A (AM SSB)
R ₁₅ = 180 Ω	2W		S ₄ = Switch 6 positions
R ₁₆ = 10 Ω	2W		T ₁ = Output transformer
R ₁₇ = 10 Ω	2W		T ₂ = Input transformer
R ₁₈ = 10 Ω	2W		
R ₁₉ = 27 Ω	2W		
R ₂₀ = 47 Ω	2W		
R ₂₁ = 100 Ω	2W		
R ₂₂ = 68 Ω	2W		
R ₂₃ = 10 Ω	½W		
R ₂₄ = 10 Ω	½W		
R ₂₅ = 68 Ω	2W		
D ₁ = 1N4148			
D ₂ = 1N4148			
D ₃ = 1N4148			
D ₄ = 1N4148			
D ₅ = Red LED			
D ₆ = 1N4004			
D ₇ = 1N4004			
D ₈ = 1N4148			
D ₉ = 1N4148			
D ₁₀ = 1N4148			
D ₁₁ = Yellow LED			
D ₁₂ = Green LED			
D ₁₃ = 1N4004			
D ₁₄ = 1N5400			
D ₁₅ = 1N5400			