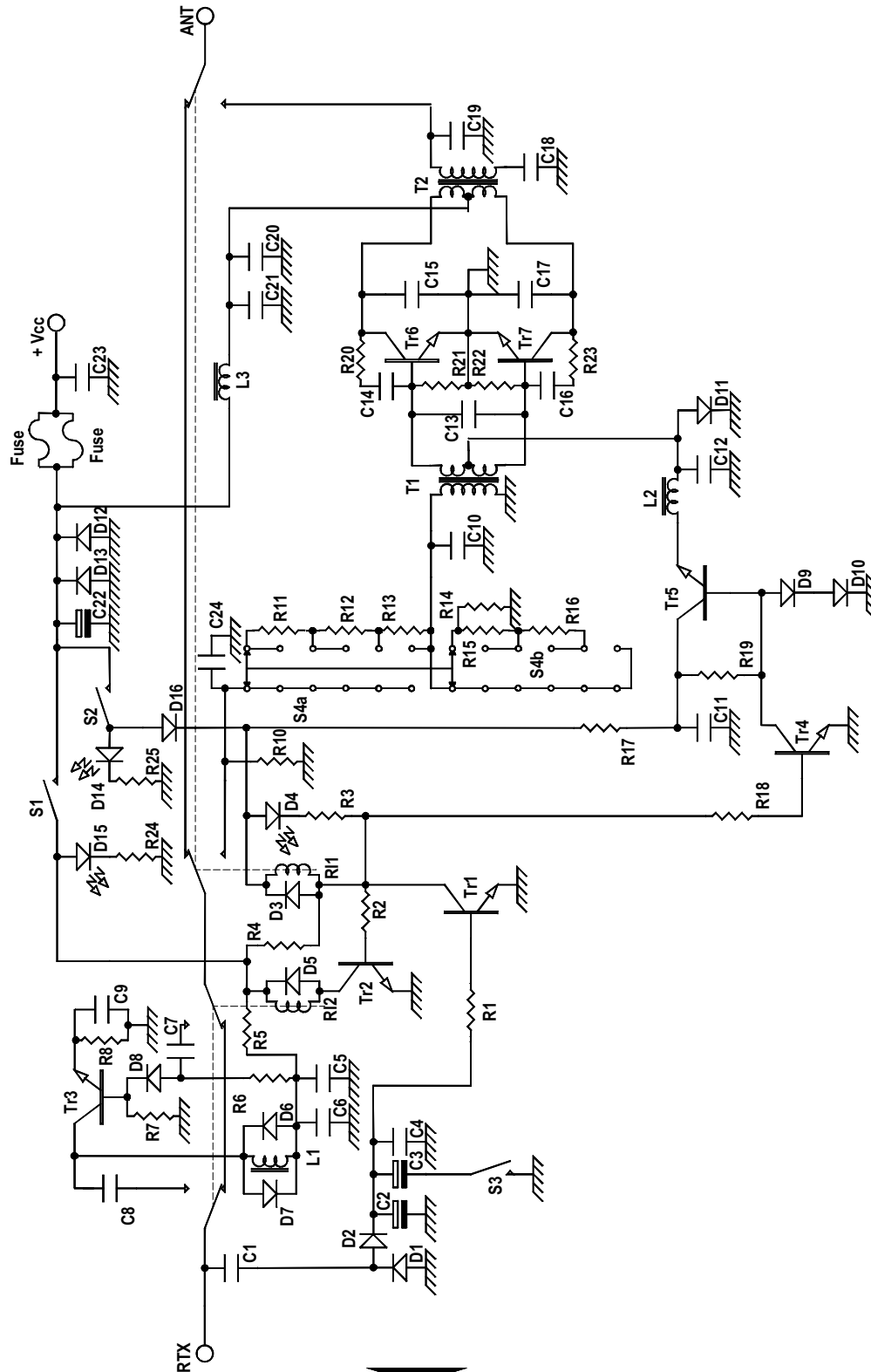


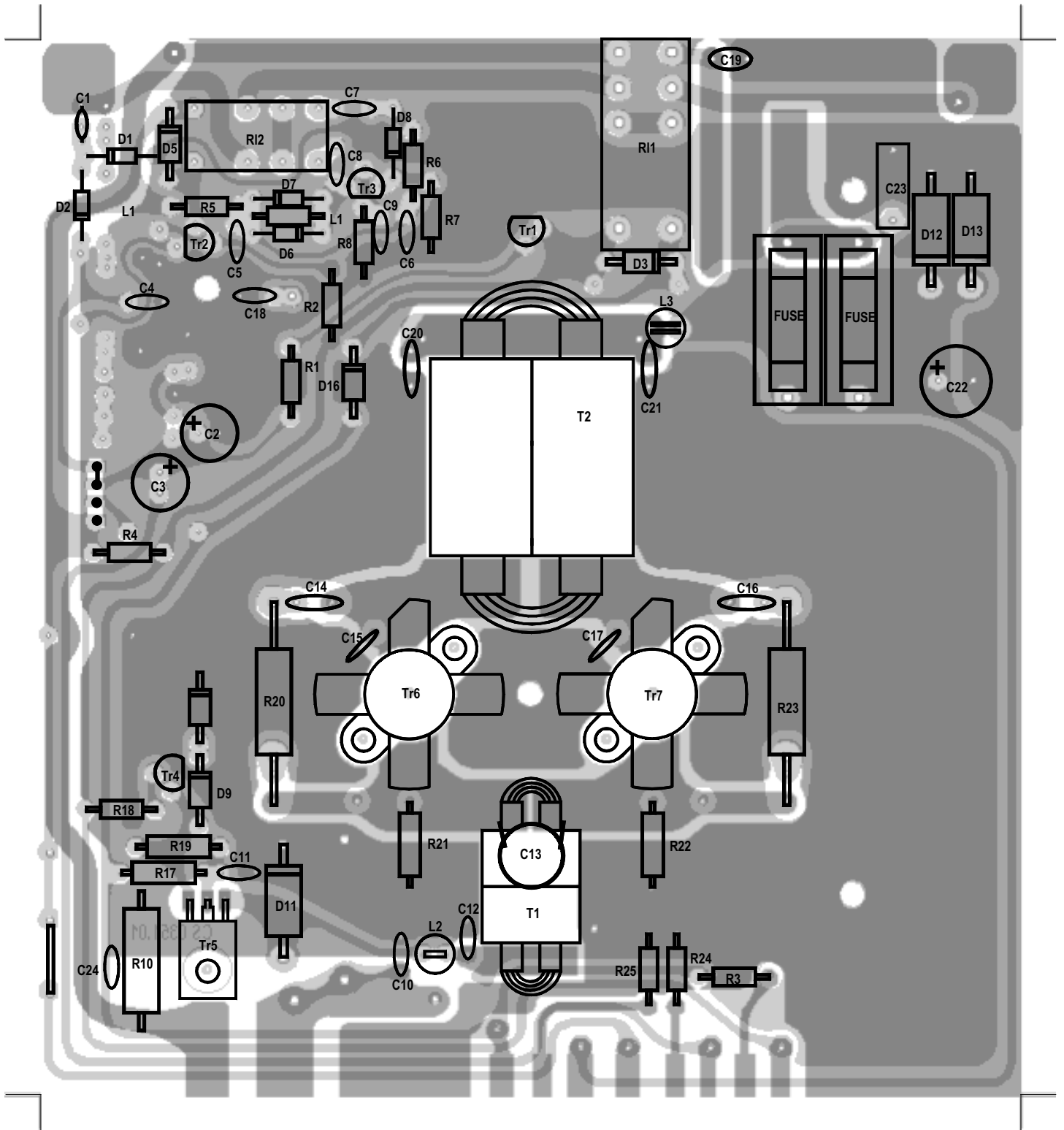
KL 400 linear amplifier

Schematic diagram

SD 1446

Version 3.00-s





List of components

C ₁	= 8,2 pF	50 V		D ₁	= 1N4148
C ₂	= 4,7 μF	16 V		D ₂	= 1N4148
C ₃	= 33 μF	16 V		D ₃	= 1N4004
C ₄	= 10 nF	50 V		D ₄	= LED red
C ₅	= 10 nF	50 V		D ₅	= 1N4004
C ₆	= 10 nF	50 V		D ₆	= 1N4148
C ₇	= 56 pF	50 V	N750	D ₇	= 1N4148
C ₈	= 150 pF	50 V	N750	D ₈	= 1N4148
C ₉	= 470 pF	50 V	N750	D ₉	= 1N4004
C ₁₀	= 100 pF	50 V	N750	D ₁₀	= 1N4004
C ₁₁	= 100 nF	50 V		D ₁₁	= 1N5400
C ₁₂	= 10 nF	50 V		D ₁₂	= 1N5400
C ₁₃	= 470 pF	50 V		D ₁₃	= 1N5400
C ₁₄	= 47 nF	50 V		D ₁₄	= LED green
C ₁₅	= 220 pF	500 V	N750	D ₁₅	= LED yellow
C ₁₆	= 47 nF	50 V		D ₁₆	= 1N4004
C ₁₇	= 220 pF	500 V	N750	Tr ₁	= BC 547
C ₁₈	= 100 pF	500 V	N750	Tr ₂	= BC 547
C ₁₉	= 47 pF	1000 V	N750	Tr ₃	= BF 199
C ₂₀	= 100 nF	50 V		Tr ₄	= BC 547
C ₂₁	= 100 nF	50 V		Tr ₅	= BD 179
C ₂₂	= 470 μF	16 V		Tr ₆	= SD 1446
C ₂₃	= 220 nF	100 V	Polyester	Tr ₇	= SD 1446
C ₂₄	= 47 pF	50 V	N750	L ₁	= 10 μH
R ₁	= 2,2 KΩ	¼W		L ₂	= VK 200 1 wire
R ₂	= 4,7 KΩ	¼W		L ₃	= VK 200 2 wires
R ₃	= 1,0 KΩ	¼W		RI ₁	= Relè 12 V 4052
R ₄	= 4,7 KΩ	¼W		RI ₂	= Relè 12 V 3022
R ₅	= 100 Ω	¼W		Fuse	= 2x12A
R ₆	= 12 KΩ	¼W		S ₁	= Switch 3A (Pre ON)
R ₇	= 2,2 KΩ	¼W		S ₂	= Switch 3A (Lin ON)
R ₈	= 100 Ω	¼W		S ₃	= Switch 3A (SSB)
R ₁₀	= 180 Ω	2W		S ₄	= Switch 6 positions
R ₁₁	= 10 Ω	2W		T ₁	= Input transformer
R ₁₂	= 10 Ω	2W		T ₂	= Output transformer
R ₁₃	= 10 Ω	2W			
R ₁₄	= 47 Ω	2W			
R ₁₅	= 27 Ω	2W			
R ₁₆	= 100 Ω	2W			
R ₁₇	= 1,0 Ω	½W			
R ₁₈	= 12 KΩ	¼W			
R ₁₉	= 1,2 KΩ	¼W			
R ₂₀	= 68 Ω	2W			
R ₂₁	= 10 Ω	½W			
R ₂₂	= 10 Ω	½W			
R ₂₃	= 68 Ω	2W			
R ₂₄	= 1,0 KΩ	¼W			
R ₂₅	= 1,0 KΩ	¼W			