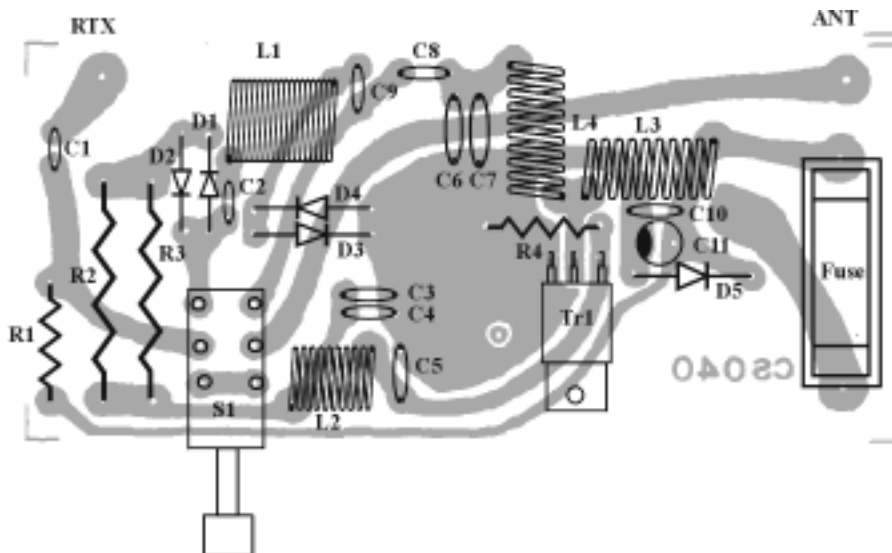
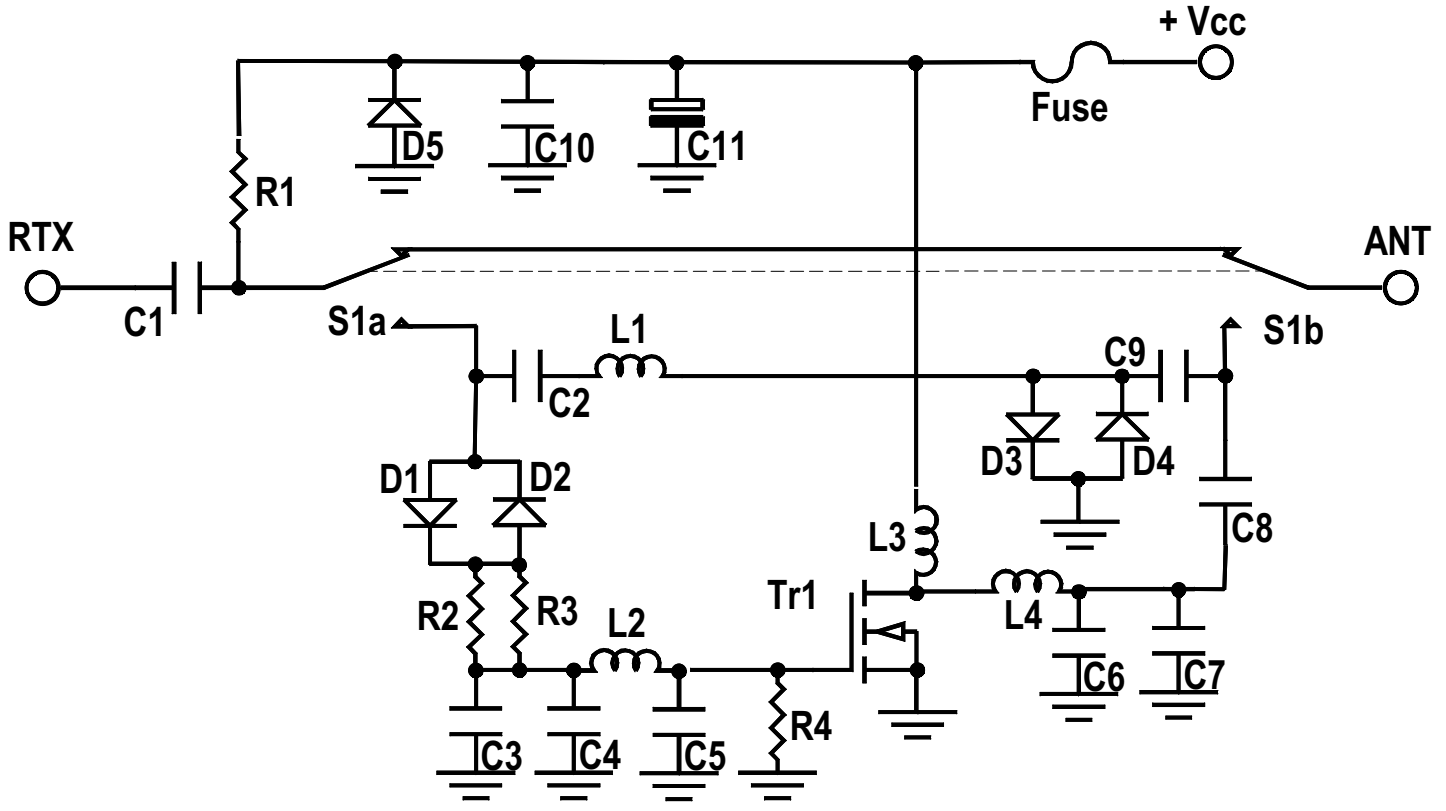


Mod. 40 linear amplifier

Schematic diagram

Version 3.00



List of components

C₁ = 10 nF 50 V
C₂ = 10 nF 50 V
C₃ = 180 pF 50 V N750
C₄ = 220 pF 50 V N750
C₅ = 220 pF 50 V N750
C₆ = 270 pF 50 V N750
C₇ = 100 pF 50 V N750
C₈ = 180 pF 50 V N750
C₉ = 33 pF 50 V N750
C₁₀ = 10 nF 50 V
C₁₁ = 10 μF 25 V
R₁ = 2,2 KΩ ¼W
R₂ = 68 Ω 2W
R₃ = 68 Ω 2W
R₄ = 330 Ω ¼W
D₁ = D₂ = D₃ = D₄ = 1N4148
D₅ = 1N4004
TR₁ = MOS RM3
Fuse = 5A
S₁ = Switch
L₁ = 17 turns φ 7 mm wire φ 0,63 mm
L₂ = 7 turns φ 5 mm wire φ 0,8 mm
L₃ = 12 turns φ 5 mm wire φ 0,8 mm
L₄ = 6 turns φ 5 mm wire φ 0,8 mm