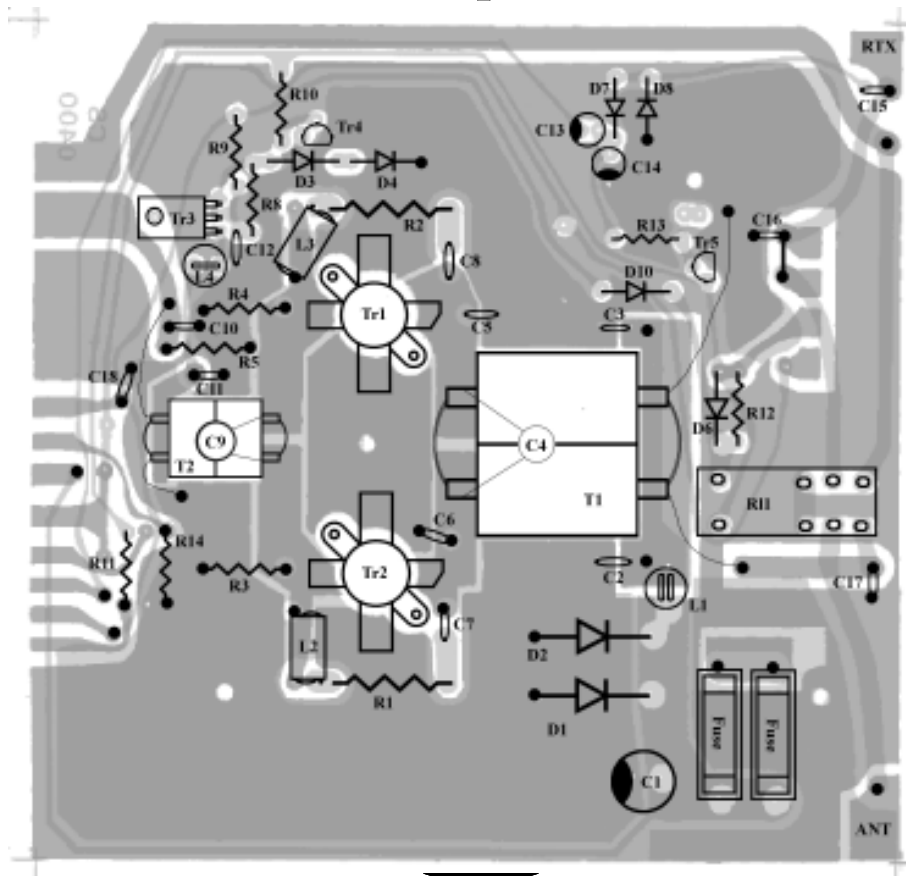
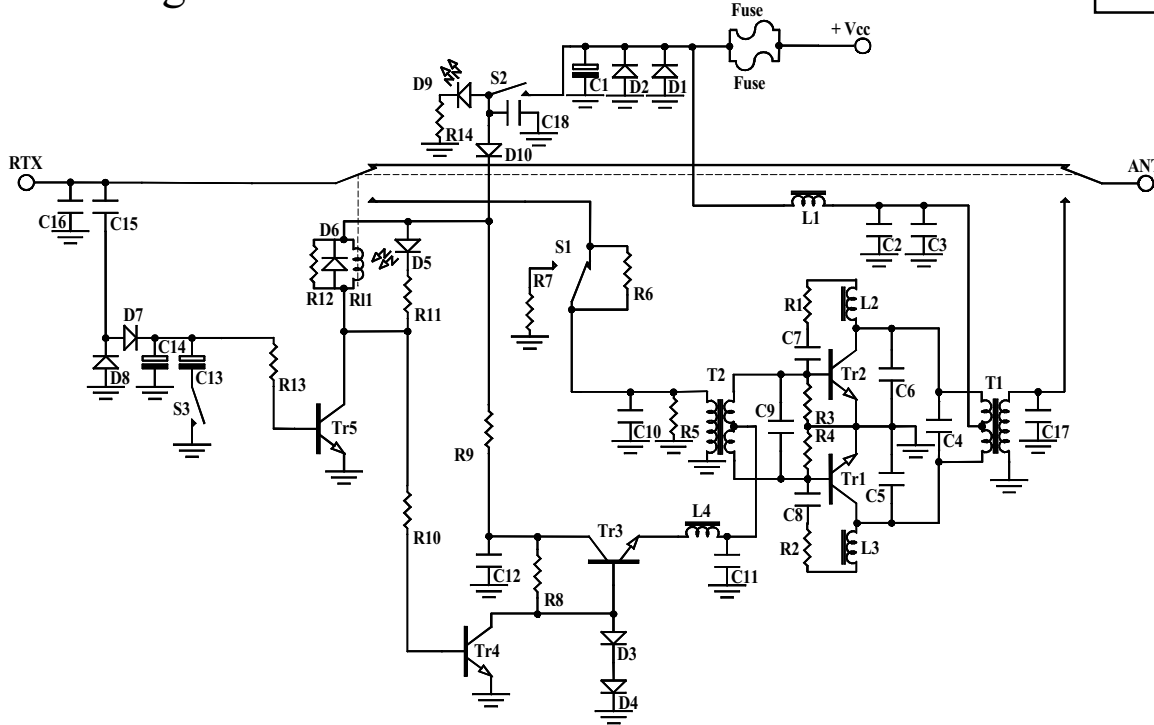


KL 351-24 linear amplifier

Schematic diagram

Version 1.30



List of components

C ₁	= 470 μ F	35 V	
C ₂	= 100 nF	50 V	
C ₃	= 100 nF	50 V	
C ₄	=		
C ₅	= 220 pF	500 V	N750
C ₆	= 220 pF	500 V	N750
C ₇	= 47 nF	50 V	
C ₈	= 47 nF	50 V	
C ₉	= 3 x 470 pF	50 V	N750
C ₁₀	= 150 pF	50 V	N750
C ₁₁	= 10 nF	50 V	
C ₁₂	= 100 nF	50 V	
C ₁₃	= 33 μ F	16 V	
C ₁₄	= 4,7 μ F	16 V	
C ₁₅	= 8,2 pF	50 V	
C ₁₆	= 22 pF	50 V	N750
C ₁₇	= 47 pF	500 V	N750
C ₁₈	= 10 nF	50 V	
R ₁	= 68 Ω	2W	
R ₂	= 68 Ω	2W	
R ₃	= 10 Ω	$\frac{1}{2}$ W	
R ₄	= 10 Ω	$\frac{1}{2}$ W	
R ₅	= 150 Ω	2W	
R ₆	= 47 Ω	2W	
R ₇	= 150 Ω	2W	
R ₈	= 3,3 K Ω	$\frac{1}{2}$ W	
R ₉	= 1,0 Ω	$\frac{1}{2}$ W	
R ₁₀	= 12 K Ω	$\frac{1}{4}$ W	
R ₁₁	= 2,2 K Ω	$\frac{1}{2}$ W	
R ₁₂	= 1,2 K Ω	$\frac{1}{2}$ W	
R ₁₃	= 2,2 K Ω	$\frac{1}{4}$ W	
R ₁₄	= 2,2 K Ω	$\frac{1}{2}$ W	
D ₁ = D ₂	= 1N5400		
D ₃ = D ₄ = D ₆ = D ₁₀	= 1N4004		
D ₇ = D ₈	= 1N4148		
D ₅	= LED red		
D ₉	= LED green		
Tr ₁ = Tr ₂	= SD 1407		
Tr ₃	= BD 179		
Tr ₄ = Tr ₅	= BC 547		
L ₁	= VK 200 2 wires		
L ₂ = L ₃	= VK 200 normal		
L ₄	= VK 200 1 wire		
RI ₁	= Relè 24 V 4052		
Fuse	= 2x8A		
S ₁	= Switch 3A (HI LOW)		
S ₂	= Switch 3A (Lin ON)		
S ₃	= Switch 3A (SSB)		

T₂ = Input transformer Filo cm.22T₁ = Output transformer Filo cm. 38