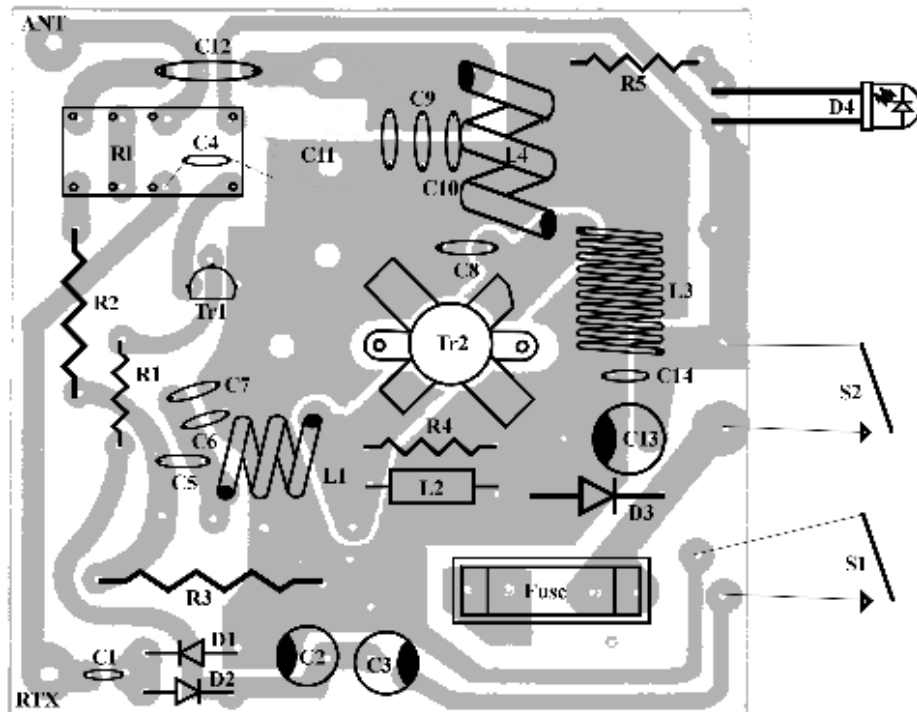
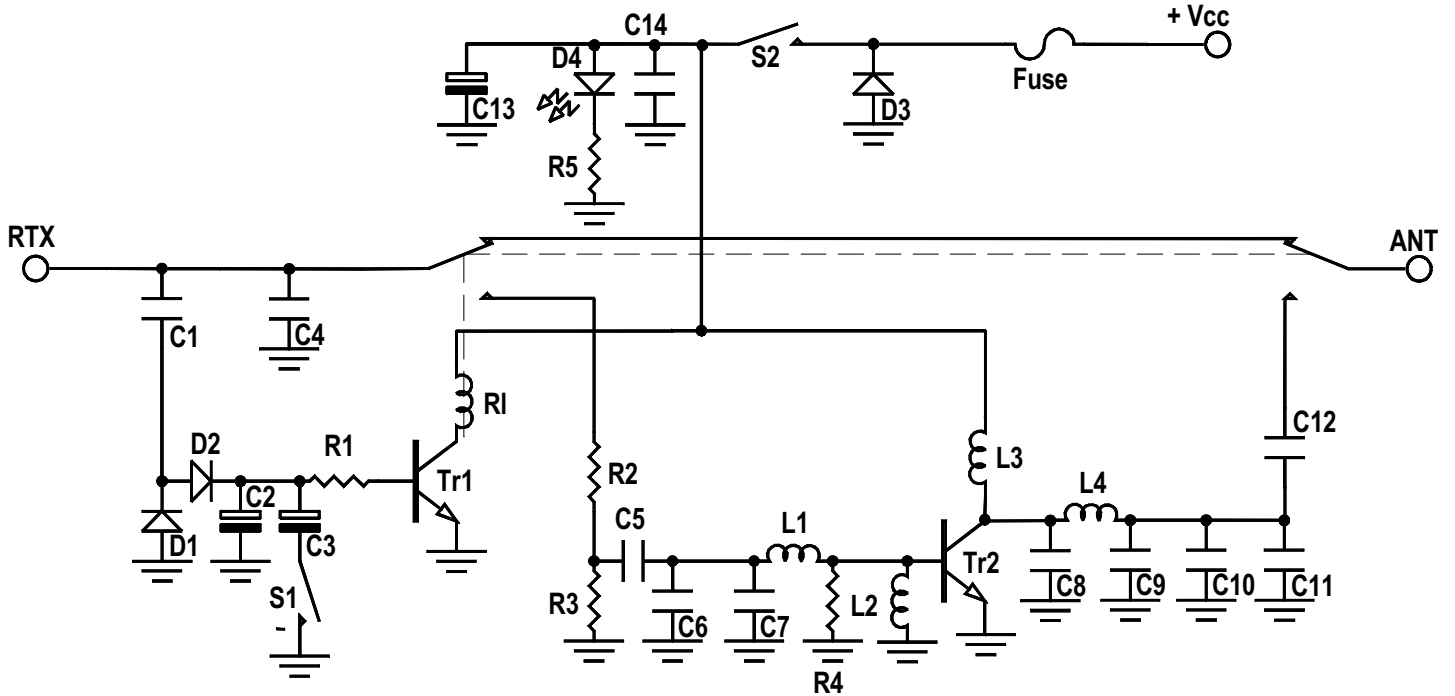


# Mod. KL 300 / 24 linear amplifier

Schematic diagram

Version 3.02



**List of components**

|                                 |                                |       |      |
|---------------------------------|--------------------------------|-------|------|
| C <sub>1</sub>                  | = 8,2 pF                       | 50 V  | N750 |
| C <sub>2</sub>                  | = 10 μF                        | 16 V  |      |
| C <sub>3</sub>                  | = 22 μF                        | 16 V  |      |
| C <sub>4</sub>                  | = 33 pF                        | 50 V  | N750 |
| C <sub>5</sub>                  | = 100 pF                       | 50 V  | N750 |
| C <sub>6</sub>                  | = 220 pF                       | 50 V  | N750 |
| C <sub>7</sub>                  | = 270 pF                       | 50 V  | N750 |
| C <sub>8</sub>                  | = 150 pF                       | 500 V | N750 |
| C <sub>9</sub>                  | = 180 pF                       | 500 V | N750 |
| C <sub>10</sub>                 | = 120 pF                       | 500 V | N750 |
| C <sub>11</sub>                 | = 120 pF                       | 500 V | N750 |
| C <sub>12</sub>                 | = 180 pF                       | 500 V | N750 |
| C <sub>13</sub>                 | = 22 μF                        | 35 V  |      |
| C <sub>14</sub>                 | = 100 nF                       | 50 V  |      |
| R <sub>1</sub>                  | = 2,2 KΩ                       | ¼W    |      |
| R <sub>2</sub>                  | = 15 Ω                         | 2W    |      |
| R <sub>3</sub>                  | = 180 Ω                        | 2W    |      |
| R <sub>4</sub>                  | = 10 Ω                         | ½W    |      |
| R <sub>5</sub>                  | = 2,2 KΩ                       | ½W    |      |
| D <sub>1</sub> = D <sub>2</sub> | = 1N4148                       |       |      |
| D <sub>3</sub>                  | = 1N5400                       |       |      |
| D <sub>4</sub>                  | = Led                          |       |      |
| TR <sub>1</sub>                 | = BC 547                       |       |      |
| TR <sub>2</sub>                 | = MRF 422                      |       |      |
| S <sub>1</sub>                  | = Switch (AM - SSB)            |       |      |
| S <sub>2</sub>                  | = Switch (ON - OFF)            |       |      |
| L <sub>1</sub>                  | = 3 turns φ 8 mm wire φ 0,8 mm |       |      |
| L <sub>2</sub>                  | = VK 200                       |       |      |
| L <sub>3</sub>                  | = 12 turns φ 6 mm wire φ 1 mm  |       |      |
| L <sub>4</sub>                  | = 4 turns φ 8 mm wire φ 1,2 mm |       |      |
| RI                              | = Relè 24 V 3022               |       |      |
| Fuse                            | = 10 A                         |       |      |