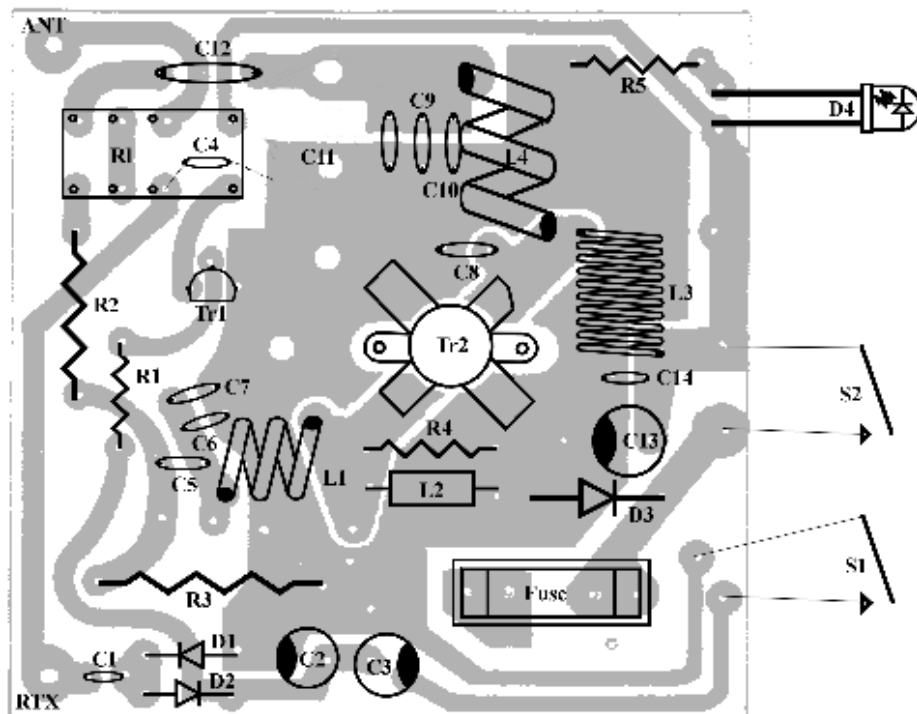
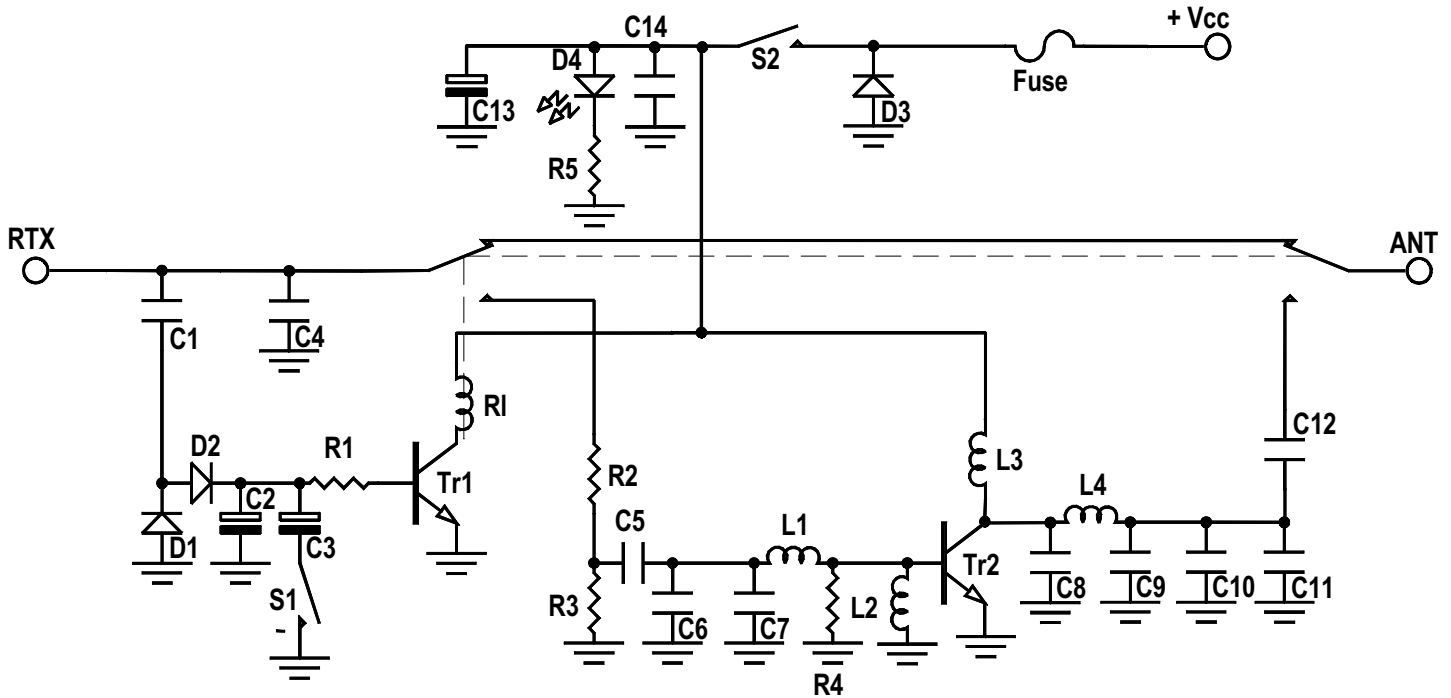


# Mod. KL 300 / 24 linear amplifier

Schematic diagram

Version 3.01



## List of components

C <sub>1</sub>	= 8,2 pF	50 V	N750
C <sub>2</sub>	= 10 μF	16 V	
C <sub>3</sub>	= 22 μF	16 V	
C <sub>4</sub>	= 33 pF	50 V	N750
C <sub>5</sub>	= 100 pF	50 V	N750
C <sub>6</sub>	= 220 pF	50 V	N750
C <sub>7</sub>	= 270 pF	50 V	N750
C <sub>8</sub>	= 150 pF	500 V	N750
C <sub>9</sub>	= 180 pF	500 V	N750
C <sub>10</sub>	= 120 pF	500 V	N750
C <sub>11</sub>	= 120 pF	500 V	N750
C <sub>12</sub>	= 180 pF	500 V	N750
C <sub>13</sub>	= 22 μF	35 V	
C <sub>14</sub>	= 100 nF	50 V	
R <sub>1</sub>	= 2,2 KΩ	¼W	
R <sub>2</sub>	= 15 Ω	2W	
R <sub>3</sub>	= 100 Ω	2W	
R <sub>4</sub>	= 10 Ω	½W	
R <sub>5</sub>	= 2,2 KΩ	½W	
D <sub>1</sub> = D <sub>2</sub>	= 1N4148		
D <sub>3</sub>	= 1N5400		
D <sub>4</sub>	= Led		
TR <sub>1</sub>	= BC 547		
TR <sub>2</sub>	= SD 1407		
S <sub>1</sub>	= Switch (AM - SSB)		
S <sub>2</sub>	= Switch (ON - OFF)		
L <sub>1</sub>	= 3 turns φ 8 mm wire φ 0,8 mm		
L <sub>2</sub>	= VK 200		
L <sub>3</sub>	= 12 turns φ 6 mm wire φ 1 mm		
L <sub>4</sub>	= 4 turns φ 8 mm wire φ 1,2 mm		
RI	= Relè 24 V 3022		
Fuse	= 10 A		