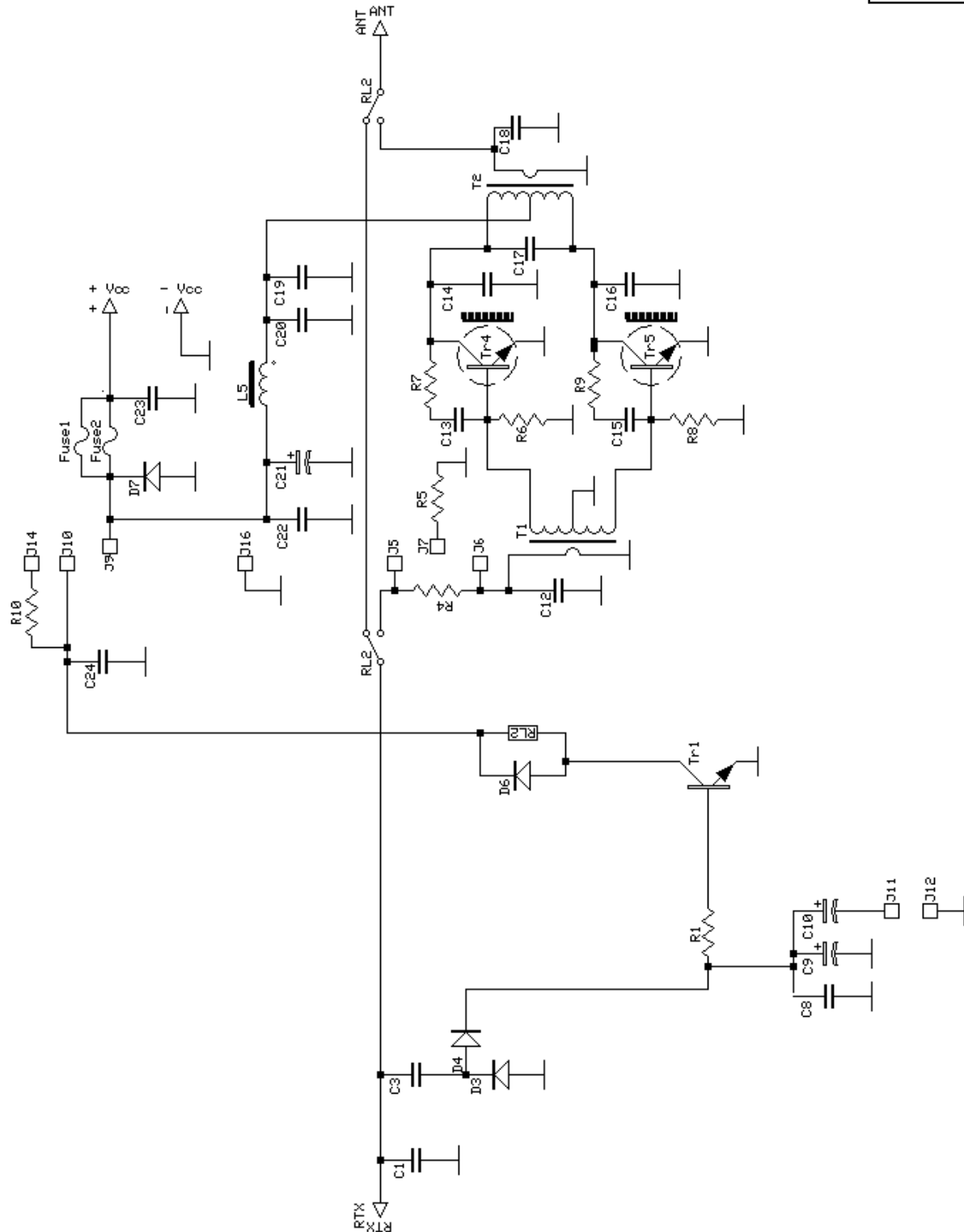
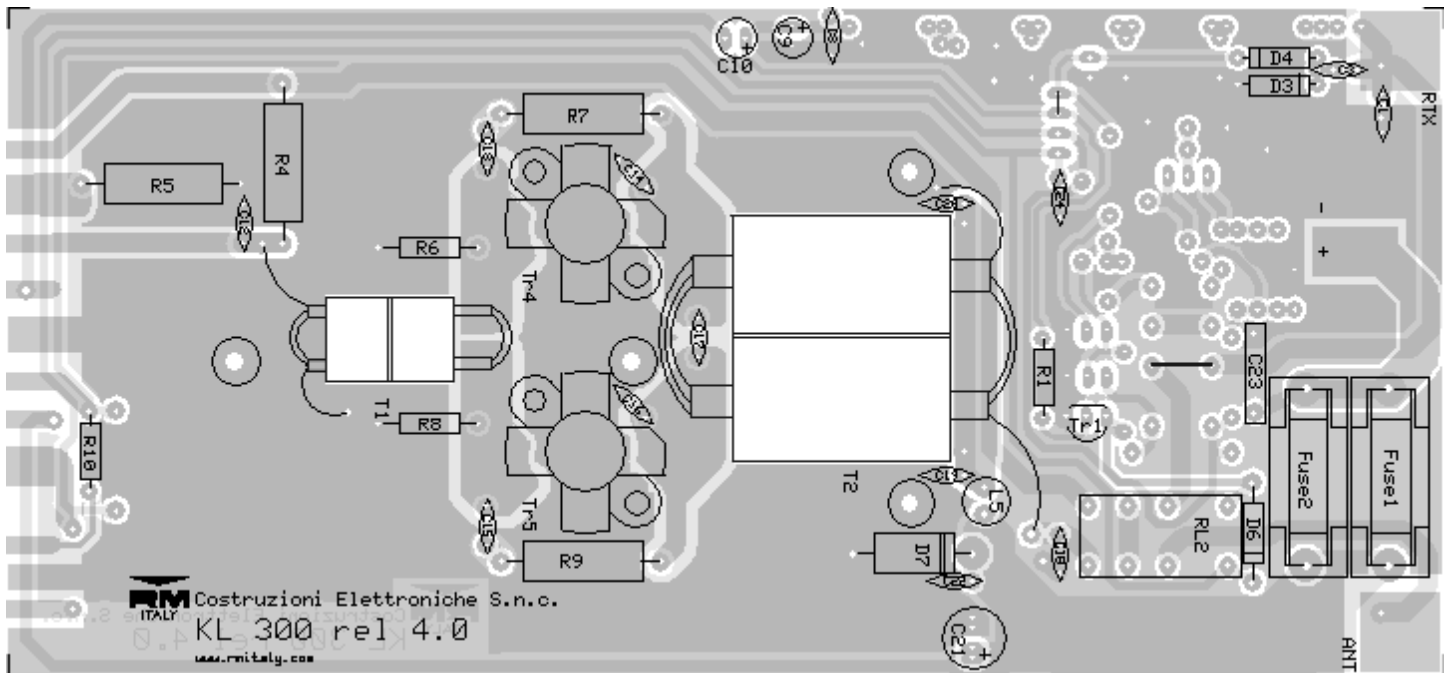


Mod. KL 300 linear amplifier

Schematic diagram

Version 4.00





List of components

C 1	= 33 pF	50 V	N750		D 6	= 1N4007
C 3	= 8,2 pF	50 V	N750		D 7	= 1N5400
C 8	= 10 nF	50 V			Tr1	= BC 547
C 9	= 4,7 μ F	16 V			Tr4	= SD 1446
C 10	= 33 μ F	16 V			Tr5	= SD 1446
C 12	= 150 pF	50 V	N750		L 5	= VK 200 2 Wires
C 13	= 47 nF	50 V			T 1	= Input Transformer
C 14	= 180 pF	500 V	N750		T 2	= Output Transformer
C 15	= 47 nF	50 V			Rb	= Relè 12 V 3022
C 16	= 180 pF	500 V	N750		Fuse	= 2 x 12 A
C 17	= 2 x 220 + 270 pF	500 V	N750			
C 18	= 47 pF	500 V	N750			
C 19	= 100 nF	50 V				
C 20	= 100 nF	50 V				
C 21	= 470 μ F	16V				
C 22	= 100 nF	50 V				
C 23	= 470 nF	63 V		Polyester		
C 24	= 100 nF	50 V				
R 1	= 2,2 K Ω	1/4W				
R 4	= 27 Ω	2W				
R 5	= 180 Ω	2W				
R 6	= 10 Ω	1/2W				
R 7	= 68 Ω	2W				
R 8	= 10 Ω	1/2W				
R 9	= 68 Ω	2W				
R 10	= 1,0 K Ω	1/4W				
D 3	= 1N4148					
D 4	= 1N4148					