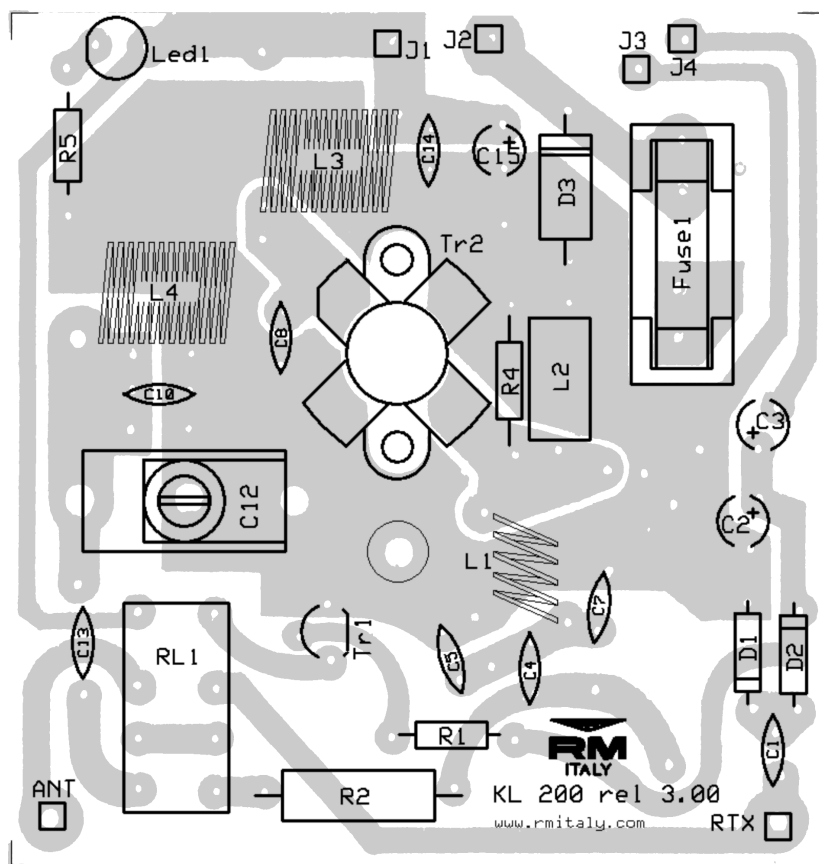
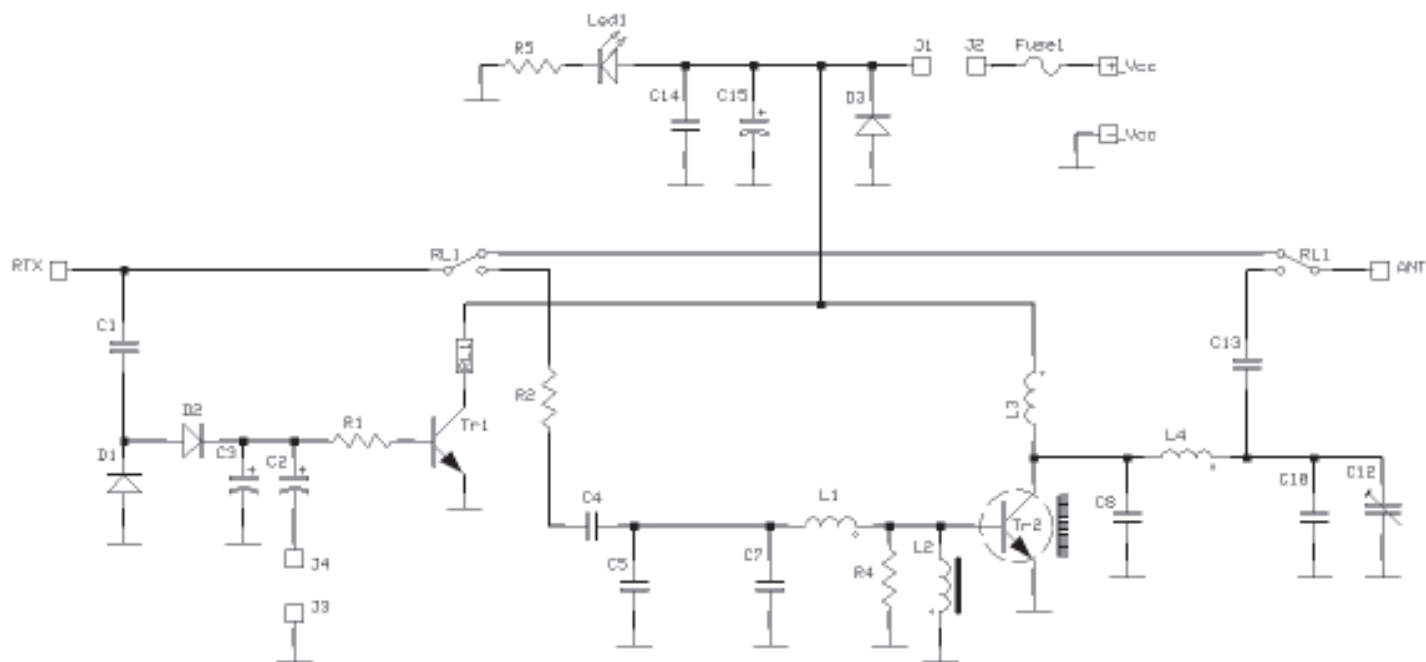


Mod. 243 linear amplifier

Schematic diagram

Version 2.00



List of components

C ₁	= 8,2 pF	50 V	N750
C ₂	= 4,7 μF	16 V	
C ₃	= 22 μF	16 V	
C ₄	= 82 pF	50 V	NP0
C ₅	= 220 pF	50 V	N750
C ₇	= 56 pF	50 V	N750
C ₈	= 120 pF	500 V	N750
C ₁₀	= 220 pF	500 V	N750
C ₁₂	= Trimmer	150 pF	
C ₁₃	= 68 pF	500 V	N750
C ₁₄	= 100 nF	50 V	
C ₁₅	= 22 μF	16 V	
R ₁	= 2,2 KΩ	¼W	
R ₂	= 10 Ω	2W	
R ₄	= 10 Ω	½W	
R ₅	= 1,0 KΩ	¼W	
D ₁	= 1N4148		
D ₂	= 1N4148		
D ₃	= 1N5400		
Led ₁	= Led		
TR ₁	= BC 547		
TR ₂	= SD 1446		
L ₁	= 3 Turns φ 5 mm Wire φ 0,8 mm		
L ₂	= 10 μH		
L ₃	= 12 turns φ 6 mm wire φ 1 mm		
L ₄	= 2 turns φ 8 mm wire φ 1,2 mm		
RI	= Relè 12 V 3022		
Fuse ₁	= 12 A		