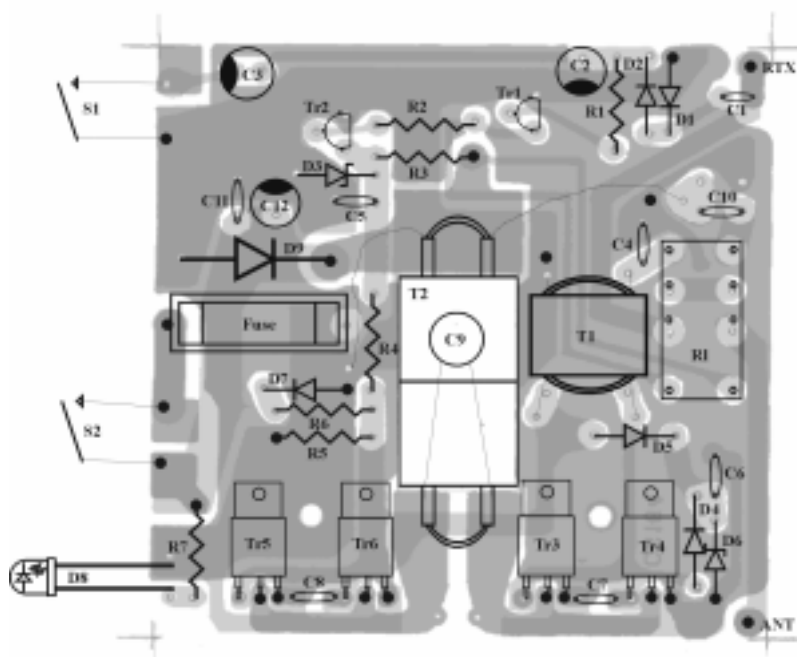
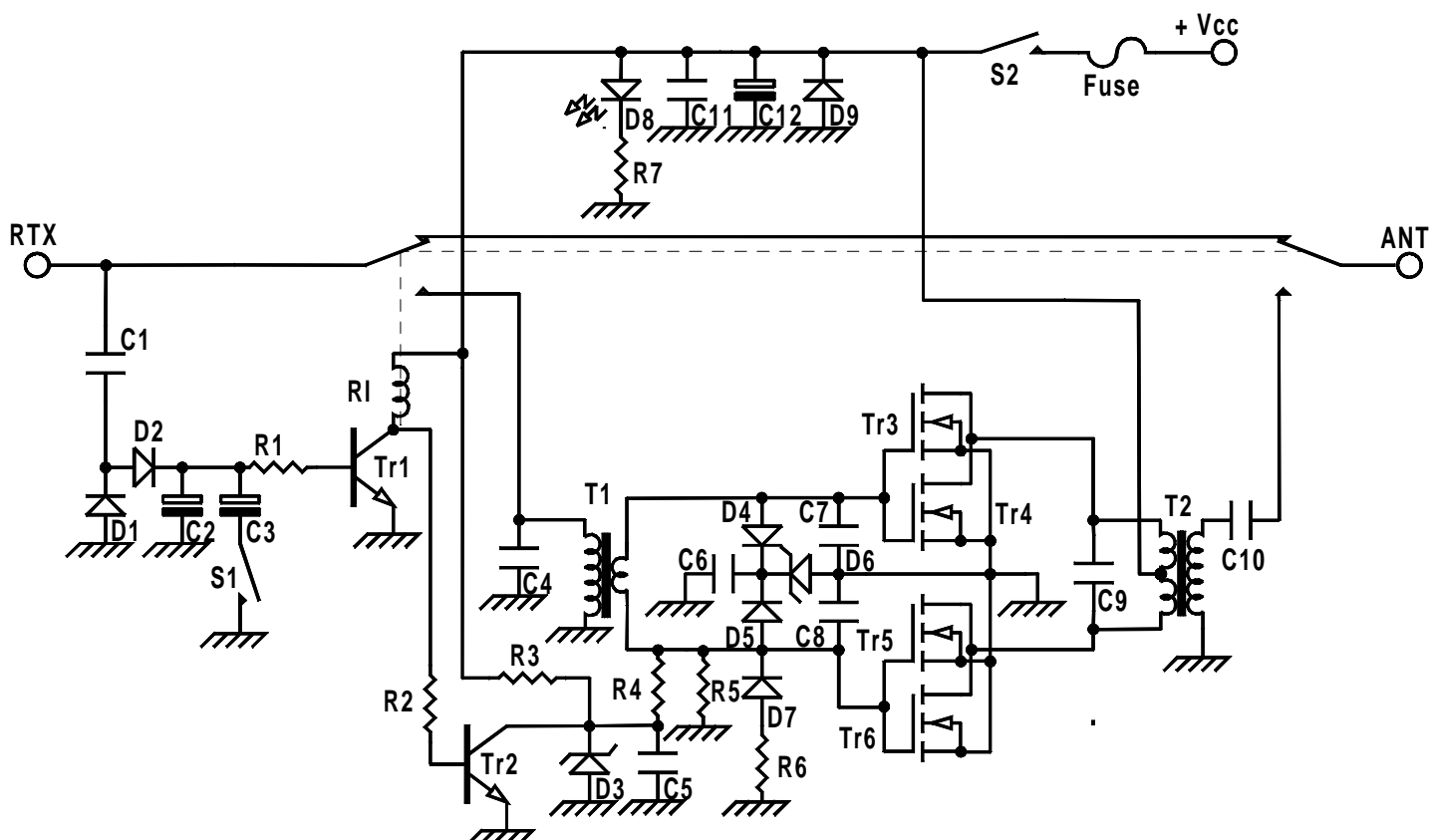


Mod. 163 linear amplifier

Schematic diagram

Version 3.00



List of components

C ₁	= 8,2 pF	50 V	N750	
C ₂	= 4,7 μF	16 V		
C ₃	= 33 μF	16 V		
C ₄	= 120 pF	50 V	N750	
C ₅	= 10 nF	50 V		
C ₆	= 10 nF	50 V		
C ₇	= 270 pF	50 V	N750	
C ₈	= 270 pF	50 V	N750	
C ₉	= 120 + 47 + 100 pF	500 V	N750	
C ₁₀	= 180 pF	500 V	N750	
C ₁₁	= 100 nF	50 V		
C ₁₂	= 47 μF	16 V		
R ₁	= 2,2 KΩ	¼W		
R ₂	= 12 KΩ	¼W		
R ₃	= 1,0 KΩ	¼W		
R ₄	= 10 KΩ	¼W		
R ₅	= 3,3 KΩ	½W		
R ₆	= 1,0 KΩ	½W		
R ₇	= 1,0 KΩ	¼W		
D ₁ = D ₂ = D ₄ = D ₅ = D ₇	= 1N4148			
D ₃	= Zener 7,5 V ½W			
D ₆	= Zener 20 V 1W			
D ₈	= LED			
D ₉	= 1N5400			
Tr ₁ = Tr ₂	= BC 547			
Tr ₃ = Tr ₄ = Tr ₅ = Tr ₆	= MOS RM3			
RI	= Relè 12 V 3022			
Fuse	= 12A			
S ₁	= Switch 3A (AM SSB)			
S ₂	= Switch 3A (ON OFF)			
T ₁	= Input transformer			
T ₂	= Output transformer			