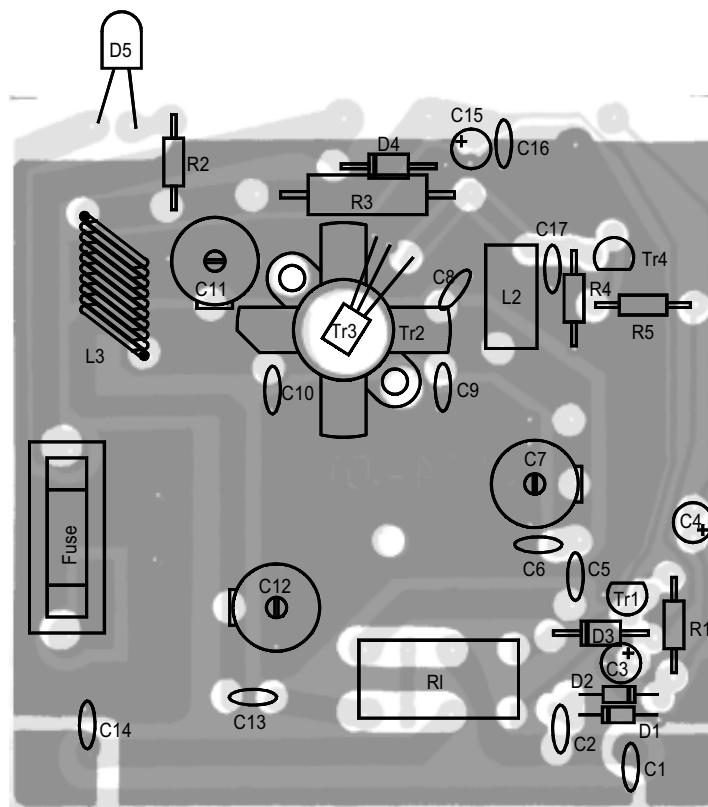
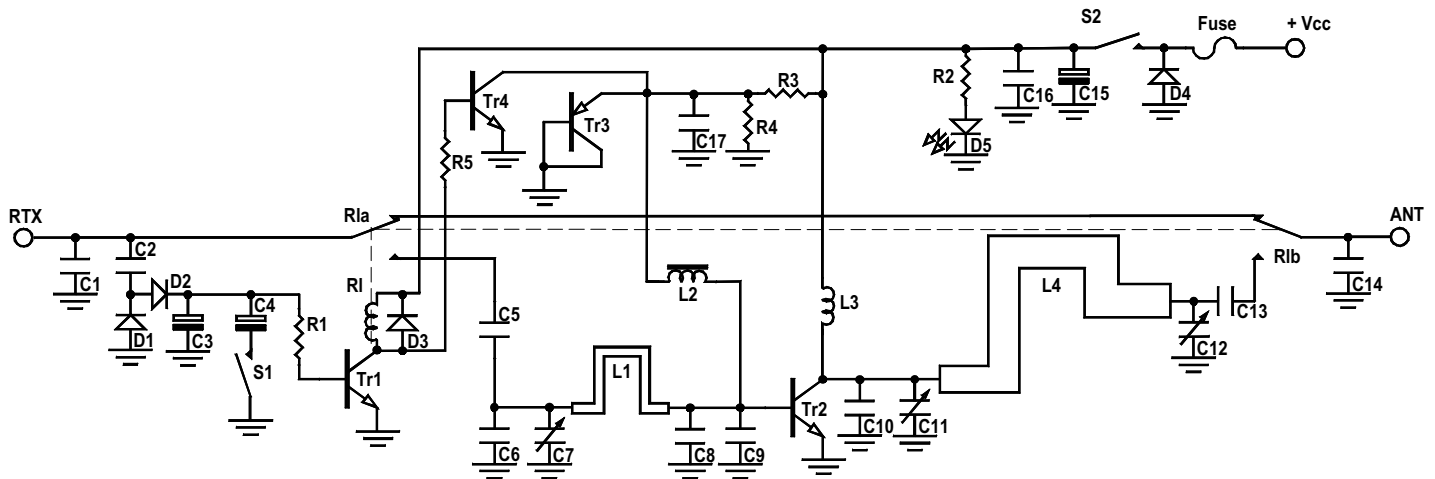


# Mod. 155 linear amplifier

Schematic diagram

Version 2.00



**List of components**

C <sub>1</sub>	= 3,3 pF	50 V	N750
C <sub>2</sub>	= 2,2 pF	50 V	N750
C <sub>3</sub>	= 2,2 μF	16 V	
C <sub>4</sub>	= 22 μF	16 V	
C <sub>5</sub>	= 100 pF	50 V	N750
C <sub>6</sub>	= 47 pF	50 V	N750
C <sub>7</sub>	= Trimmer	10 - 80 pF	
C <sub>8</sub>	= 47 pF	50 V	N750
C <sub>9</sub>	= 47 pF	50 V	N750
C <sub>10</sub>	= 68 pF	500 V	N750
C <sub>11</sub>	= Trimmer	10 - 80 pF	
C <sub>12</sub>	= Trimmer	10 - 80 pF	
C <sub>13</sub>	= 22 pF	500 V	N750
C <sub>14</sub>	= 3,3 pF	50 V	N750
C <sub>15</sub>	= 47 μF	16 V	
C <sub>16</sub>	= 10 nF	50 V	
C <sub>17</sub>	= 10 nF	50 V	
R <sub>1</sub>	= 2,2 KΩ	¼W	
R <sub>2</sub>	= 1,0 KΩ	¼W	
R <sub>3</sub>	= 120 Ω	2W	
R <sub>4</sub>	= 10 Ω	½W	
R <sub>5</sub>	= 12 KΩ	¼W	
D <sub>1</sub> = D <sub>2</sub>	= 1N4148		
D <sub>3</sub> = D <sub>4</sub>	= 1N4004		
D <sub>5</sub>	= Led rosso		
Tr <sub>1</sub> = Tr <sub>4</sub>	= BC 547		
Tr <sub>2</sub>	= SD1446		
Tr <sub>3</sub>	= BC 557		
L <sub>1</sub>	= Strip line		
L <sub>2</sub>	= VK 200		
L <sub>3</sub>	= 12 turns φ 6 mm wire φ 1 mm		
L <sub>4</sub>	= Strip line		
RI	= Relè 12 V 3022		
Fuse	= 5 A		
S <sub>1</sub>	= Switch (SSB - FM)		
S <sub>2</sub>	= Switch (ON - OFF)		