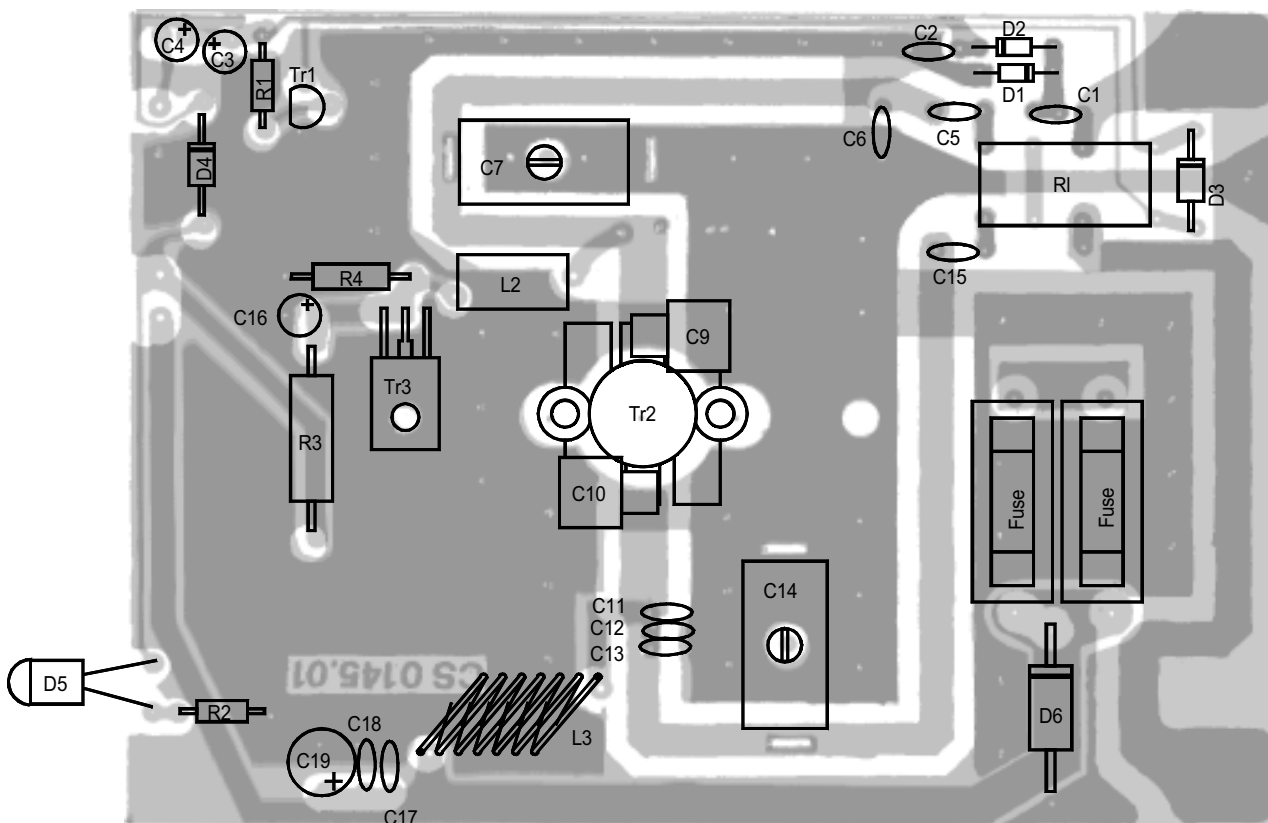
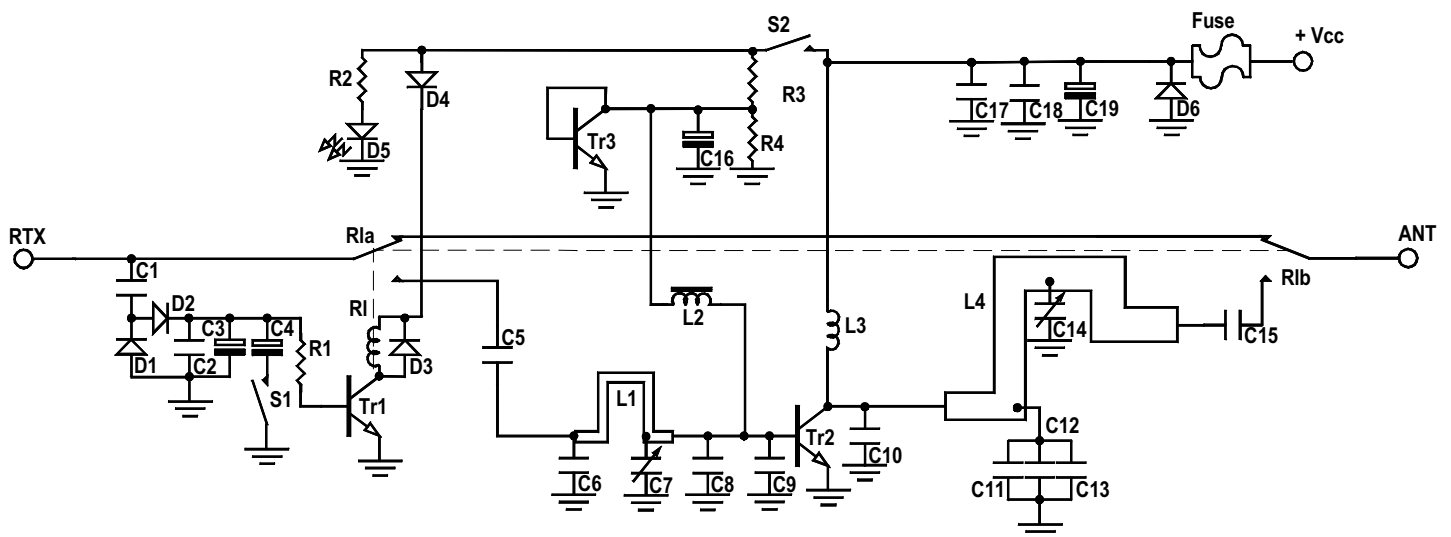


Mod. 145 H linear amplifier

Schematic diagram

Version 1.00



List of components

C₁ = 2,2 pF 50 V
 C₂ = 10 nF 50 V
 C₃ = 4,7 μF 16 V
 C₄ = 33 μF 16 V
 C₅ = 150 pF 500 V N750
 C₆ = 22 pF 500 V N750
 C₇ = Trimmer 10 - 100 pF + 33+47 pF 500 V NP0
 C₈ =
 C₉ = 390 pF 500 V mica
 C₁₀ = 390 pF 500 V mica
 C₁₁ = 22 pF 500 V N750
 C₁₂ = 33 pF 500 V N750
 C₁₃ = 22 pF 500 V N750
 C₁₄ = Trimmer 10 - 100 pF
 C₁₅ = 180 pF 500 V N750
 C₁₆ = 33 μF 16 V
 C₁₇ = 100 nF 50 V
 C₁₈ = 10 nF 50 V
 C₁₉ = 470 μF 16 V
 R₁ = 2,2 KΩ ¼W
 R₂ = 1,0 KΩ ¼W
 R₃ = 100 Ω 2W
 R₄ = 18 Ω ½W
 D₁ = D₂ = 1N4148
 D₃ = D₄ = 1N4004
 D₅ = Led
 D₆ = 1N5400
 Tr₁ = BC 547
 Tr₂ = SD1477
 Tr₃ = BD179
 L₁ = Strip line
 L₂ = VK200
 L₃ = 4 turns φ 8 mm wire φ 1 mm
 L₄ = Strip line
 Rl = Relè 12 V 3022
 Fuse = 2 x 8A
 S₁ = switch 3A (AM - SSB)
 S₂ = Interruttore 3A (ON - OFF)