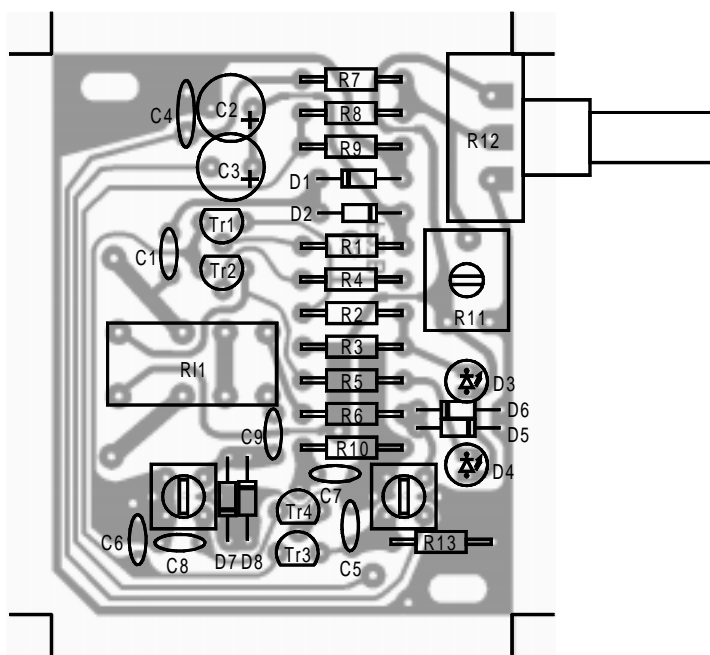
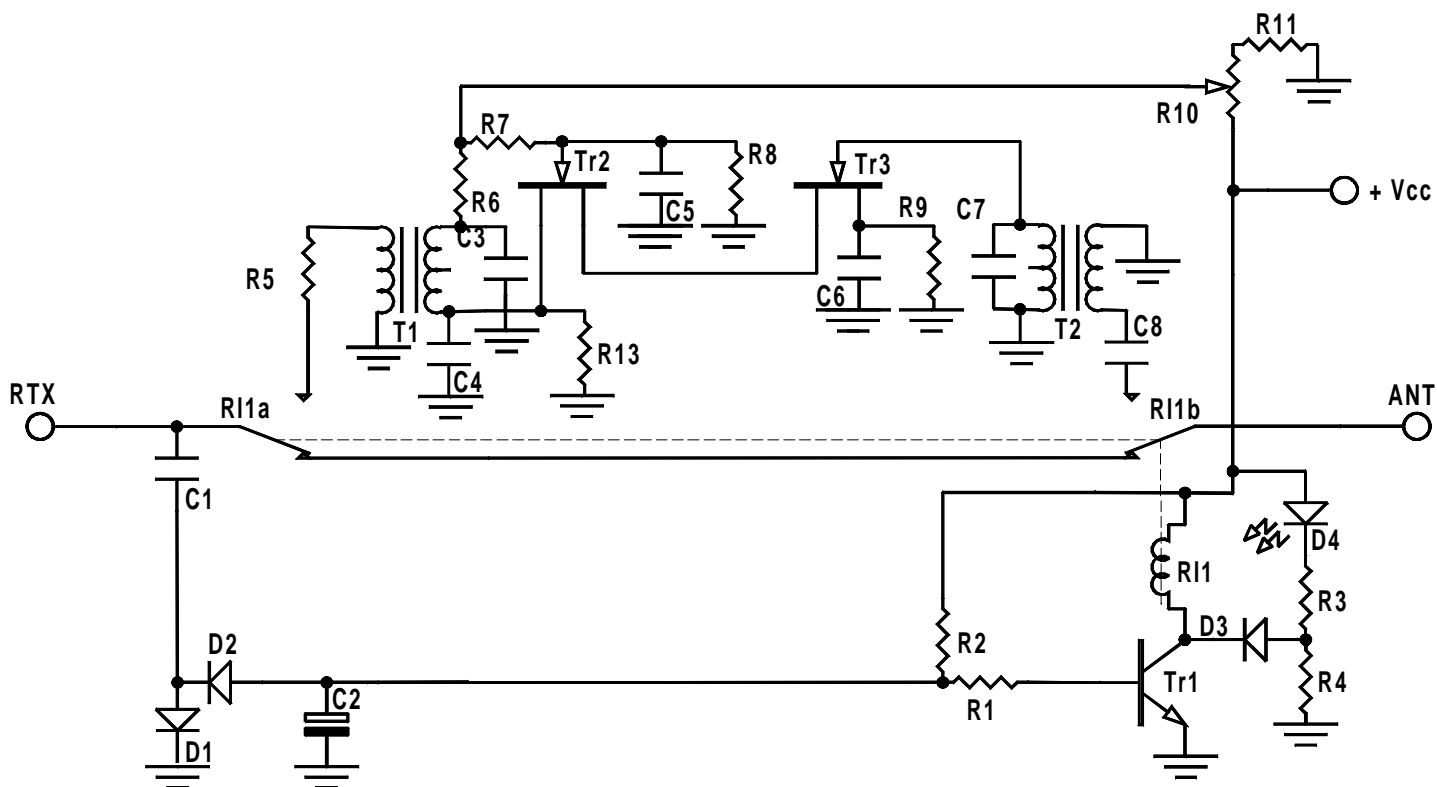


Mod. KEV 27 antenna preamplifier

Schematic diagram

Version 1.00



List of components

C ₁	=	3,3 pF	50 V
C ₂	=	4,7 μF	16 V
C ₃	=	47 μF	16 V
C ₄	=	10 nF	50 V
C ₅	=	33 pF	50 V
C ₆	=	10 nF	50 V
C ₇	=	10 nF	50 V
C ₈	=	33 pF	50 V
C ₉	=	10 nF	50 V
R ₁	=	3,9 KΩ	¼ W
R ₂	=	680 Ω	¼ W
R ₃	=	680 Ω	¼ W
R ₄	=	4,7 KΩ	¼ W
R ₅	=	680 Ω	¼ W
R ₆	=	18 Ω	½ W
R ₇	=	470 Ω	¼ W
R ₈	=	56 KΩ	¼ W
R ₉	=	22 KΩ	¼ W
R ₁₀	=	180 Ω	¼ W
R ₁₁	=	Trimmer 10 KΩ	
R ₁₂	=	Potentiometer 4,7 KΩ	
R ₁₃	=	220 KΩ	¼ W
D ₁	=	1N 4148	
D ₂	=	1N 4148	
D ₃	=	Led (Red TX)	
D ₄	=	Led (Green RX)	
D ₅	=	1N 4148	
D ₆	=	1N 4148	
D ₇	=	1N 4148	
D ₈	=	1N 4148	
Tr ₁	=	BC 547	
Tr ₂	=	BC 547	
Tr ₃	=	BF 245	
Tr ₄	=	BF 245	
Rel ₁	=	Relay type 3022	
S ₁	=	Switch 3A (AM SSB)	
S ₂	=	Switch 3A (ON OFF)	